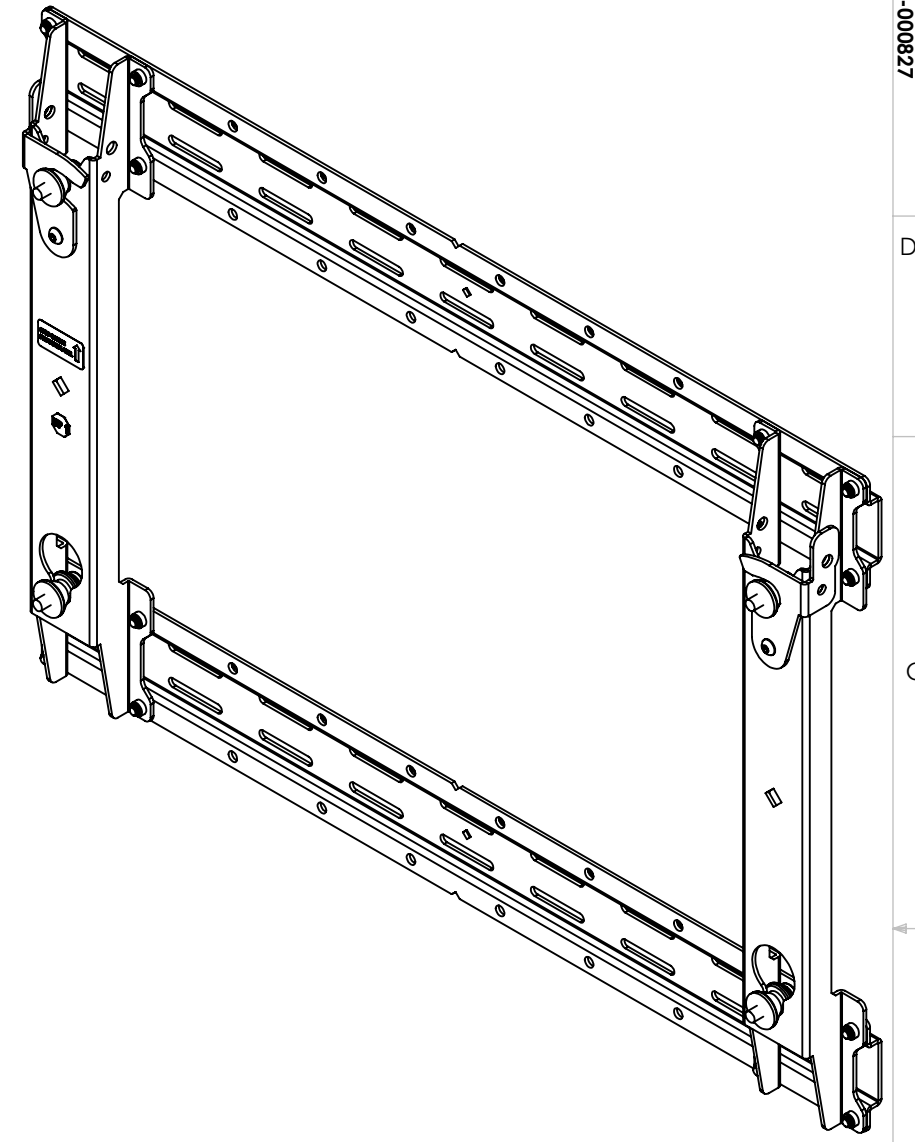
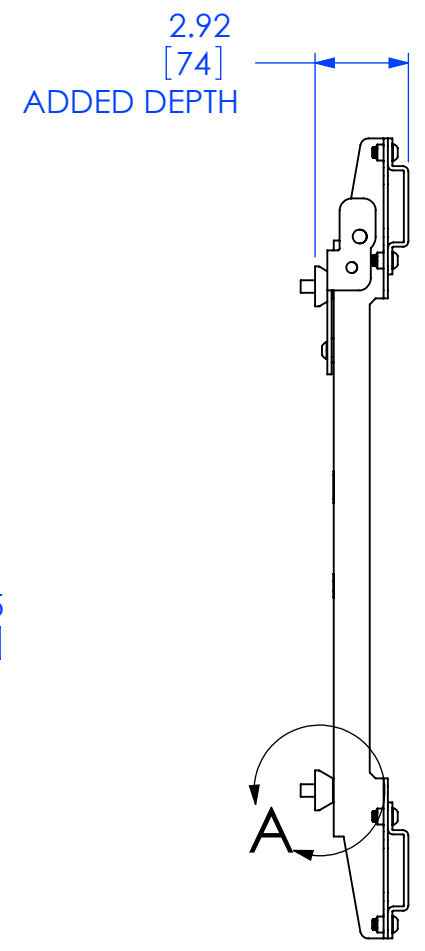
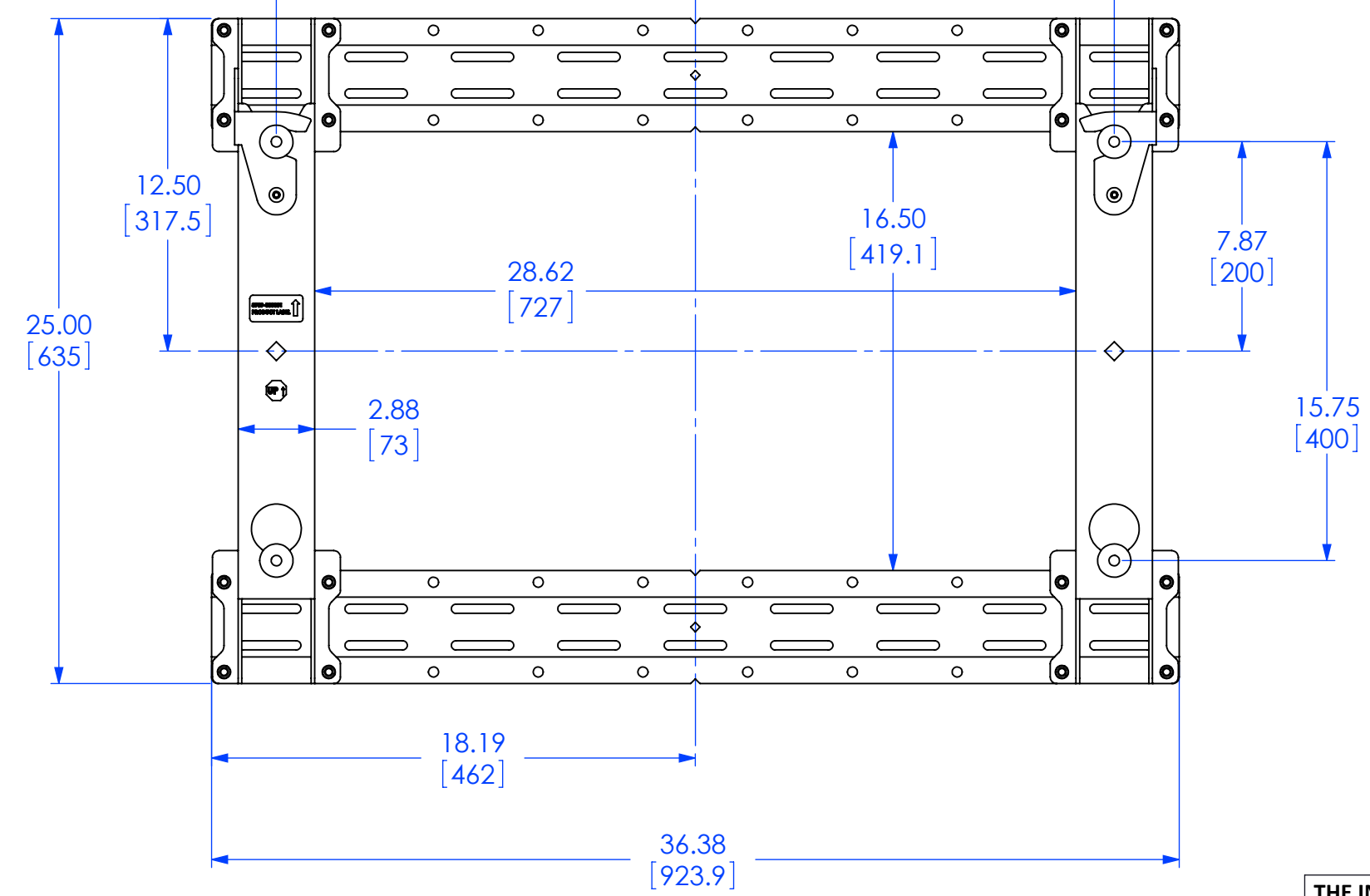
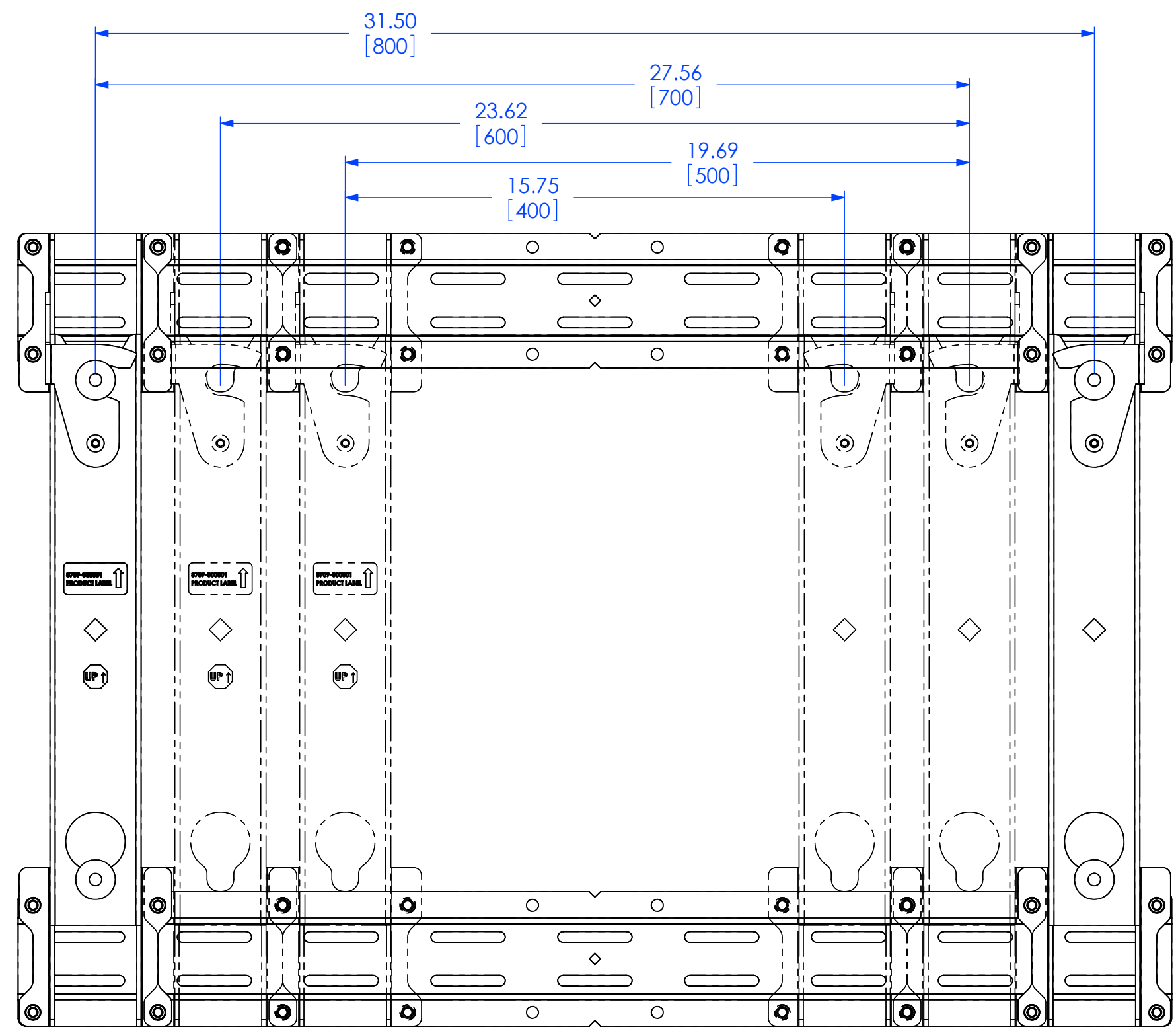


VERTICAL BRACKETS CAN BE SET TO A WIDTH OF 800mm, 700mm, 600mm, 500mm, OR 400mm



THE INFORMATION AND DESIGNS CONTAINED IN THIS DRAWING ARE CONFIDENTIAL AND THE PROPRIETARY PROPERTY OF MILESTONE AV TECHNOLOGIES NEITHER THIS DESIGN NOR ANY INFORMATION CONTAINED IN THIS DRAWING MAY BE REPRODUCED OR DISCLOSED TO OTHERS WITHOUT THE EXPRESS WRITTEN CONSENT OF MILESTONE AV TECHNOLOGIES.

CAD GENERATED DRAWING, DO NOT MANUALLY UPDATE.				6436 CITY WEST PKWY EDEN PRAIRIE MN, 55344 PHONE: 866-977-3901 FAX: 877-894-6918	
DRAWN BY	JF	1/10/2017		DESCRIPTION HEAVY DUTY MOUNT, 800 X 400, 1/4-20	
ENG APPROVAL			MODEL NO. PSMH2744		
MFG APPROVAL			SIZE	DWG. NO.	REV.
QA APPROVAL			B	TECH-000827	00
SHEET 1 OF 2			SCALE		
			1:6		



THE INFORMATION AND DESIGNS CONTAINED IN THIS DRAWING ARE CONFIDENTIAL AND THE PROPRIETARY PROPERTY OF MILESTONE AV TECHNOLOGIES NEITHER THIS DESIGN NOR ANY INFORMATION CONTAINED IN THIS DRAWING MAY BE REPRODUCED OR DISCLOSED TO OTHERS WITHOUT THE EXPRESS WRITTEN CONSENT OF MILESTONE AV TECHNOLOGIES.

CAD GENERATED DRAWING, DO NOT MANUALLY UPDATE.			6436 CITY WEST PKWY EDEN PRAIRIE MN, 55344 PHONE: 866-977-3901 FAX: 877-894-6918
DRAWN BY	JF	1/10/2017	
ENG APPROVAL			DESCRIPTION HEAVY DUTY MOUNT, 800 X 400, 1/4-20
MFG APPROVAL			MODEL NO. PSMH2744
QA APPROVAL			SIZE DWG. NO. REV. B TECH-000827 00
SHEET 2 OF 2			SCALE 1:4