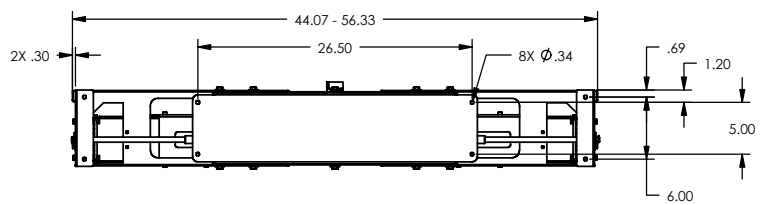
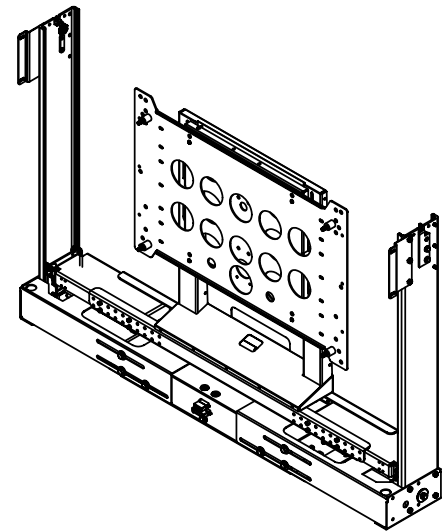
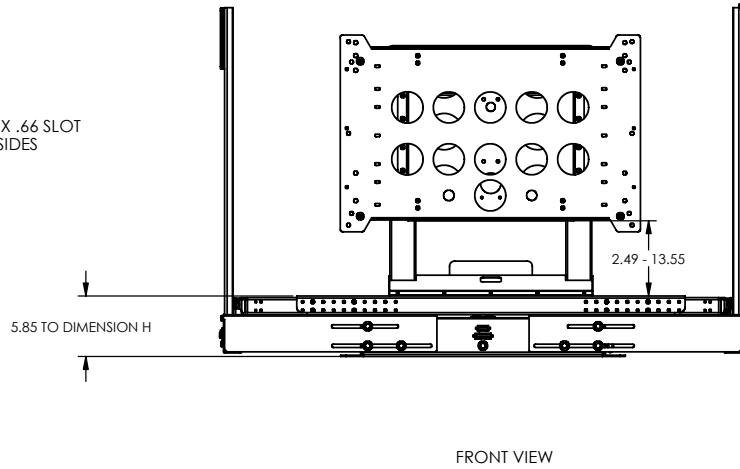
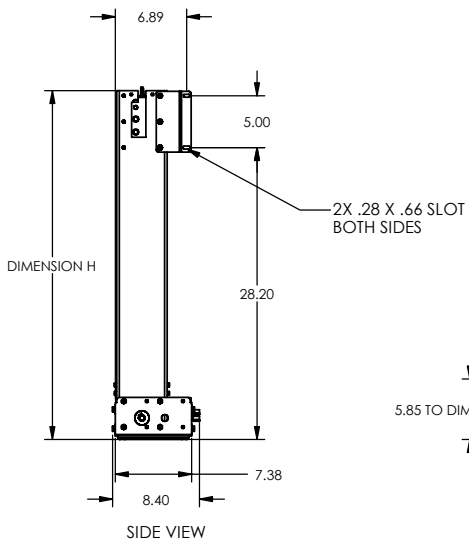


PUL-4228 PSB 2022



**CHIEF MANUFACTURING INC.**  
**MOUNT ORDER NUMBER IS PUL-4228 PSB2022**  
**PHONE: 1-800-582-6480**

THE INFORMATION AND DESIGNS CONTAINED IN THIS DRAWING ARE CONFIDENTIAL AND THE PROPRIETARY PROPERTY OF CHIEF MFG., INC. NEITHER THIS DESIGN NOR ANY INFORMATION CONTAINED IN THIS DRAWING MAY BE REPRODUCED OR DISCLOSED TO OTHERS WITHOUT THE EXPRESS WRITTEN CONSENT OF CHIEF MFG., INC.

**CHIEF** MANUFACTURING, INC.  
 12800 HWY 13 SOUTH STE. 500 \* SAVAGE, MN 55378  
 1.800.582.6480 \* Fax 1.877.894.6918

TITLE  
**CUSTOMER PRINT ASSEMBLY, POP-UP LIFT PUL-4228 PSB2022**

SIZE DWG. NO.  
**B PUL-4228 PSB2022**

PUL-4228 PSB 2022