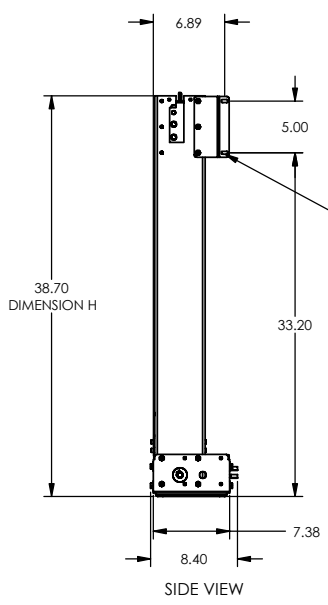
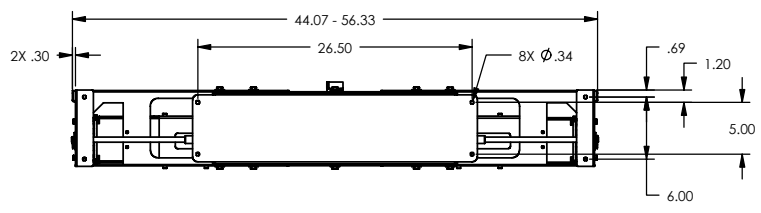
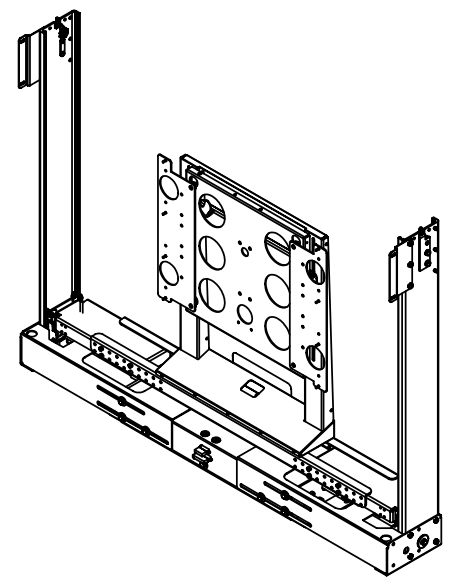
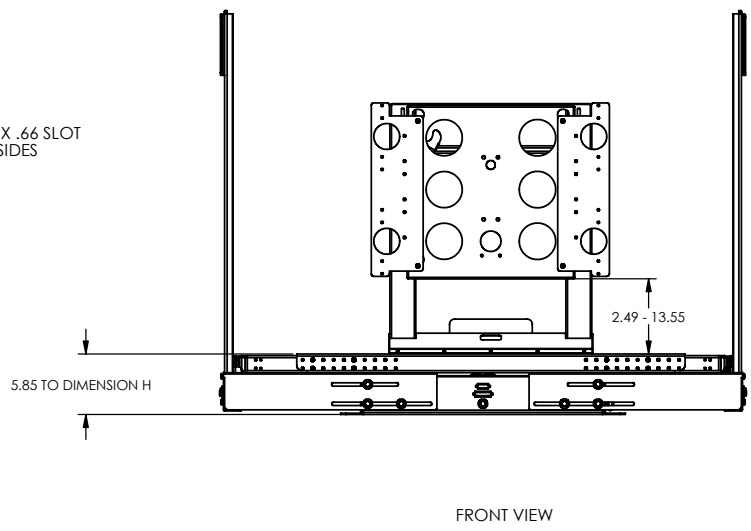


PUL-4233 PSB-2042

1 2 3 4 5 6 7 8



2X .28 X .66 SLOT BOTH SIDES



**CHIEF MANUFACTURING INC.**  
**MOUNT ORDER NUMBER IS PUL-4233 PSB-2042**  
**PHONE: 1-800-582-6480**

THE INFORMATION AND DESIGNS CONTAINED  
 IN THIS DRAWING ARE CONFIDENTIAL AND THE  
 PROPRIETARY PROPERTY OF CHIEF MFG., INC.  
 NEITHER THIS DESIGN NOR ANY INFORMATION  
 CONTAINED IN THIS DRAWING MAY BE  
 REPRODUCED OR DISCLOSED TO OTHERS  
 WITHOUT THE EXPRESS WRITTEN CONSENT OF  
 CHIEF MFG., INC.

 <b>CHIEF</b> MANUFACTURING, INC. <small>12800 HWY 13 SOUTH STE. 500 * SAUSAGE, MN 55378        1.800.582.6480 * Fax 1.877.894.6918</small>	
<small>TITLE</small> <b>CUSTOMER PRINT        ASSEMBLY, POP-UP LIFT        PUL-4233 PSB-2042</b>	
<small>SIZE</small> <b>B</b>	<small>DWG. NO.</small> <b>PUL-4233 PSB-2042</b>

1 2 3 4 5 6 7 8

PUL-4233 PSB-2042  
D  
C  
B  
A