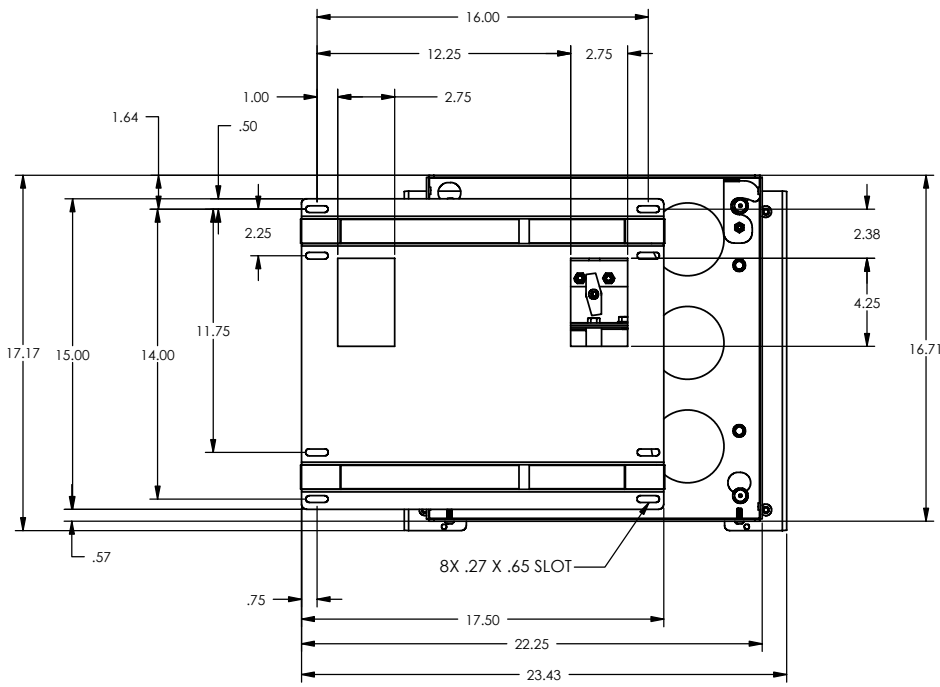
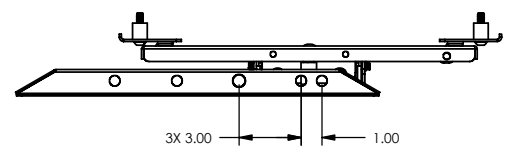
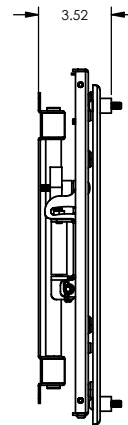
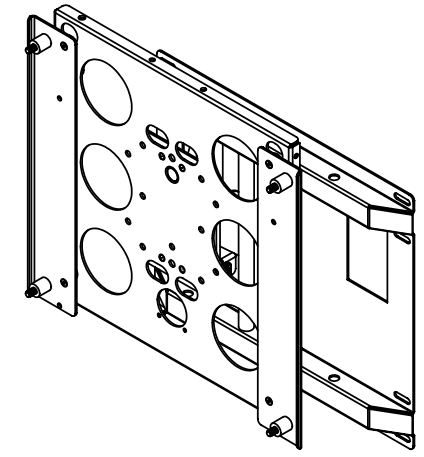



PWP-2130



CHIEF MANUFACTURING INC.
MOUNT ORDER NUMBER IS PWP-2130
PHONE: 1-800-582-6480

THE INFORMATION AND DESIGNS CONTAINED
IN THIS DRAWING ARE CONFIDENTIAL AND THE
PROPRIETARY PROPERTY OF CHIEF MFG., INC.
NEITHER THIS DESIGN NOR ANY INFORMATION
CONTAINED IN THIS DRAWING MAY BE
REPRODUCED OR DISCLOSED TO OTHERS
WITHOUT THE EXPRESS WRITTEN CONSENT OF
CHIEF MFG., INC.

		CHIEF MANUFACTURING, INC. 12800 HWY 13 SOUTH STE. 500 • SAVAGE, MN 55378 1.800.582.6480 • Fax 1.877.894.6918
TITLE CUSTOMER PRINT ASSEMBLY, WALL MOUNT, PITCH, SHORT ARM PWP-2130		
SIZE B	DWG. NO. PWP-2130	

A

B

C

D

8

7

6

5

4

3

2

1

8

7

6

5

4

3

2

1