

1 2 3 4 5 6 7 8

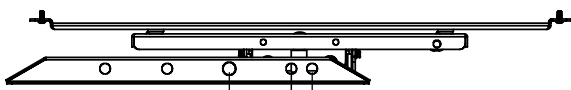
PWP-2152

D

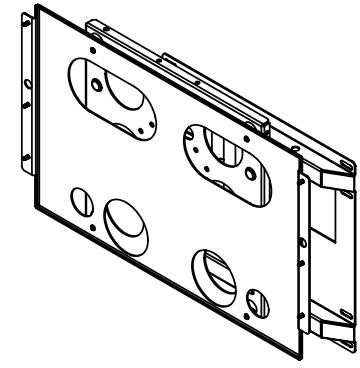
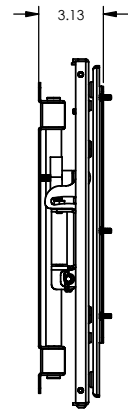
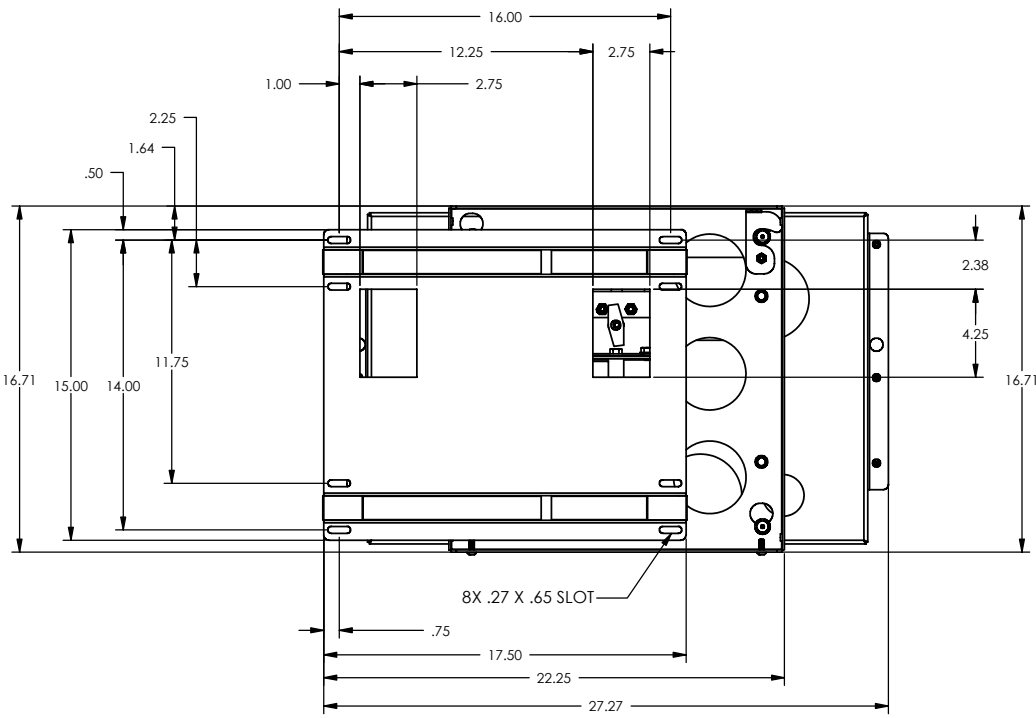
C

B

A



3X 3.00 1.00



**CHIEF MANUFACTURING INC.**  
MOUNT ORDER NUMBER IS PWP-2152  
PHONE: 1-800-582-6480

THE INFORMATION AND DESIGNS CONTAINED  
IN THIS DRAWING ARE CONFIDENTIAL AND THE  
PROPRIETARY PROPERTY OF CHIEF MFG., INC.  
NEITHER THIS DESIGN NOR ANY INFORMATION  
CONTAINED IN THIS DRAWING MAY BE  
REPRODUCED OR DISCLOSED TO OTHERS  
WITHOUT THE EXPRESS WRITTEN CONSENT OF  
CHIEF MFG., INC.

**CHIEF** MANUFACTURING, INC.  
12800 HWY 13 SOUTH STE. 500 • SAUSAGE, MN 55378  
1.800.582.6480 • Fax 1.877.894.6918

TITLE  
**CUSTOMER PRINT  
ASSEMBLY, WALL MOUNT, PITCH,  
SHORT ARM  
PWP-2152**

SIZE DWG. NO. **PWP-2152**

1 2 3 4 5 6 7 8