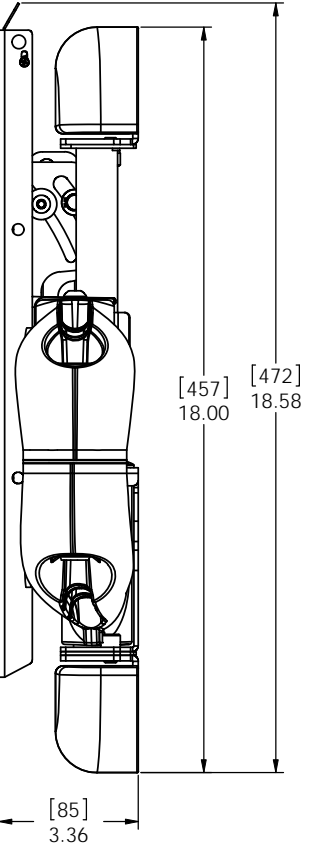
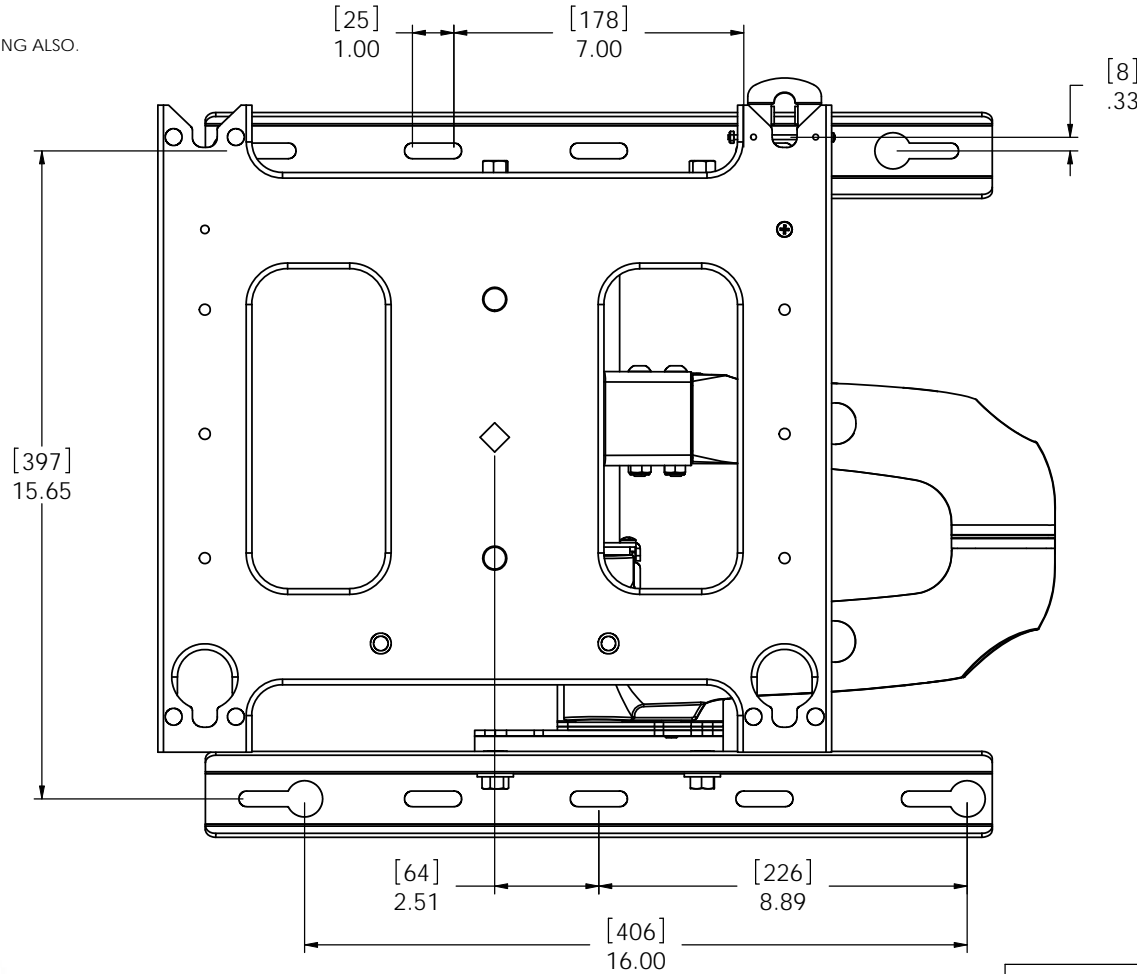


NOTE: CUSTOM INTERAFCE BRACKET NOT SHOWN. THE CUSTOM INTERFACE BRACKET NEEDED FOR YOUR DISPLAY WILL ADD BETWEEN 1/2" AND 2" IN DEPTH AND MAY AFFECT LOCATION OF DISPLAY ON THE MOUNT.

SEE PSB-XXXX DRAWING ALSO.

# Mounting Pattern



PRODUCT FEATURES	
WEIGHT CAPACITY	125 LBS
HEIGHT ADJUSTMENT	0"
TILT / ROLL / YAW	+5°,-15° / ±2.5° / ±0°



CHIEF MANUFACTURING INC.

MOUNT ORDER NUMBER IS PWR  
PHONE: 1-800-582-6480

6/23/2008

ALL MEASUREMENTS ARE IN THE FOLLOWING FORMAT:

(MILLIMETERS)  
INCHES

THE INFORMATION AND DESIGNS CONTAINED IN THIS DRAWING ARE CONFIDENTIAL AND THE PROPRIETARY PROPERTY OF CHIEF MFG., INC. NEITHER THIS DESIGN NOR ANY INFORMATION CONTAINED IN THIS DRAWING MAY BE REPRODUCED OR DISCLOSED TO OTHERS WITHOUT THE EXPRESS WRITTEN CONSENT OF CHIEF MFG., INC.

**CHIEF** MANUFACTURING, INC.  
8401 EAGLE CREEK PKWY • SAVAGE, MN 55378  
1.800.582.6480 • fax 1.877.894.6918

TITLE  
CUSTOMER PRINT

SEE DWG. NO.  
**B** BRACKET ORDER # PWR

BRACKET ORDER # PWR

D

C

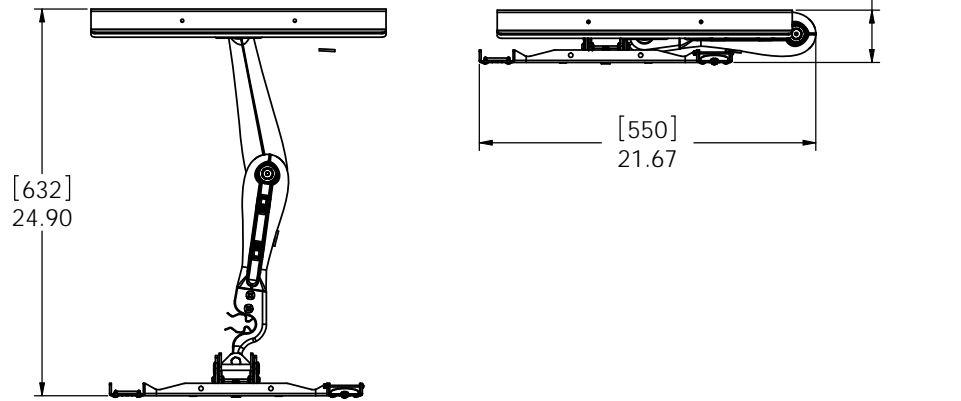
B

A

Unit Depth

Extended

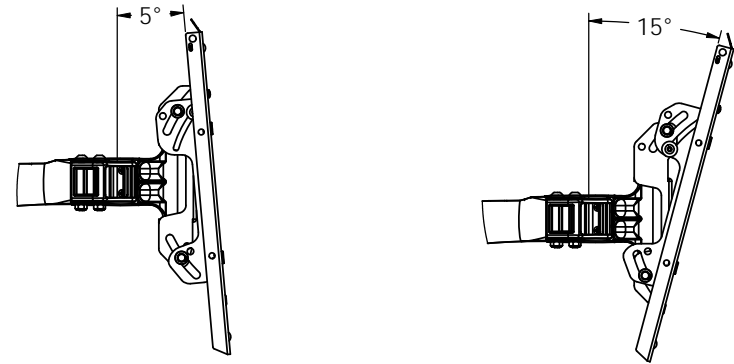
Retracted



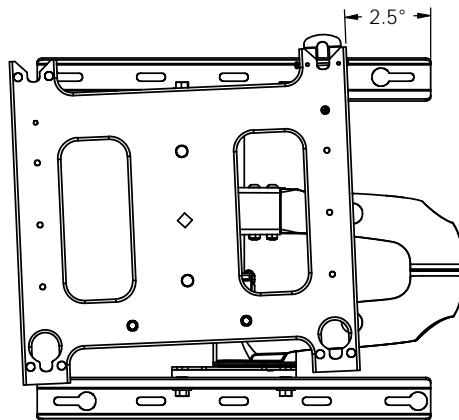
Tilt Adjustment

Tilted Up

Tilted Down



Roll Adjustment



THE INFORMATION AND DESIGNS CONTAINED IN THIS DRAWING ARE CONFIDENTIAL AND THE PROPRIETARY PROPERTY OF CHIEF MFG., INC. NEITHER THIS DESIGN NOR ANY INFORMATION CONTAINED IN THIS DRAWING MAY BE REPRODUCED OR DISCLOSED TO OTHERS WITHOUT THE EXPRESS WRITTEN CONSENT OF CHIEF MFG., INC.

**CHIEF** MANUFACTURING, INC.  
12800 HWY 13 SOUTH STE. 500 • SAVAGE, MN 55378  
1.800.582.6480 • FAX 1.877.894.6918

TITLE  
CUSTOMER PRINT

SIZE DWG. NO.  
B BRACKET ORDER # PWR

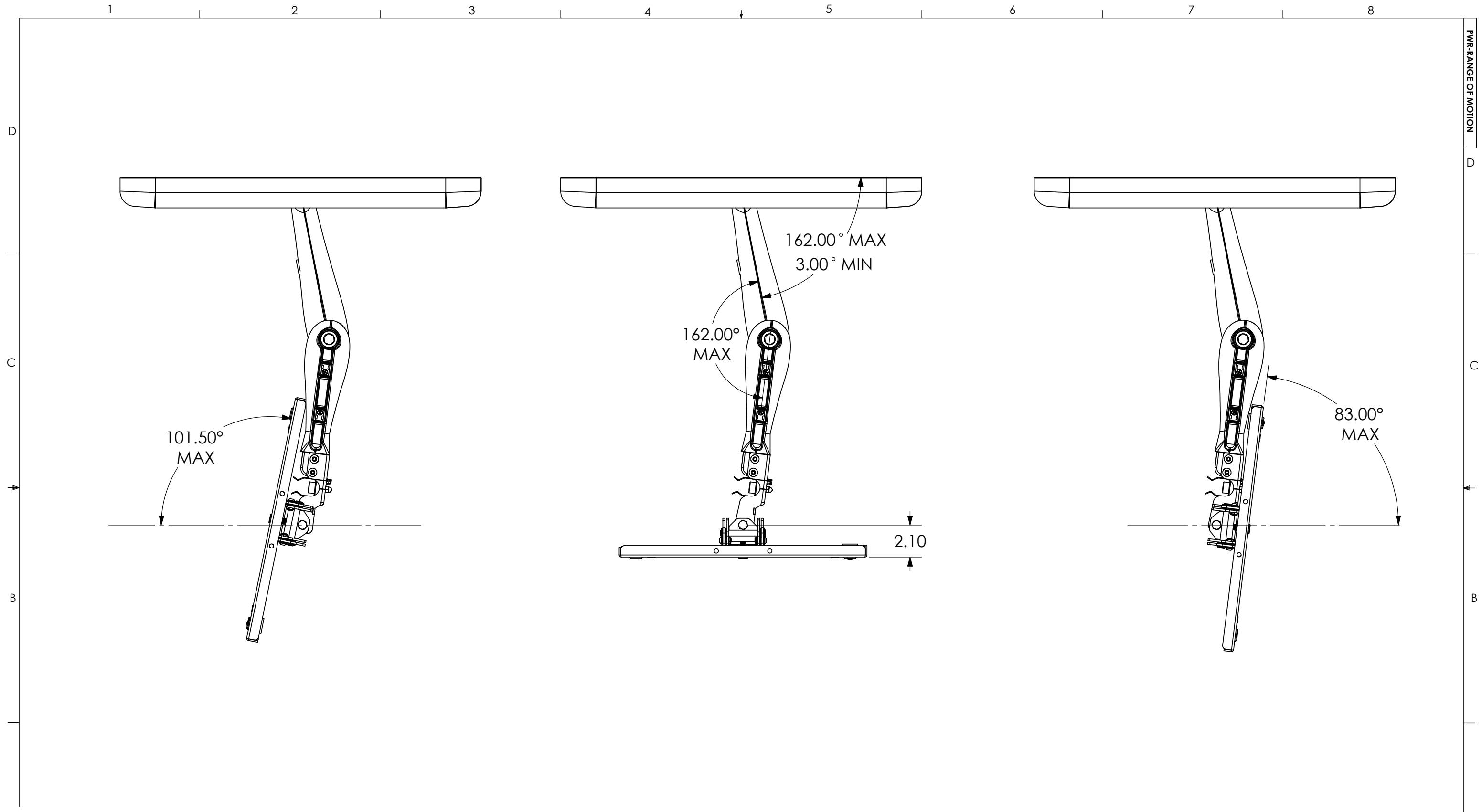
BRACKET ORDER # PWR

D

C

B


A



**CHIEF MANUFACTURING INC.**  
**MOUNT ORDER NUMBER IS PWR-RANGE OF MOTION**  
**PHONE: 1-800-582-6480**

SHEET SCALE = 1:6

THE INFORMATION AND DESIGNS CONTAINED IN THIS DRAWING ARE CONFIDENTIAL AND THE PROPRIETARY PROPERTY OF CHIEF MFG., INC. NEITHER THIS DESIGN NOR ANY INFORMATION CONTAINED IN THIS DRAWING MAY BE REPRODUCED OR DISCLOSED TO OTHERS WITHOUT THE EXPRESS WRITTEN CONSENT OF CHIEF MFG., INC.

 <b>CHIEF</b> MANUFACTURING, INC. <small>8401 EAGLE CREEK PKWY STE. 700, SAVAGE, MN 55378        1.800.582.6480 * FAX 1.877.894.6918</small>	
<small>TITLE</small> <b>CUSTOMER PRINT        PWR-RANGE OF MOTION</b>	
<small>SIZE</small> <b>B</b>	<small>DWG. NO.</small> <b>PWR-RANGE OF MOTION</b>