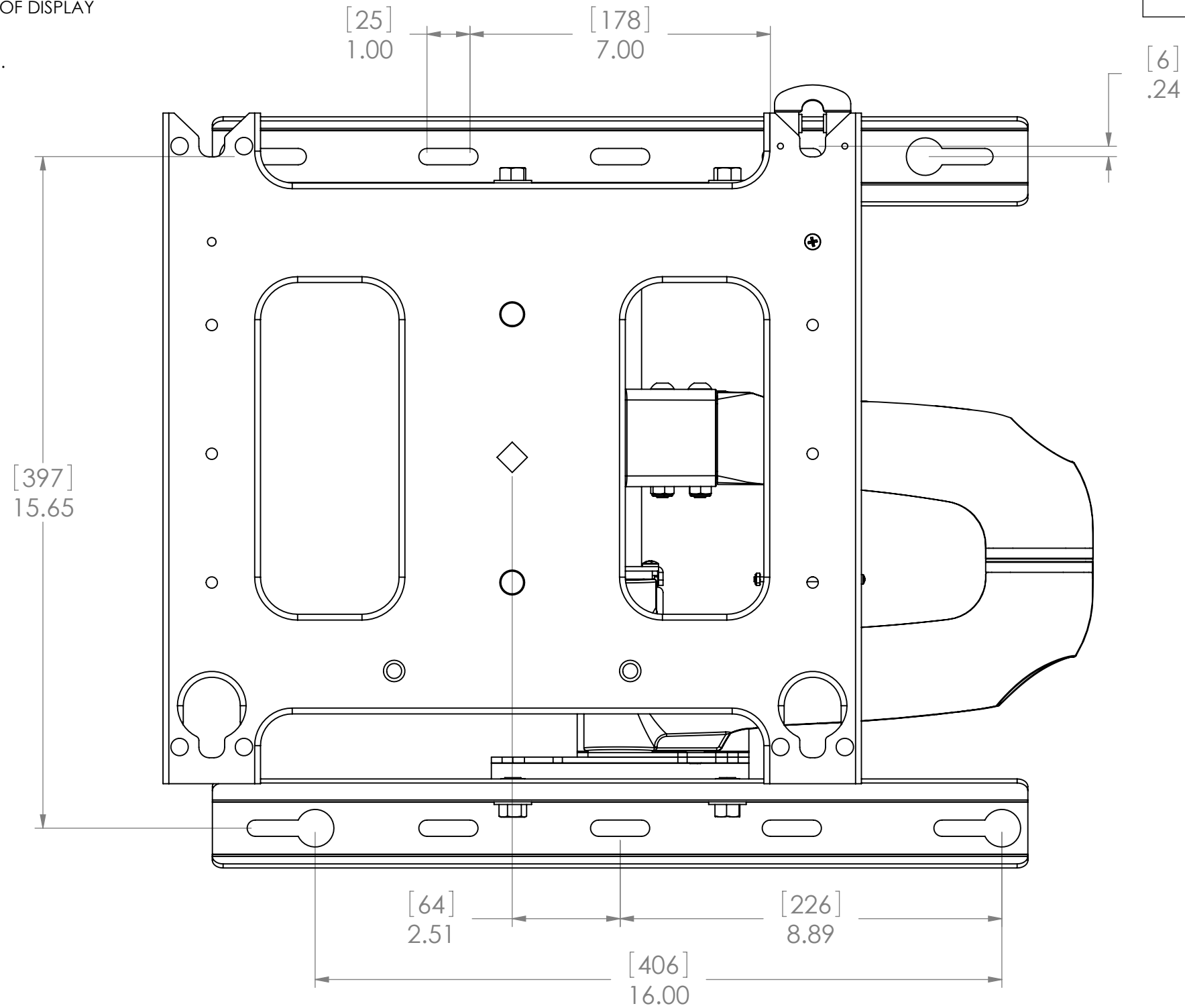


NOTE: CUSTOM INTERAFCE BRACKET NOT SHOWN. THE CUSTOM INTERFACE BRACKET NEEDED FOR YOUR DISPLAY

AND MAY AFFECT LOCATION OF DISPLAY ON THE MOUNT.

SEE PSB-XXXX DRAWING ALSO.

Mounting Pattern



PRODUCT FEATURES	
WEIGHT CAPACITY	125 LBS
HEIGHT ADJUSTMENT	0"
TILT / ROLL / YAW	+5°, -15° / ±2° / ±0°

BRACKET ORDER # PWR



CHIEF MANUFACTURING INC.

**MOUNT ORDER NUMBER IS PWR
PHONE: 1-800-582-6480**

7/3/2007

ALL MEASUREMENTS ARE IN THE FOLLOWING FORMAT:

[MILLIMETERS]
INCHES

CONTAINED IN THIS DRAWING MAY BE REPRODUCED OR DISCLOSED TO OTHERS

CHIEF MFG., INC.



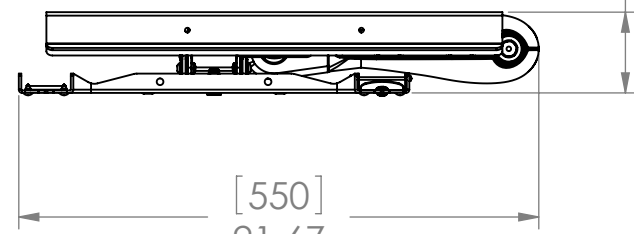
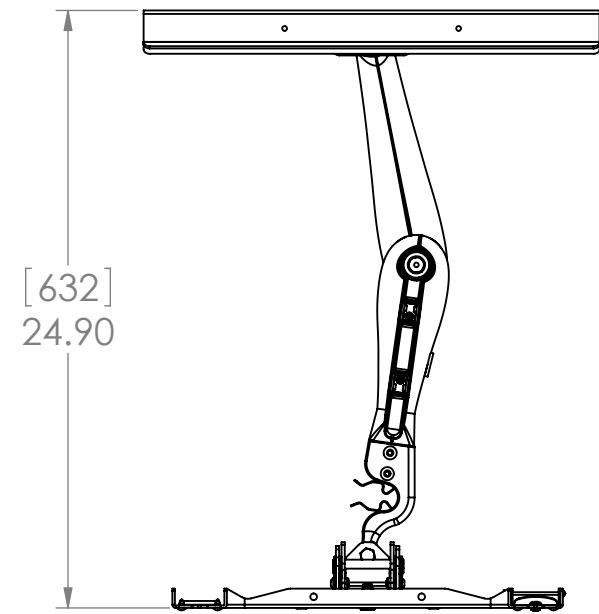
TITLE
CUSTOMER PRINT

SIZE | DWG. NO.
B BRACKET ORDER # PWR

Unit Depth

Extended

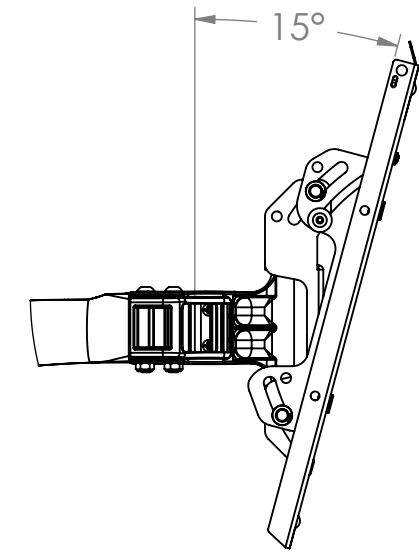
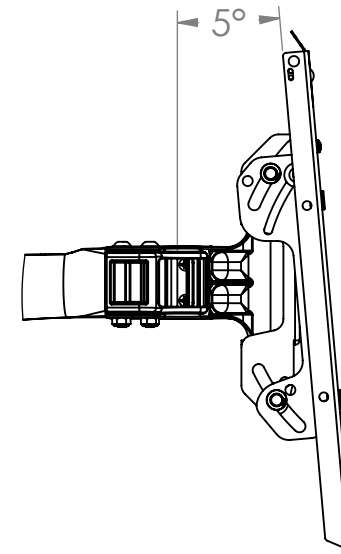
Retracted



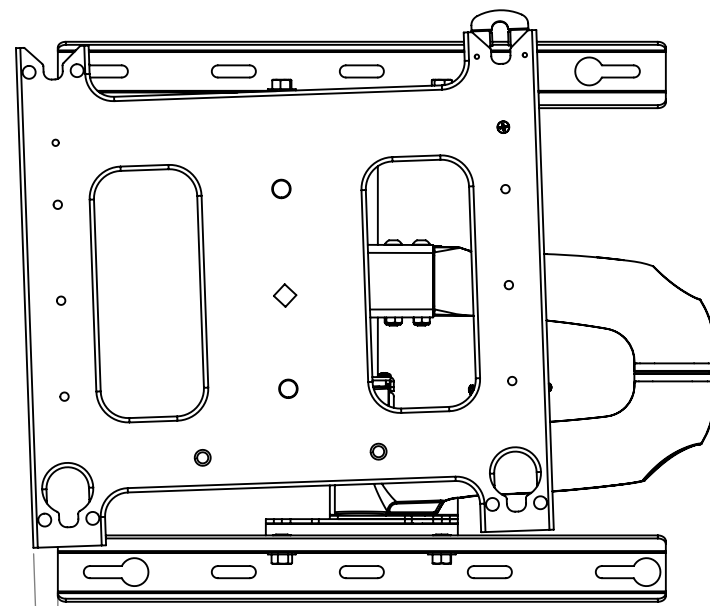
Tilt Adjustment

Tilted Up

Tilted Down



Roll Adjustment



THE INFORMATION AND DESIGNS CONTAINED IN THIS DRAWING ARE CONFIDENTIAL AND THE PROPRIETARY PROPERTY OF CHIEF MFG., INC. NEITHER THIS DESIGN NOR ANY INFORMATION CONTAINED IN THIS DRAWING MAY BE REPRODUCED OR DISCLOSED TO OTHERS WITHOUT THE EXPRESS WRITTEN CONSENT OF

CHIEF MANUFACTURING, INC.
12800 HWY 13 SOUTH STE. 500 * SAVAGE, MN 55378
1.800.582.6480 * fax 1.877.894.6918

TITLE

B BRACKET ORDER # PWR

BRACKET ORDER # PWR

D

C

B

A

1

2

3

4

5

6

7

8

D

C

B

A

1

2

3

4

5

6

7

8