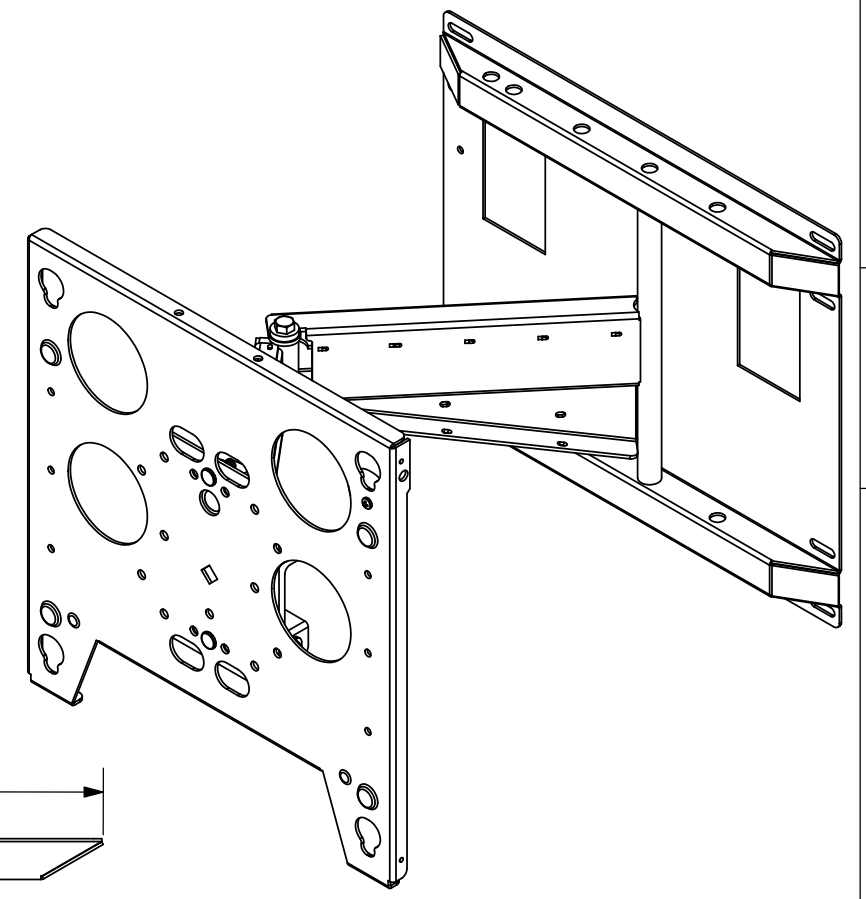
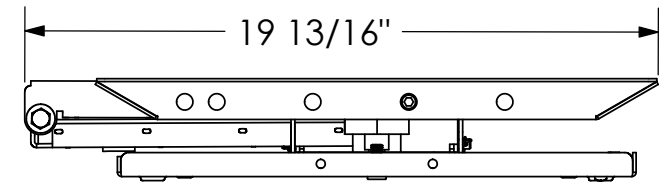
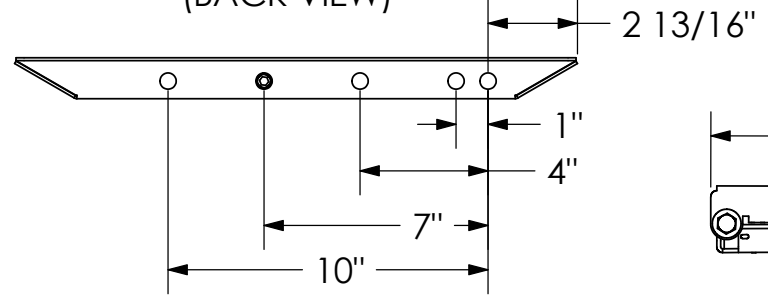
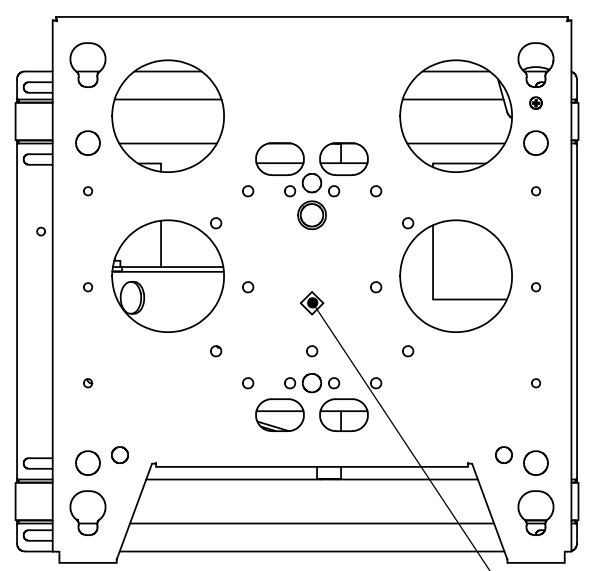


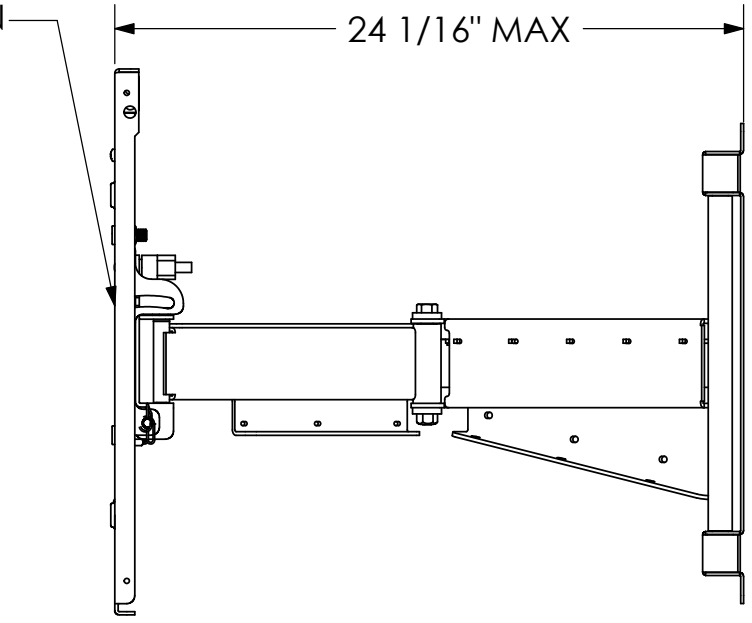
WALL PLATE
(BACK VIEW)



FACE TILTS
5° UP
15° DOWN



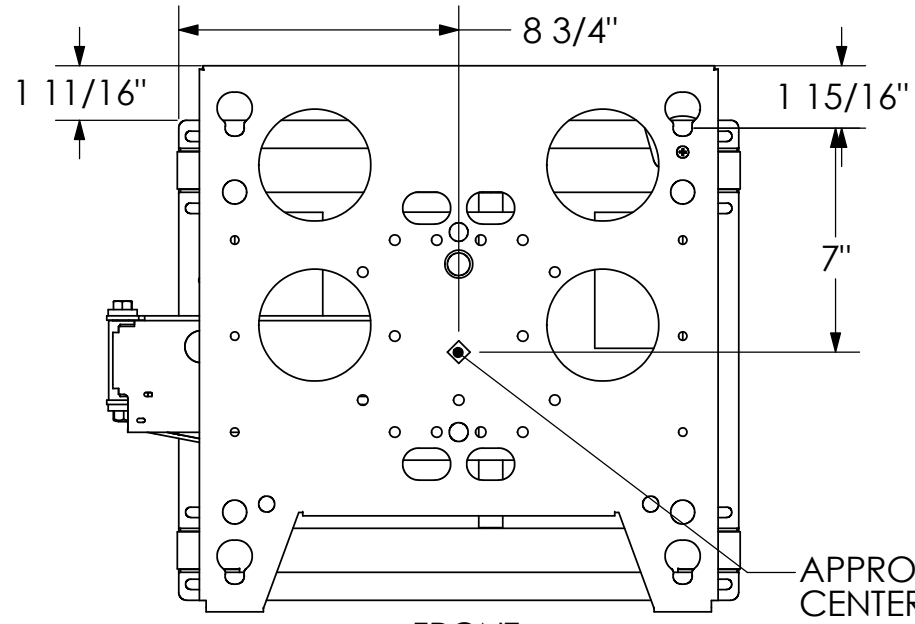
FRONT
(EXTENDED)



APPROXIMATE
CENTER OF DISPLAY

NOTE: CUSTOM INTERAFCE BRACKET NOT SHOWN. THE CUSTOM INTERFACE BRACKET NEEDED FOR YOUR DISPLAY WILL ADD BETWEEN 1/2" AND 2" IN DEPTH AND MAY AFFECT LOCATION OF DISPLAY ON THE MOUNT.

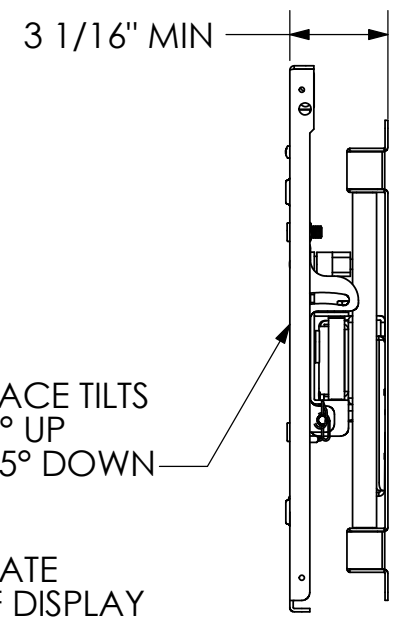
SEE PSB-XXXX DRAWING ALSO.



FRONT
(FULLY COLLAPSED)

APPROXIMATE
CENTER OF DISPLAY

FACE TILTS
5° UP
15° DOWN



THE INFORMATION AND DESIGNS CONTAINED IN THIS DRAWING ARE CONFIDENTIAL AND THE PROPRIETARY PROPERTY OF CHIEF MFG., INC. NEITHER THIS DESIGN NOR ANY INFORMATION CONTAINED IN THIS DRAWING MAY BE REPRODUCED OR DISCLOSED TO OTHERS WITHOUT THE EXPRESS WRITTEN CONSENT OF CHIEF MFG., INC.

CHIEF MANUFACTURING, INC.
8401 Eagle Creek Pkwy., STE. 700, SAVAGE, MN 55378
P 952-894-6260 * F 877-894-6918

TITLE
PWS-XXXX
SHIPS WITH PSB-XXXX INCLUDED