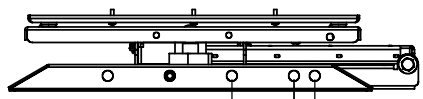
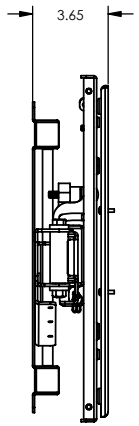
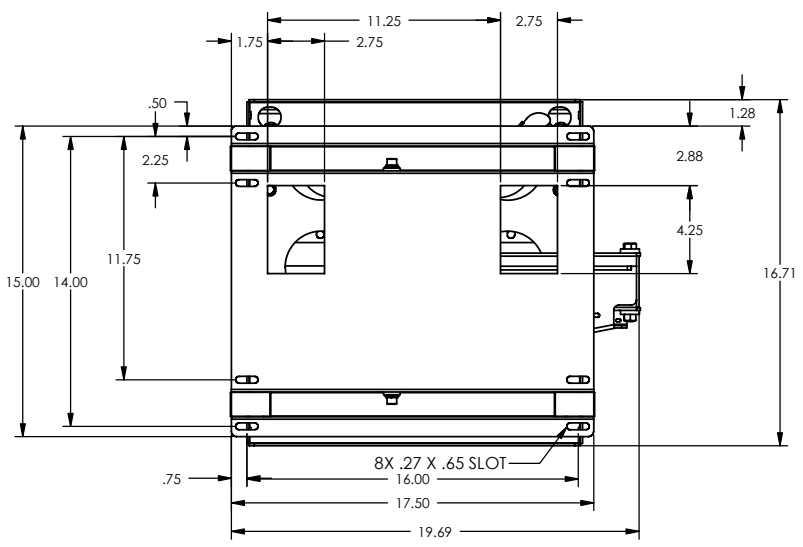
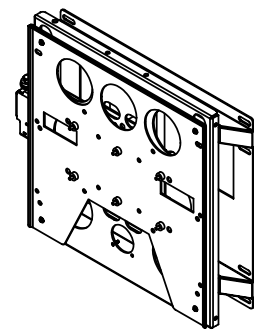


PWS-2044



3X 3.00 1.00



CHIEF MANUFACTURING INC.  
MOUNT ORDER NUMBER IS PWS-2044  
PHONE: 1-800-582-6480

THE INFORMATION AND DESIGNS CONTAINED  
IN THIS DRAWING ARE CONFIDENTIAL AND THE  
PROPRIETARY PROPERTY OF CHIEF MFG., INC.  
NEITHER THIS DESIGN NOR ANY INFORMATION  
CONTAINED IN THIS DRAWING MAY BE  
REPRODUCED OR DISCLOSED TO OTHERS  
WITHOUT THE EXPRESS WRITTEN CONSENT OF  
CHIEF MFG., INC.

**CHIEF** MANUFACTURING, INC.  
12800 HWY 13 SOUTH STE. 500 • SAVAGE, MN 55378  
1.800.582.6480 • Fax 1.877.894.6918

TITLE  
**CUSTOMER PRINT  
ASSEMBLY, WALL MOUNT, SINGLE  
SWING ARM  
PWS-2044**

SIZE DWG. NO.  
**B PWS-2044**

A

B

C

D

1 2 3 4 5 6 7 8