

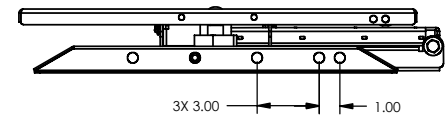
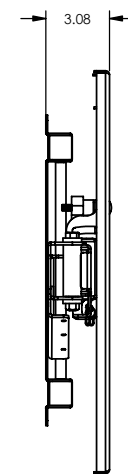
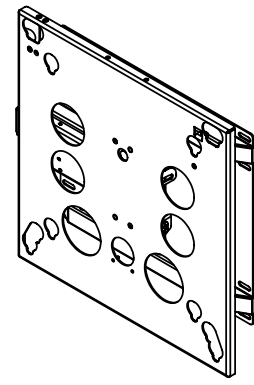
PWS-2095

D

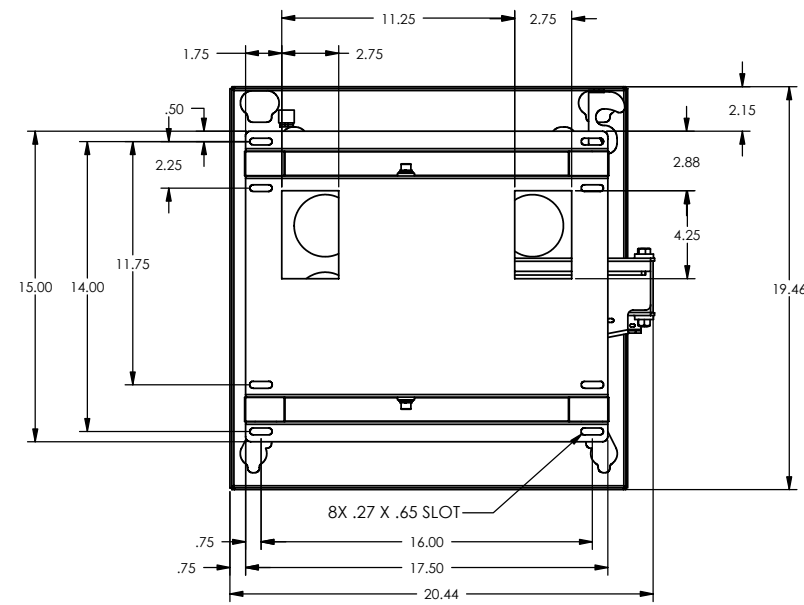
C

B

A




3X 3.00 1.00



CHIEF MANUFACTURING INC.
MOUNT ORDER NUMBER IS PWS-2095
PHONE: 1-800-582-6480

THE INFORMATION AND DESIGNS CONTAINED IN THIS DRAWING ARE CONFIDENTIAL AND THE PROPRIETARY PROPERTY OF CHIEF MFG., INC. NEITHER THIS DESIGN NOR ANY INFORMATION CONTAINED IN THIS DRAWING MAY BE REPRODUCED OR DISCLOSED TO OTHERS WITHOUT THE EXPRESS WRITTEN CONSENT OF CHIEF MFG., INC.

 CHIEF MANUFACTURING, INC. <small>12800 HWY 13 SOUTH STE. 500 • SAVAGE, MN 55378 1.800.582.6480 • Fax 1.877.894.6918</small>	TITLE
	CUSTOMER PRINT ASSEMBLY, WALL MOUNT, SINGLE SWING ARM PWS-2095
SIZE	DWG. NO.
B	PWS-2095

1 2 3 4 5 6 7 8