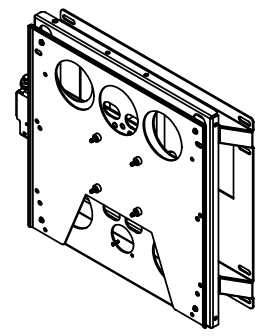
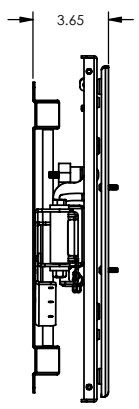
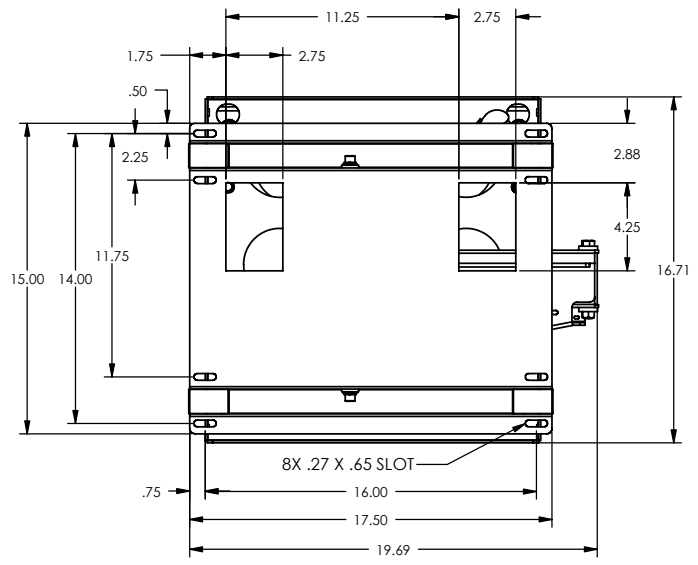
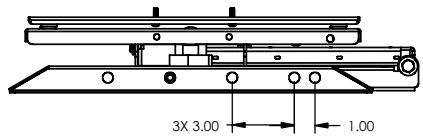


1 2 3 4 5 6 7 8

PWS-2140



D

C


B

A



**CHIEF MANUFACTURING INC.**  
**MOUNT ORDER NUMBER IS PWS-2140**  
**PHONE: 1-800-582-6480**

THE INFORMATION AND DESIGNS CONTAINED IN THIS DRAWING ARE CONFIDENTIAL AND THE PROPRIETARY PROPERTY OF CHIEF MFG., INC. NEITHER THIS DESIGN NOR ANY INFORMATION CONTAINED IN THIS DRAWING MAY BE REPRODUCED OR DISCLOSED TO OTHERS WITHOUT THE EXPRESS WRITTEN CONSENT OF CHIEF MFG., INC.

 <b>CHIEF</b> MANUFACTURING, INC. <small>12800 HWY 13 SOUTH STE. 500 • SAVAGE, MN 55378          1.800.582.6480 • Fax 1.877.894.6918</small>	TITLE
	CUSTOMER PRINT ASSEMBLY, WALL MOUNT, SINGLE SWING ARM PWS-2140
SIZE	DWG. NO.
B	PWS-2140

1 2 3 4 5 6 7 8