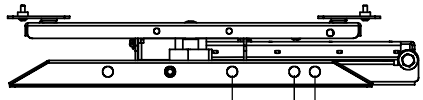
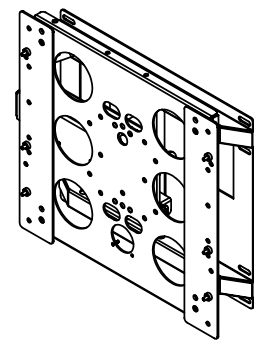
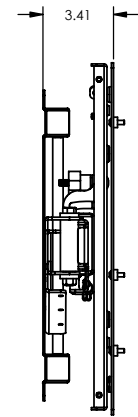
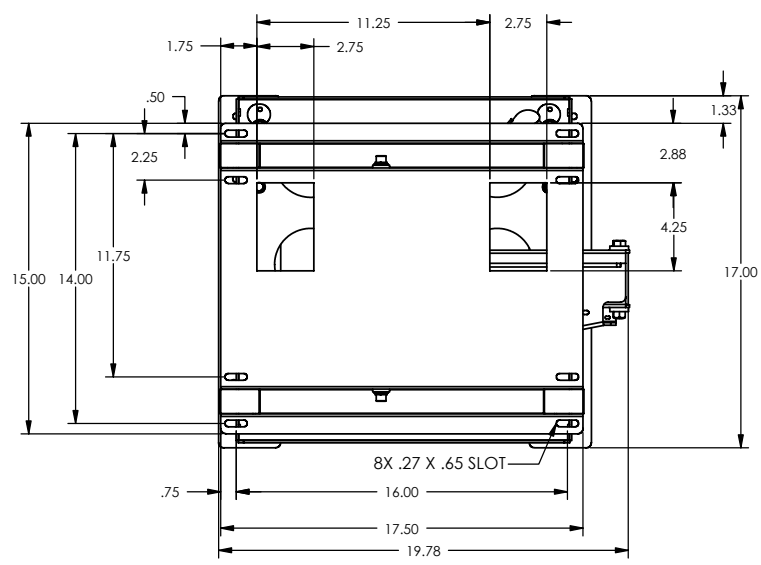


1 2 3 4 5 6 7 8

PWS-2210



3X 3.00 1.00



D

C

B

A



CHIEF MANUFACTURING INC.
MOUNT ORDER NUMBER IS PWS-2210
PHONE: 1-800-582-6480

THE INFORMATION AND DESIGNS CONTAINED
IN THIS DRAWING ARE CONFIDENTIAL AND THE
PROPRIETARY PROPERTY OF CHIEF MFG., INC.
NEITHER THIS DESIGN NOR ANY INFORMATION
CONTAINED IN THIS DRAWING MAY BE
REPRODUCED OR DISCLOSED TO OTHERS
WITHOUT THE EXPRESS WRITTEN CONSENT OF
CHIEF MFG., INC.

CHIEF MANUFACTURING, INC.
12800 HWY 13 SOUTH STE. 500 • SAUSAGE, MN 55378
1.800.582.6480 • Fax 1.877.894.6918

TITLE
CUSTOMER PRINT
ASSEMBLY, WALL MOUNT, SINGLE
SWING ARM
PWS-2210

SIZE DWG. NO.
B PWS-2210

1 2 3 4 5 6 7 8