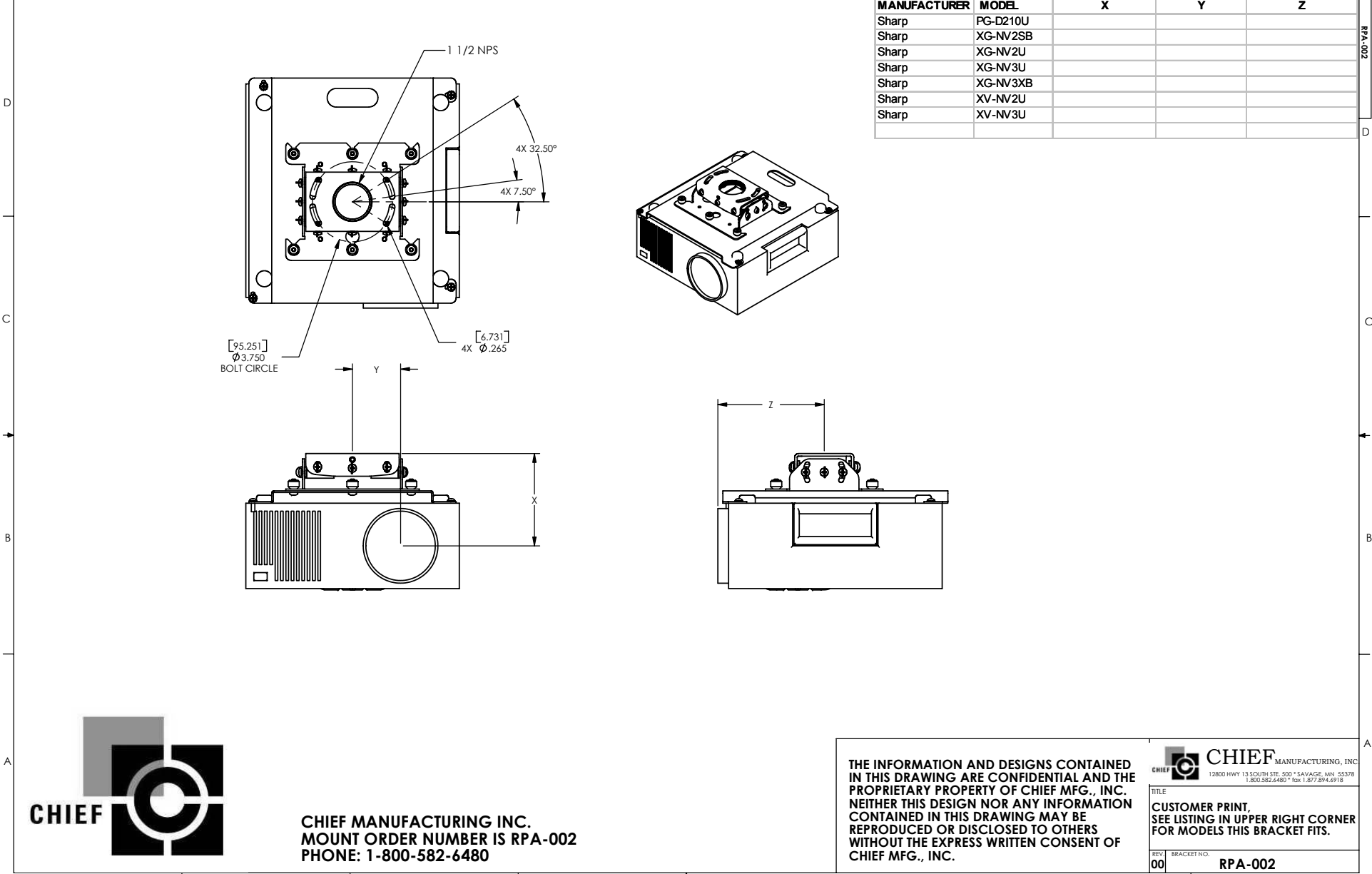


1 2 3 4 5 6 7 8



MANUFACTURER	MODEL	X	Y	Z
Sharp	PG-D210U			
Sharp	XG-NV2SB			
Sharp	XG-NV2U			
Sharp	XG-NV3U			
Sharp	XG-NV3XB			
Sharp	XV-NV2U			
Sharp	XV-NV3U			



CHIEF MANUFACTURING INC.
MOUNT ORDER NUMBER IS RPA-002
PHONE: 1-800-582-6480

THE INFORMATION AND DESIGNS CONTAINED IN THIS DRAWING ARE CONFIDENTIAL AND THE PROPRIETARY PROPERTY OF CHIEF MFG., INC. NEITHER THIS DESIGN NOR ANY INFORMATION CONTAINED IN THIS DRAWING MAY BE REPRODUCED OR DISCLOSED TO OTHERS WITHOUT THE EXPRESS WRITTEN CONSENT OF CHIEF MFG., INC.

CHIEF MANUFACTURING, INC.
 12800 HWY 13 SOUTH STE. 500 • SAUSAGE, MN. 55378
 1.800.582.6480 • fax 1.877.814.6918

TITLE: **CUSTOMER PRINT, SEE LISTING IN UPPER RIGHT CORNER FOR MODELS THIS BRACKET FITS.**

REV: 00 BRACKET NO. **RPA-002**

1 2 3 4 5 6 7 8