

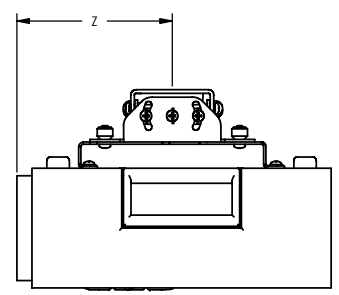
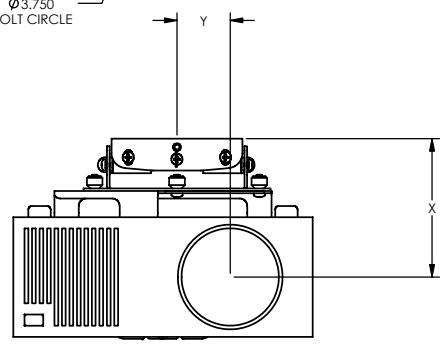
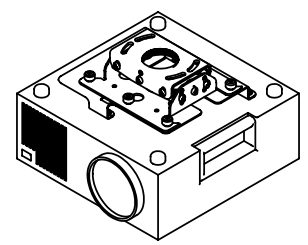
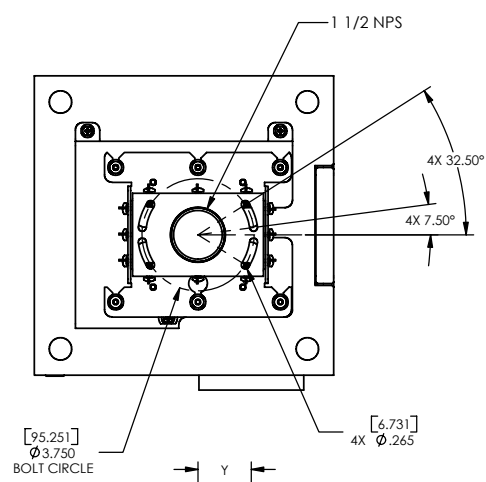
1 2 3 4 5 6 7 8

D

C

B

A



MANUFACTURER	MODEL	X	Y	Z
Philips	LC-1041			
Philips	LC-1241			
Philips	PXG10			
Philips	PXG20			
Sharp	XG-NV6XE			
Sharp	XG-NV6XU			
Sharp	XG-P10XE			
Sharp	XG-P10XU			
Sharp	XG-P20XE			
Sharp	XG-P20XU			
Sharp	XG-P25XU	6.70313 [170.26]	R.90625 [23.02]	7.34375 [186.63]
Sharp	XV-DW100U			
Sharp	XV-Z10000U			
Sharp	XV-Z10000U			
Sharp	XV-Z12000U			
Sharp	XV-Z8000			
Sharp	XV-Z9000E			
Sharp	XV-Z9000U			

RPA-006

D

C

B

A



CHIEF MANUFACTURING INC.
MOUNT ORDER NUMBER IS RPA-006
PHONE: 1-800-582-6480

<p>THE INFORMATION AND DESIGNS CONTAINED IN THIS DRAWING ARE CONFIDENTIAL AND THE PROPRIETARY PROPERTY OF CHIEF MFG., INC. NEITHER THIS DESIGN NOR ANY INFORMATION CONTAINED IN THIS DRAWING MAY BE REPRODUCED OR DISCLOSED TO OTHERS WITHOUT THE EXPRESS WRITTEN CONSENT OF CHIEF MFG., INC.</p>	<p>12800 HWY 13 SOUTH STE. 500 • SAVAGE, MN. 55378 1.800.582.6480 • fax 1.877.814.6918</p>
	<p>TITLE CUSTOMER PRINT, SEE LISTING IN UPPER RIGHT CORNER FOR MODELS THIS BRACKET FITS.</p>
	<p>REV. BRACKET NO. 00 RPA-006</p>

1 2 3 4 5 6 7 8