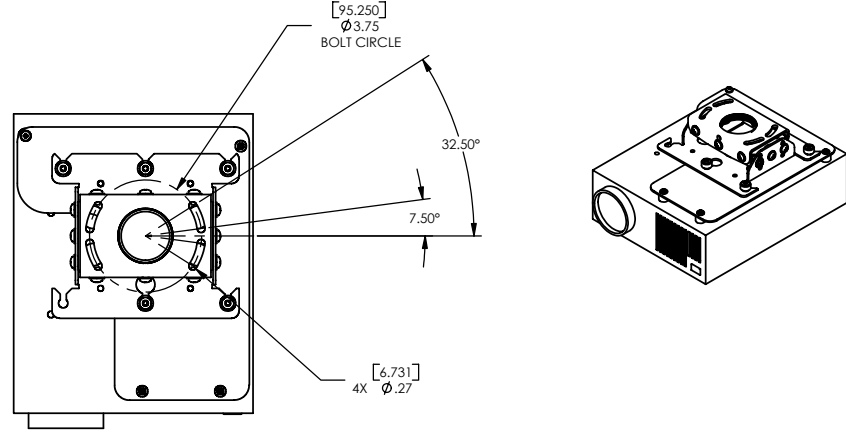


1 2 3 4 5 6 7 8

MANUFACTURER	MODEL	X	Y	Z
Proxima	DS2 Ultralight			
Proxima	DX2 Ultralight			

RPA-007

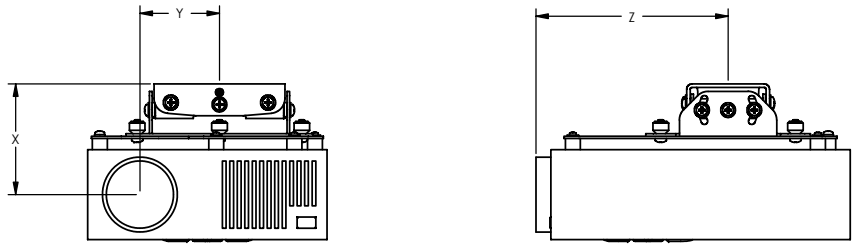
D



D

C

C



B

B

PROJECTOR SHOWN FOR LENS POSITION ONLY.
SEE PROJECTOR VENDOR PHOTOS OR DRAWINGS
FOR EXACT MODEL.

A



CHIEF MANUFACTURING INC.
MOUNT ORDER NUMBER IS RPA-007
PHONE: 1-800-582-6480

THE INFORMATION AND DESIGNS CONTAINED
IN THIS DRAWING ARE CONFIDENTIAL AND THE
PROPRIETARY PROPERTY OF CHIEF MFG., INC.
NEITHER THIS DESIGN NOR ANY INFORMATION
CONTAINED IN THIS DRAWING MAY BE
REPRODUCED OR DISCLOSED TO OTHERS
WITHOUT THE EXPRESS WRITTEN CONSENT OF
CHIEF MFG., INC.



TITLE
**CUSTOMER PRINT,
SEE LISTING IN UPPER RIGHT CORNER
FOR MODELS THIS BRACKET FITS.**

REV. BRACKET NO.
00 RPA-007

1 2 3 4 5 6 7 8