

1 2 3 4 5 6 7 8

D

C

B

A

RPA-020

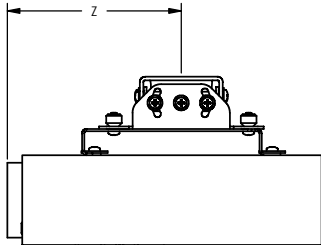
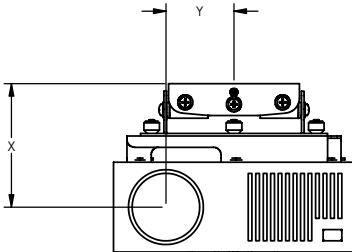
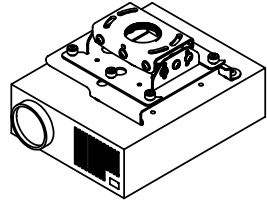
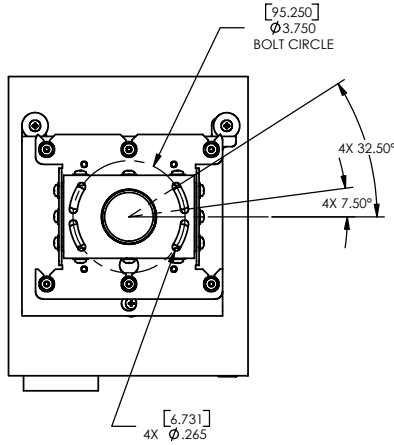
D

C

B

A

MANUFACTURER	MODEL	X	Y	Z
Sony	VPL-PS10			
Sony	VPL-PS15			
Sony	VPL-PX20			
Sony	VPL-PX21			
Sony	VPL-PX30			
Sony	VPL-PX31			
Sony	VPL-PX32			
Sony	VPL-PX35			
Sony	VPL-PX40			
Sony	VPL-S600U			
Sony	VPL-S900U			
Sony	VPL-VW10HT			
Sony	VPL-VW11HT			
Sony	VPL-VW12HT			
Sony	VPL-X1000U			
Sony	VPL-X600U			
Sony	VPL-X900U			



**CHIEF MANUFACTURING INC.**  
**MOUNT ORDER NUMBER IS RPA-020**  
**PHONE: 1-800-582-6480**

THE INFORMATION AND DESIGNS CONTAINED IN THIS DRAWING ARE CONFIDENTIAL AND THE PROPRIETARY PROPERTY OF CHIEF MFG., INC. NEITHER THIS DESIGN NOR ANY INFORMATION CONTAINED IN THIS DRAWING MAY BE REPRODUCED OR DISCLOSED TO OTHERS WITHOUT THE EXPRESS WRITTEN CONSENT OF CHIEF MFG., INC.

**CHIEF** MANUFACTURING, INC.  
12800 HWY 13 SOUTH STE. 500 • SAVAGE, MN. 55378  
 1.800.582.6480 • 10x 1.877.814.6918

TITLE  
**CUSTOMER PRINT,  
 SEE LISTING IN UPPER RIGHT CORNER  
 FOR MODELS THIS BRACKET FITS.**

REV. BRACKET NO.  
**00 RPA-020**

1 2 3 4 5 6 7 8