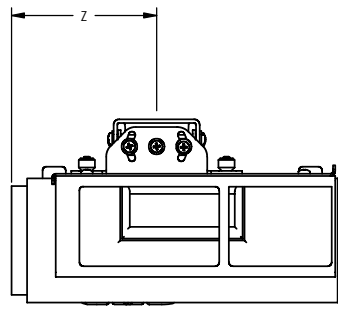
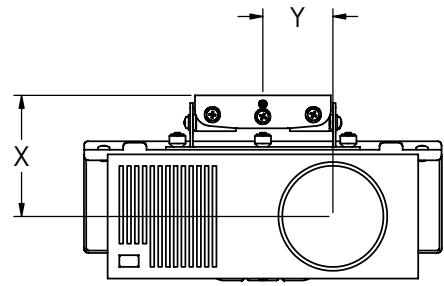
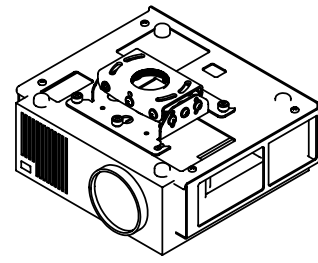
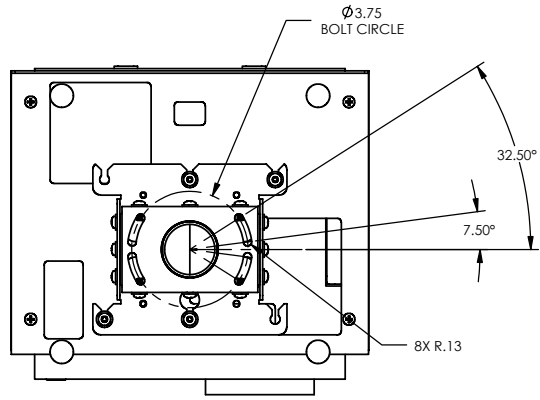


MANUFACTURER	MODEL	X	Y	Z
Sony	VPL-CS5	3.000	R, 2.90	3.380
Sony	VPL-CX5	3.000	R, 2.90	3.380




PROJECTOR SHOWN FOR LENS POSITION ONLY.  
SEE PROJECTOR VENDOR PHOTOS OR DRAWINGS  
FOR EXACT MODEL.



**CHIEF MANUFACTURING INC.**  
MOUNT ORDER NUMBER IS RPA-060  
PHONE: 1-800-582-6480

THE INFORMATION AND DESIGNS CONTAINED  
IN THIS DRAWING ARE CONFIDENTIAL AND THE  
PROPRIETARY PROPERTY OF CHIEF MFG., INC.  
NEITHER THIS DESIGN NOR ANY INFORMATION  
CONTAINED IN THIS DRAWING MAY BE  
REPRODUCED OR DISCLOSED TO OTHERS  
WITHOUT THE EXPRESS WRITTEN CONSENT OF  
CHIEF MFG., INC.

	<b>CHIEF</b> MANUFACTURING, INC. 12800 HWY 13 SOUTH STE. 500 • SAVAGE, MN 55378 1.800.582.6480 • Fax 1.877.894.6918
REV: 00	TITLE: CUSTOMER PRINT. SEE LISTING IN UPPER RIGHT CORNER FOR MODELS THIS BRACKET FITS.
BRACKET NO.	<b>RPA-060</b>