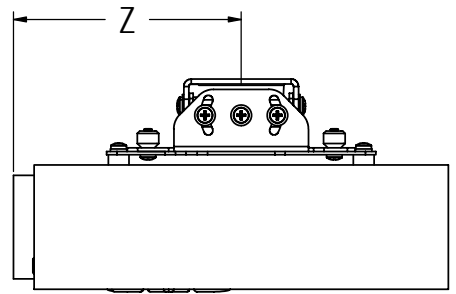
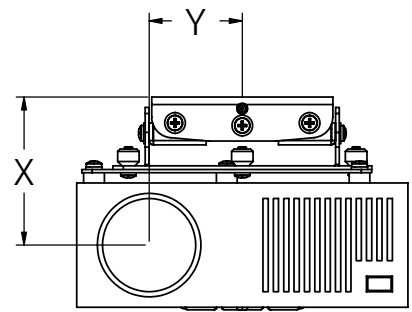
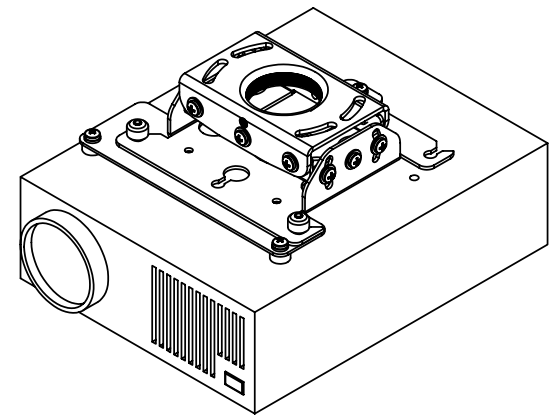
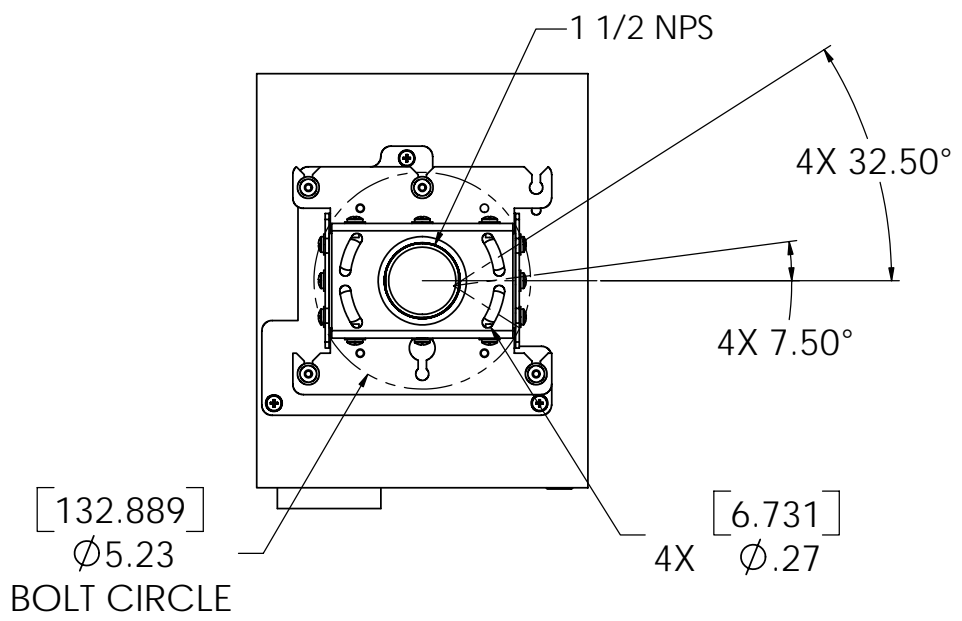


MANUFACTURER	MODEL	X	Y	Z
Sony	VPL-HS50	4.90"	L 3.125"	6.625"
Sony	VPL-HS51	4.90"	L 3.125"	6.625"



**CHIEF MANUFACTURING INC.**  
**MOUNT ORDER NUMBER IS RPA-102**  
**PHONE: 1-800-582-6480**

THE INFORMATION AND DESIGNS CONTAINED IN THIS DRAWING ARE CONFIDENTIAL AND THE PROPRIETARY PROPERTY OF CHIEF MFG., INC. NEITHER THIS DESIGN NOR ANY INFORMATION CONTAINED IN THIS DRAWING MAY BE REPRODUCED OR DISCLOSED TO OTHERS WITHOUT THE EXPRESS WRITTEN CONSENT OF CHIEF MFG., INC.

**CHIEF** MANUFACTURING, INC.  
 12800 HWY 13 SOUTH STE. 500 • SAVAGE, MN 55378  
 1.800.582.6480 • fax 1.877.894.6918

TITLE  
 CUSTOMER PRINT.  
 SEE LISTING IN UPPER RIGHT CORNER FOR MODELS THIS BRACKET FITS.

REV. 00 BRACKET NO. RPA-102

RPA-102

D

C

B

A

1 2 3 4 5 6 7 8