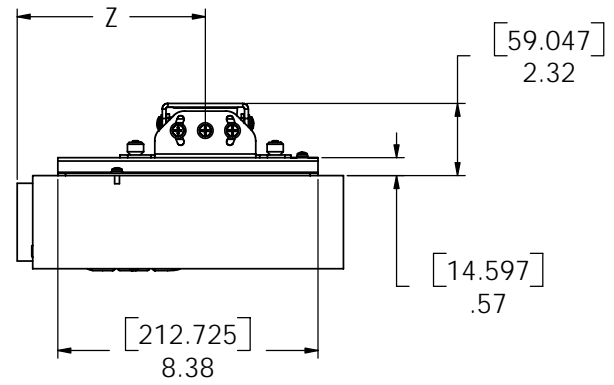
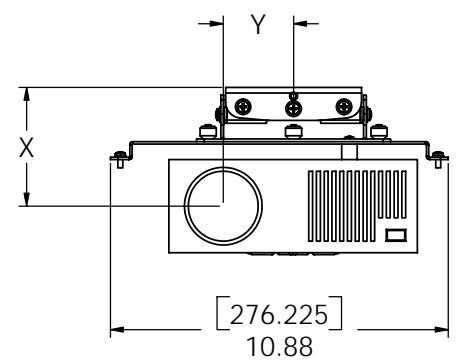
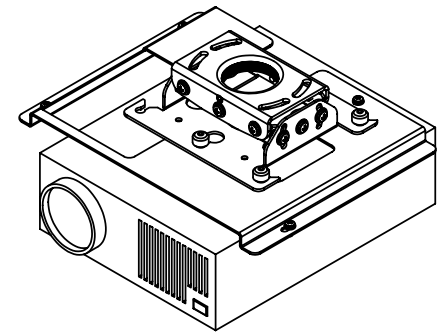
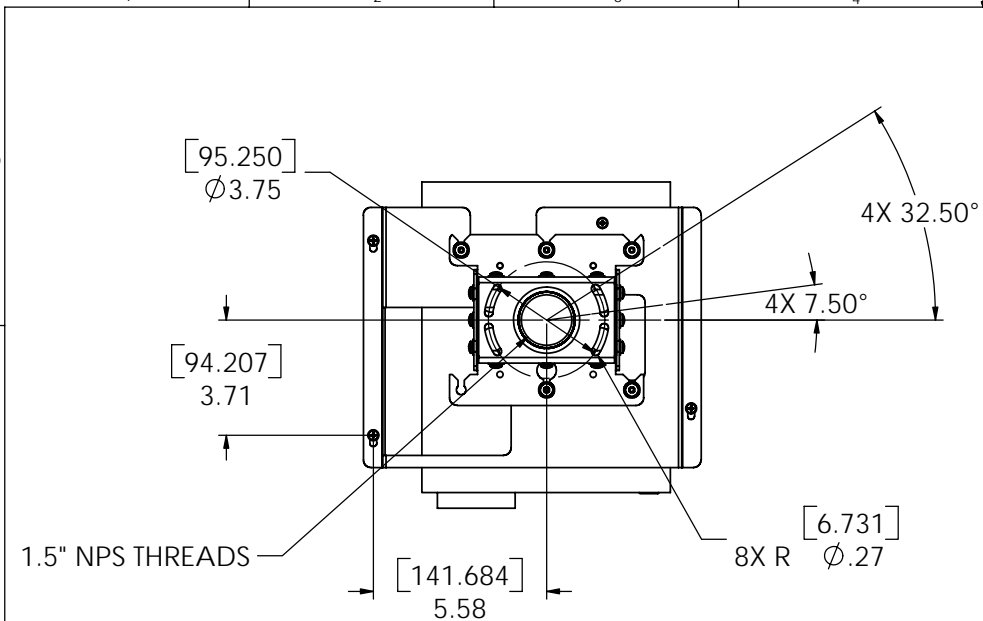


MANUFACTURER	MODEL	X	Y	Z
EPSON	EMP-61P	N/A	N/A	N/A
EPSON	EMP-81P	N/A	N/A	N/A
EPSON	EMP-82P	N/A	N/A	N/A
EPSON	EMP-830P	N/A	N/A	N/A
EPSON	EMP-835P	N/A	N/A	N/A



CHIEF MANUFACTURING INC.
 MOUNT ORDER NUMBER IS RPA-149
 PHONE: 1-800-582-6480

THE INFORMATION AND DESIGNS CONTAINED IN THIS DRAWING ARE CONFIDENTIAL AND THE PROPRIETARY PROPERTY OF CHIEF MFG., INC. NEITHER THIS DESIGN NOR ANY INFORMATION CONTAINED IN THIS DRAWING MAY BE REPRODUCED OR DISCLOSED TO OTHERS WITHOUT THE EXPRESS WRITTEN CONSENT OF CHIEF MFG., INC.

CHIEF 8401 EAGLE CREEK PKY
 SAVAGE, MN 55378
 PHONE: 952-894-6280
 FAX: 877-894-6918

TITLE
 CUSTOMER PRINT,
 SEE LISTING IN UPPER RIGHT CORNER
 FOR MODELS THIS BRACKET FITS

SEE DWG. NO.
B RPA-149