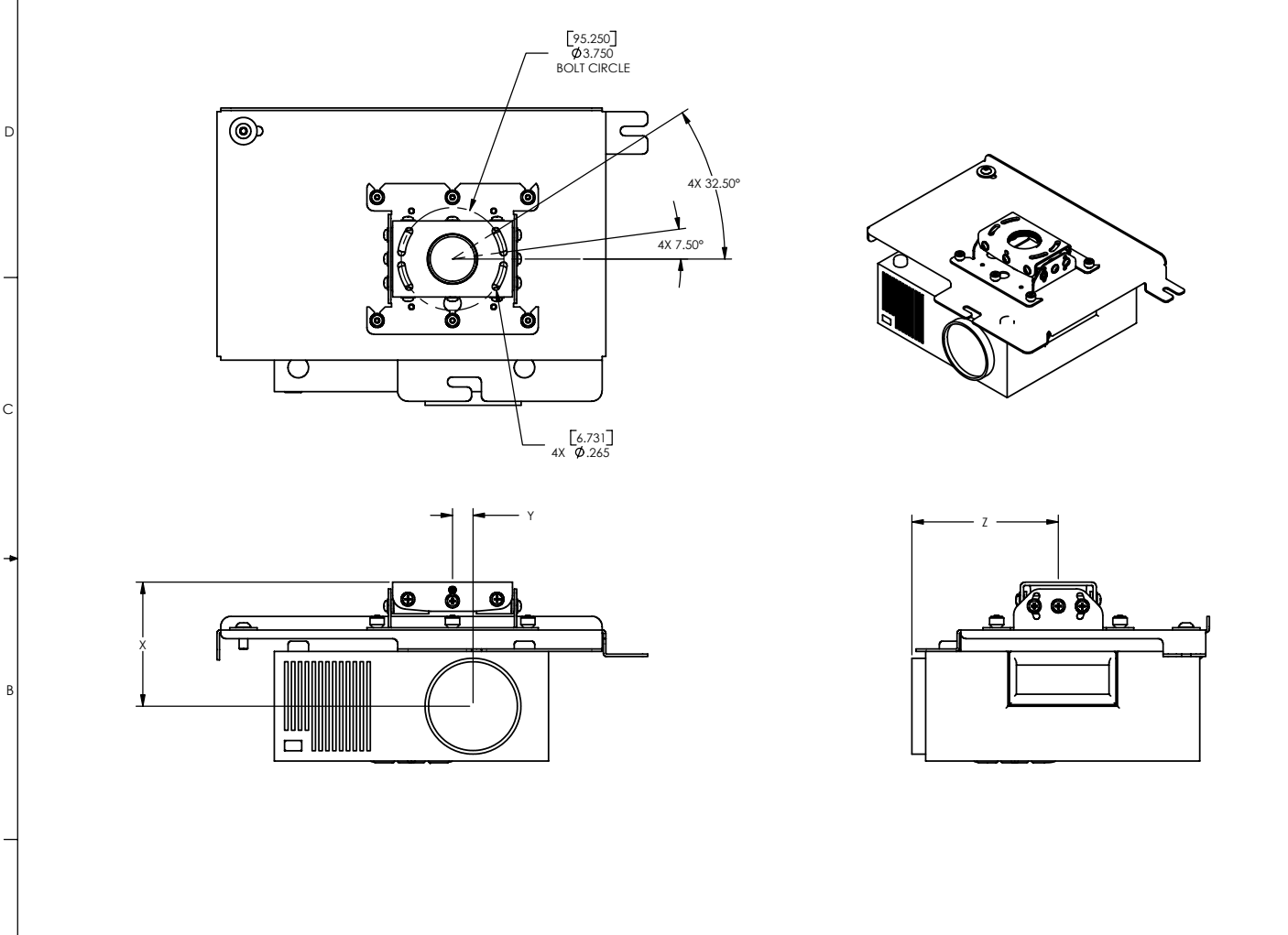


1 2 3 4 5 6 7 8



MANUFACTURER	MODEL	X	Y	Z
Dukane	ImagePro 9000			
Dukane	ImagePro 9000D			
Dukane	ImagePro 9001			
Dukane	ImagePro 9011			
Dukane	ImagePro 9015			
FAROUDJA	FDP-DILA1			
Hughes	JVC-DILAG15			
Hughes	JVC-DILAG1500			
Hughes	JVC-			
JVC	DLA-G10			
JVC	DLA-G1000			
JVC	DLA-G11U			
JVC	DLA-G1500			
JVC	DLA-G15U			
JVC	DLA-M1500			
JVC	DLA-M15U			
JVC	DLA-S10			
JVC	DLA-S1000			
JVC	DLA-S15U			
Madrical	MP-D1			
Panasonic	PT-D995U			

RPA-1500  
D  
C  
B  
A



**CHIEF MANUFACTURING INC.**  
MOUNT ORDER NUMBER IS RPA-1500  
PHONE: 1-800-582-6480

THE INFORMATION AND DESIGNS CONTAINED IN THIS DRAWING ARE CONFIDENTIAL AND THE PROPRIETARY PROPERTY OF CHIEF MFG., INC. NEITHER THIS DESIGN NOR ANY INFORMATION CONTAINED IN THIS DRAWING MAY BE REPRODUCED OR DISCLOSED TO OTHERS WITHOUT THE EXPRESS WRITTEN CONSENT OF CHIEF MFG., INC.

**CHIEF** MANUFACTURING, INC.  
12800 HWY 13 SOUTH STE. 500 • SAVAGE, MN. 55378  
1.800.582.6480 • fax 1.877.894.6918

TITLE  
**CUSTOMER PRINT,  
SEE LISTING IN UPPER RIGHT CORNER  
FOR MODELS THIS BRACKET FITS.**

REV. BRACKET NO.  
**00 RPA-1500**

1 2 3 4 5 6 7 8