

1 2 3 4 5 6 7

RPA-195

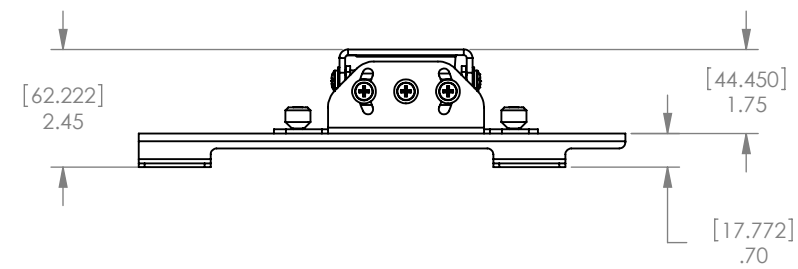
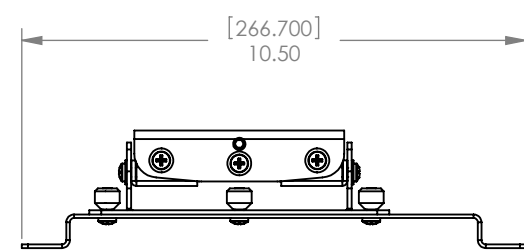
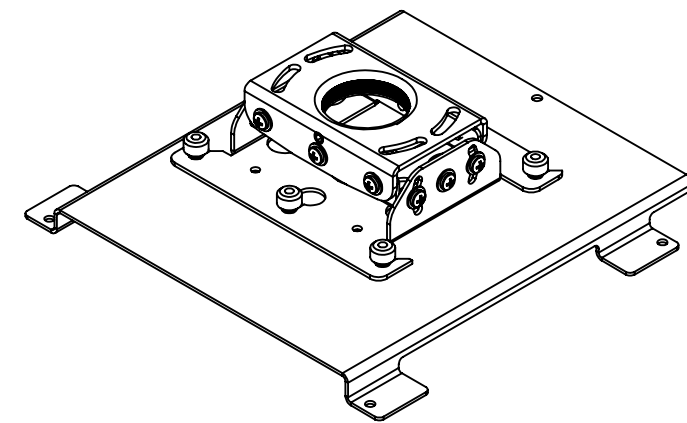
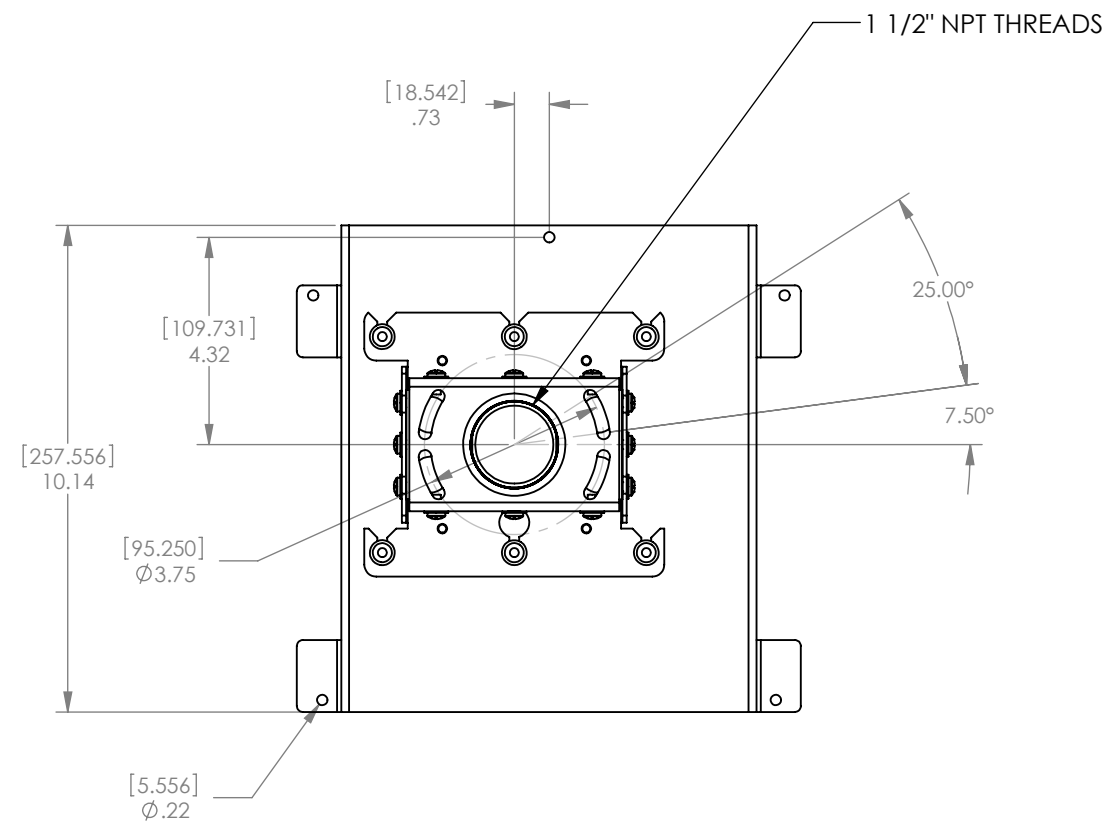
D

8

C

B

A



CHIEF MANUFACTURING INC.
MOUNT ORDER NUMBER IS RPA-195
PHONE: 1-800-582-6480

SCALE = 1 : 4

CHIEF 8401 EAGLE CREEK PKY
 SAVAGE, MN 55378
 PHONE: 952-894-6280
 FAX: 877-894-6918

TITLE
**CUSTOMER PRINT,
 RPA-195**

SIZE | DWG. NO.
B | RPA-195

1 2 3 4 5 6 7 8