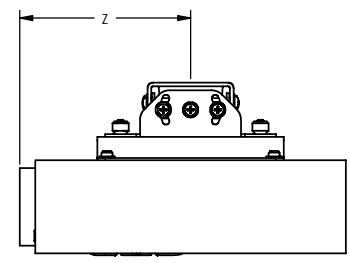
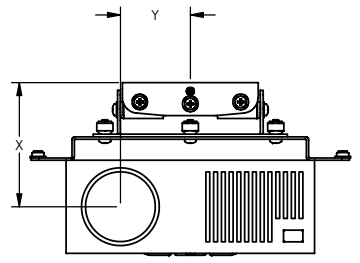
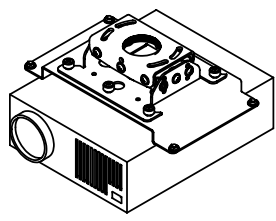
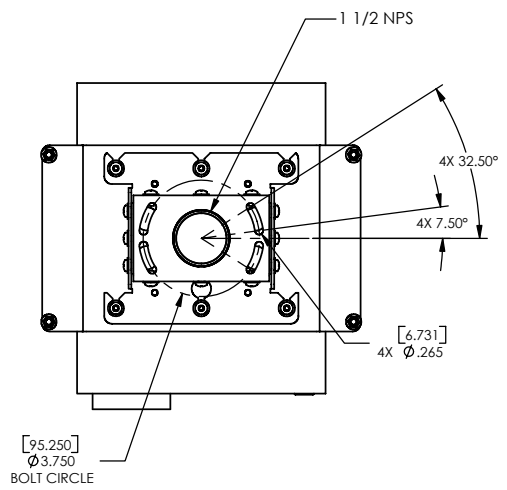


MANUFACTURER	MODEL	X	Y	Z
Dukane	ImagePro 8020A			
Epson	ELP 5000			
Epson	ELP 5000XB			
Epson	ELP 5100			
Epson	ELP 7000			
Epson	ELP 7000XB			
Epson	ELP 7000			
Epson	ELP 7100			
JVC	LX-D500U			
JVC	LX-D700U			

RPA-5000



CHIEF MANUFACTURING INC.
MOUNT ORDER NUMBER IS RPA-5000
PHONE: 1-800-582-6480

THE INFORMATION AND DESIGNS CONTAINED IN THIS DRAWING ARE CONFIDENTIAL AND THE PROPRIETARY PROPERTY OF CHIEF MFG., INC. NEITHER THIS DESIGN NOR ANY INFORMATION CONTAINED IN THIS DRAWING MAY BE REPRODUCED OR DISCLOSED TO OTHERS WITHOUT THE EXPRESS WRITTEN CONSENT OF CHIEF MFG., INC.

CHIEF MANUFACTURING, INC.
 12800 HWY 13 SOUTH STE. 500 • SAVAGE, MN 55378
 1.800.582.6480 • Fax 1.877.894.6918

TITLE
CUSTOMER PRINT.
 SEE LISTING IN UPPER RIGHT CORNER FOR MODELS THIS BRACKET FITS.

REV. 00 BRACKET NO. **RPA-5000**