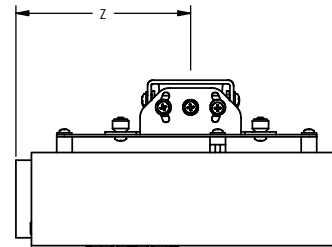
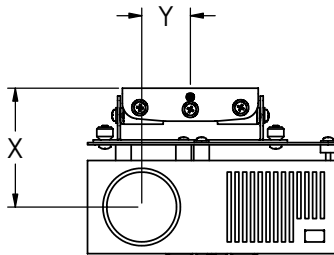
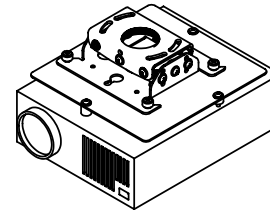
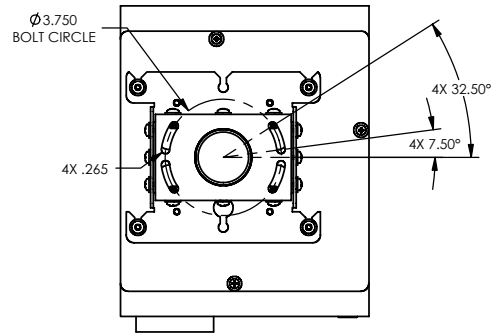


RPA-570

MANUFACTURER	MODEL	X	Y	Z
Panasonic	PT-L750U	4.625	L1.093	8.000
Panasonic	PT-L780NTU	4.625	L1.093	8.000
Panasonic	PT-L780U	4.625	L1.093	8.000



PROJECTOR SHOWN FOR LENS POSITION ONLY.  
SEE PROJECTOR VENDOR PHOTOS OR DRAWINGS  
FOR EXACT MODEL.



**CHIEF MANUFACTURING INC.**  
MOUNT ORDER NUMBER IS RPA-570  
PHONE: 1-800-582-6480

THE INFORMATION AND DESIGNS CONTAINED  
IN THIS DRAWING ARE CONFIDENTIAL AND THE  
PROPRIETARY PROPERTY OF CHIEF MFG., INC.  
NEITHER THIS DESIGN NOR ANY INFORMATION  
CONTAINED IN THIS DRAWING MAY BE  
REPRODUCED OR DISCLOSED TO OTHERS  
WITHOUT THE EXPRESS WRITTEN CONSENT OF  
CHIEF MFG., INC.

**CHIEF** MANUFACTURING, INC.  
12800 HWY 13 SOUTH STE. 500 • SAVAGE, MN 55378  
1.800.582.6480 • Fax 1.877.894.6918

TITLE  
**CUSTOMER PRINT.**  
SEE LISTING IN UPPER RIGHT CORNER  
FOR MODELS THIS BRACKET FITS.

REV. 00 BRACKET NO. **RPA-570**