

MANUFACTURER	MODEL	X	Y	Z
Epson	EMP-600p			
Epson	EMP-800p			
Epson	EMP-810p			
Epson	EMP-811p			
Epson	EMP-820p			
Epson	EMP-TS10			
Epson	EMP-			

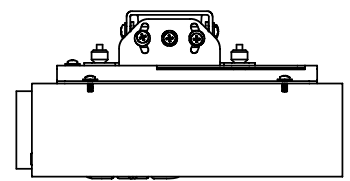
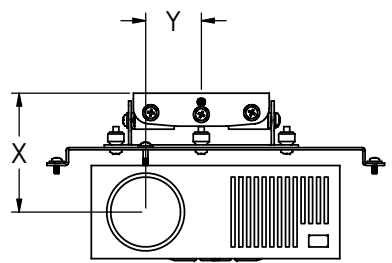
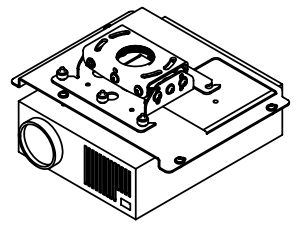
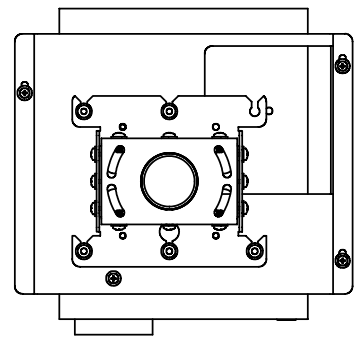
RPA-6000

D

C

B

A



**CHIEF MANUFACTURING INC.**  
**MOUNT ORDER NUMBER IS RPA-6000**  
**PHONE: 1-800-582-6480**

THE INFORMATION AND DESIGNS CONTAINED IN THIS DRAWING ARE CONFIDENTIAL AND THE PROPRIETARY PROPERTY OF CHIEF MFG., INC. NEITHER THIS DESIGN NOR ANY INFORMATION CONTAINED IN THIS DRAWING MAY BE REPRODUCED OR DISCLOSED TO OTHERS WITHOUT THE EXPRESS WRITTEN CONSENT OF CHIEF MFG., INC.

**CHIEF** MANUFACTURING, INC.  
 12800 HWY 13 SOUTH STE. 500 • SAVAGE, MN 55378  
 1.800.582.6480 • Fax 1.877.894.6918

TITLE  
**CUSTOMER PRINT.**  
**SEE LISTING IN UPPER RIGHT CORNER FOR MODELS THIS BRACKET FITS.**

REV. 00 BRACKET NO. **RPA-6000**

