

1 2 3 4 5 6 7 8

D

C

B

A

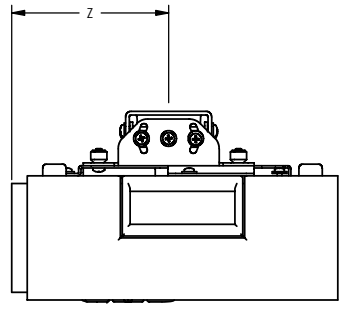
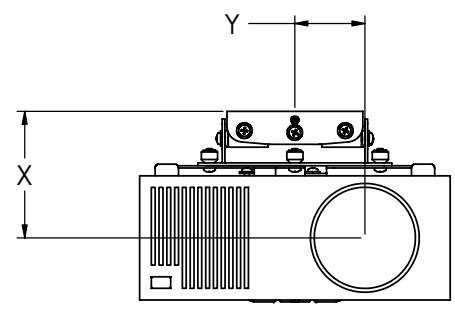
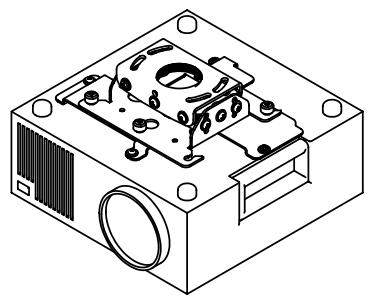
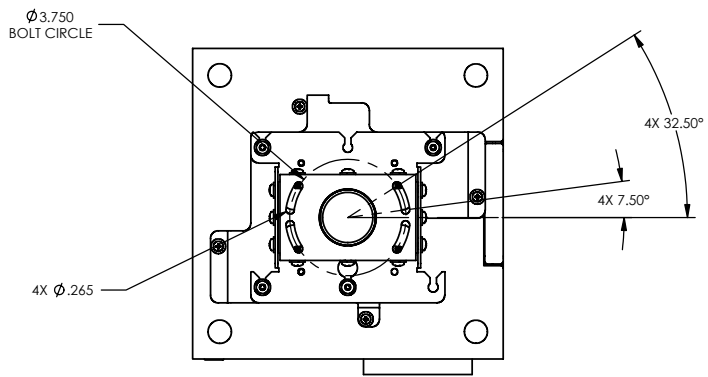
RPA-620

D

C

B

A



MANUFACTURER	MODEL	X	Y	Z
Canon	LV-5210	3.875	R 3.15625	5.125
Canon	LV-7210	3.875	R 3.15625	5.125
Canon	LV-7215	3.875	R 3.15625	5.125
Christie	Vivid LX25	3.875	R 3.15625	5.125
Eiki	LC-SB20	3.875	R 3.15625	5.125
Eiki	LC-XB15	3.875	R 3.15625	5.125
Eiki	LC-XB20	3.875	R 3.15625	5.125
Eiki	LC-XB25	3.875	R 3.15625	5.125
Sanyo	PLC-SU50	3.875	R 3.15625	5.125
Sanyo	PLC-XU25	3.875	R 3.15625	5.125
Sanyo	PLC-XU50	3.875	R 3.15625	5.125
Sanyo	PLC-XU55	3.875	R 3.15625	5.125

PROJECTOR SHOWN FOR LENS POSITION ONLY.
SEE PROJECTOR VENDOR PHOTOS OR DRAWINGS
FOR EXACT MODEL.



CHIEF MANUFACTURING INC.
MOUNT ORDER NUMBER IS RPA-620
PHONE: 1-800-582-6480

THE INFORMATION AND DESIGNS CONTAINED
IN THIS DRAWING ARE CONFIDENTIAL AND THE
PROPRIETARY PROPERTY OF CHIEF MFG., INC.
NEITHER THIS DESIGN NOR ANY INFORMATION
CONTAINED IN THIS DRAWING MAY BE
REPRODUCED OR DISCLOSED TO OTHERS
WITHOUT THE EXPRESS WRITTEN CONSENT OF
CHIEF MFG., INC.

CHIEF MANUFACTURING, INC.
12800 HWY 13 SOUTH STE. 500 • SAVAGE, MN 55378
1.800.582.6480 • Fax 1.877.894.6918

TITLE
CUSTOMER PRINT.
SEE LISTING IN UPPER RIGHT CORNER
FOR MODELS THIS BRACKET FITS.

REV. 00 BRACKET NO. **RPA-620**

1 2 3 4 5 6 7 8