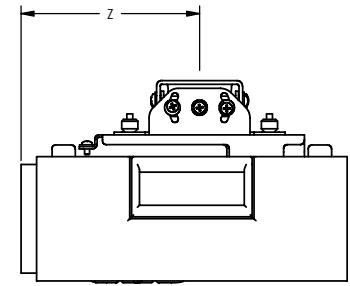
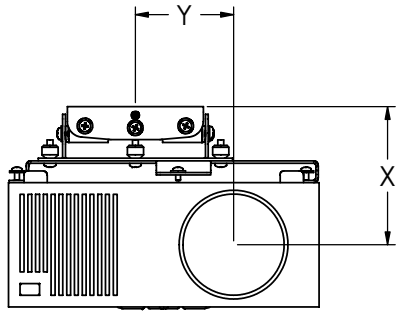
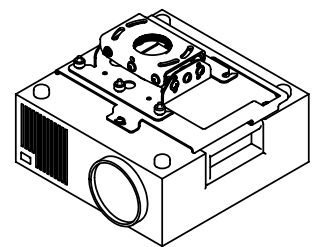
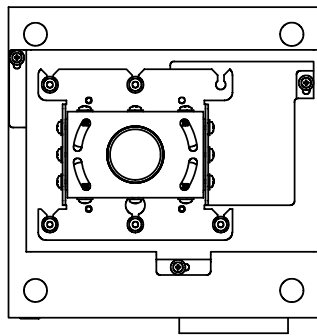


1 2 3 4 5 6 7 8

D  
C  
B  
A



MANUFACTURER	MODEL	X	Y	Z
Boxlight	CP-12t			
Boxlight	CP-16t			
Boxlight	CP-18t			
Boxlight	CP-19t			
Boxlight	CP-300t			
Boxlight	CP-305t			
Boxlight	CP-306t			
Boxlight	CP-310t			
Boxlight	CP-315t			
Canon	LV-5200			
Canon	LV-7340			
Canon	LV-7345			
Canon	LV-7350			
Canon	LV-7355			
Christie	Vivid LX20			
Eiki	LC-NB3EU			
Eiki	LC-NB3S			
Eiki	LC-NB3W			
Eiki	LC-NB4			
Eiki	LC-NB4S			
Eiki	LC-NB5			
Eiki	LC-XNB3			
Eiki	LC-XNB3S			
Eiki	LC-XNB3W			
Eiki	LC-XNB4			
Eiki	LC-XNB4M			
Eiki	LC-XNB4MS			
Eiki	LC-XNB4S			
Sanyo	PLC-SU30			
Sanyo	PLC-SU31			
Sanyo	PLC-SU32			
Sanyo	PLC-SU33			
Sanyo	PLC-SU40			
Sanyo	PLC-XU30			
Sanyo	PLC-XU31			
Sanyo	PLC-XU32			
Sanyo	PLC-XU33			
Sanyo	PLC-XU35			
Sanyo	PLC-XU37			
Sanyo	PLC-XU38			
Sanyo	PLC-XU40			
Sanyo	PLC-XU45			
Sanyo	PLC-XU46			

RPA-7345  
D  
C  
B  
A



**CHIEF MANUFACTURING INC.**  
MOUNT ORDER NUMBER IS RPA-7345  
PHONE: 1-800-582-6480

THE INFORMATION AND DESIGNS CONTAINED IN THIS DRAWING ARE CONFIDENTIAL AND THE PROPRIETARY PROPERTY OF CHIEF MFG., INC. NEITHER THIS DESIGN NOR ANY INFORMATION CONTAINED IN THIS DRAWING MAY BE REPRODUCED OR DISCLOSED TO OTHERS WITHOUT THE EXPRESS WRITTEN CONSENT OF CHIEF MFG., INC.

**CHIEF** MANUFACTURING, INC.  
12800 HWY 13 SOUTH STE. 500 • SAVAGE, MN 55378  
1.800.582.6480 • Fax 1.877.894.6918

TITLE  
**CUSTOMER PRINT.**  
SEE LISTING IN UPPER RIGHT CORNER FOR MODELS THIS BRACKET FITS.

REV. 00 BRACKET NO. **RPA-7345**

1 2 3 4 5 6 7 8