

RPM-107

D

C

B

A

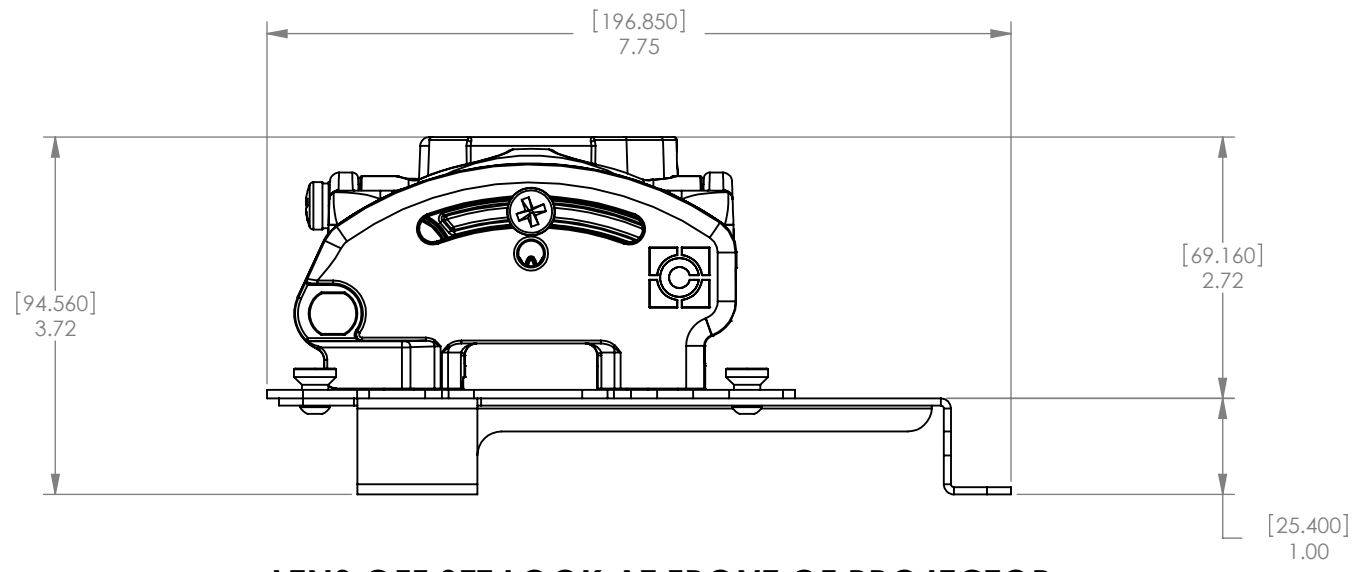
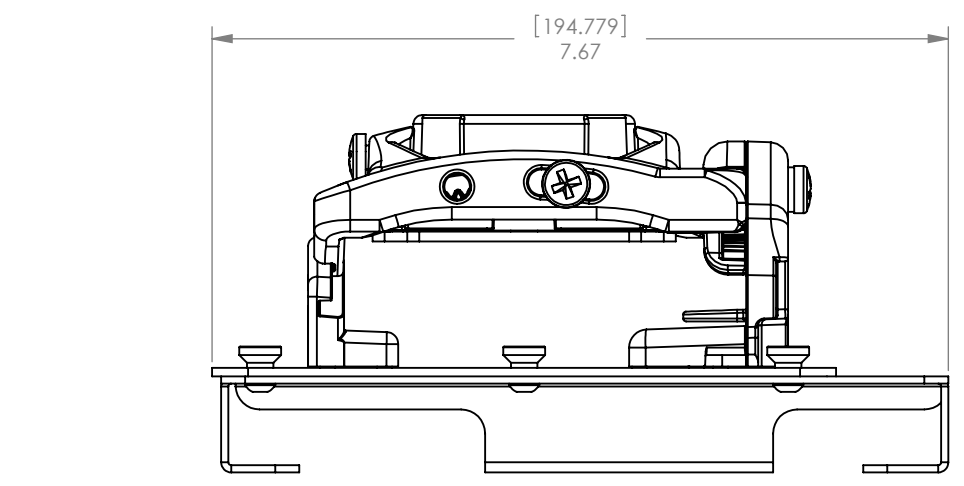
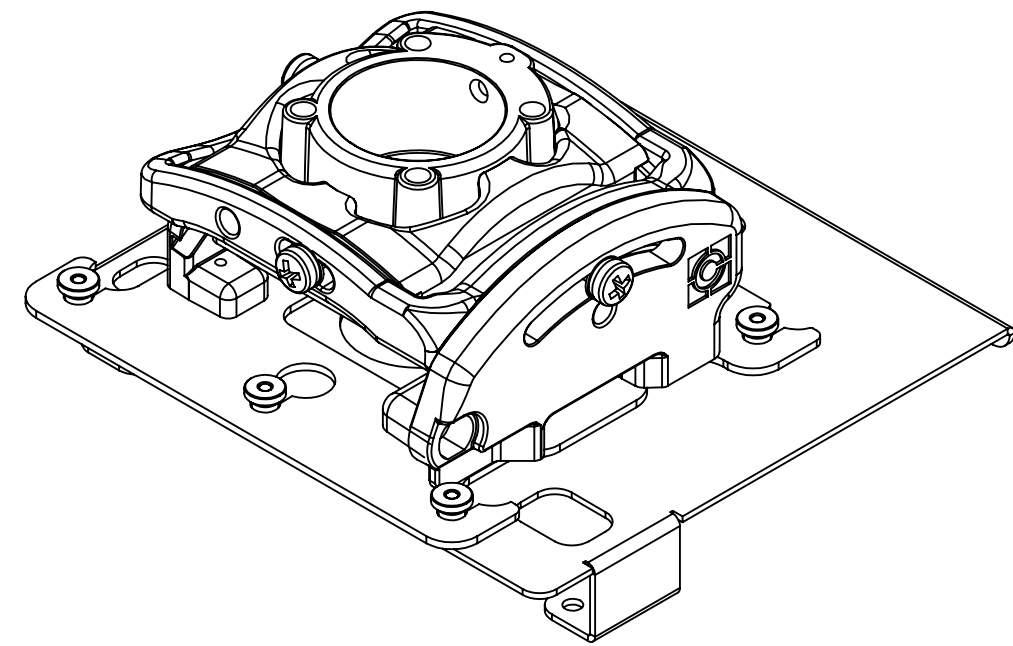
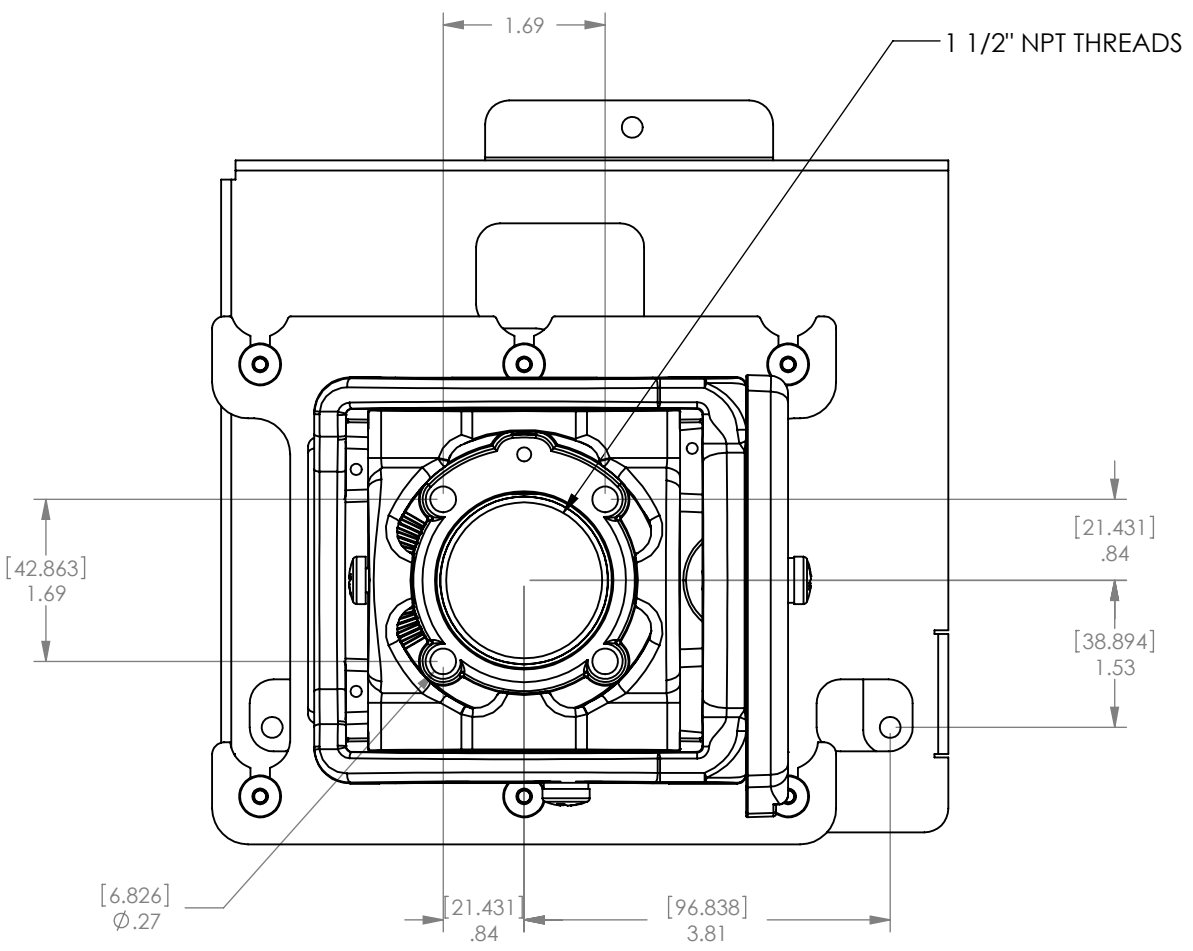
8

C

B

A

1 2 3 4 5 6 7



LENS OFF SET LOOK AT FRONT OF PROJECTOR

FROM TOP OF MOUNT TO CENTER OF LENS  
FLUSH MOUNTED, 7.703"

FROM CENTER OF MOUNT OR PIPE TO CENTER  
OF LENS, RIGHT 0.907"

FROM FRONT OF PROJECTOR LENS TO CENTER  
OF MOUNT OR PIPE, 7.343"

SCALE = 1 : 3



CHIEF MANUFACTURING INC.

MOUNT ORDER NUMBER IS RPM-107  
PHONE: 1-800-582-6480

**CHIEF** 8401 EAGLE CREEK PKY  
SAVAGE, MN 55378  
PHONE: 952-894-6280  
FAX: 877-894-6918

TITLE  
CUSTOMER PRINT,  
RPM-107

SIZE DWG. NO.  
B RPM-107

1 2 3 4 5 6 7 8