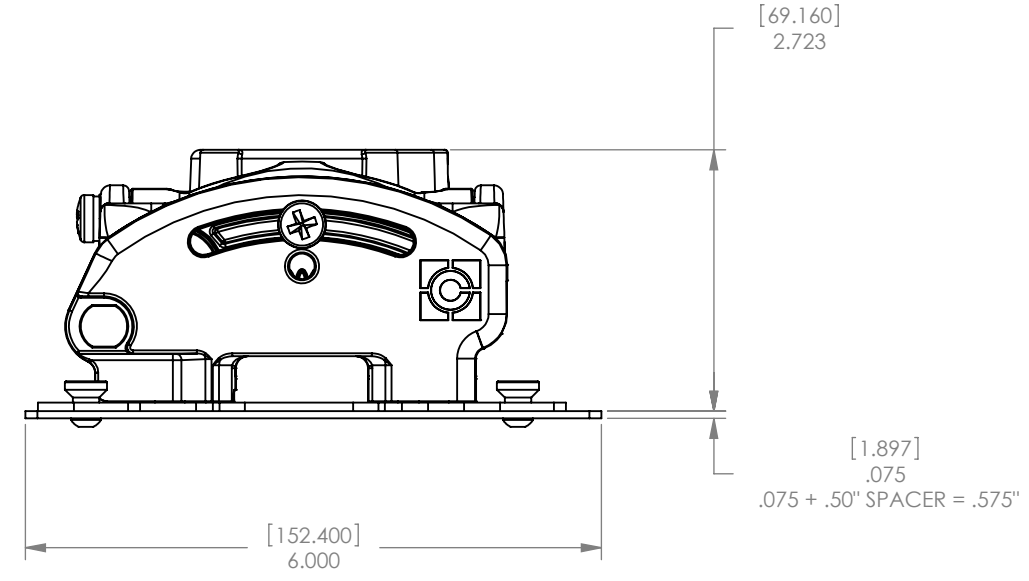
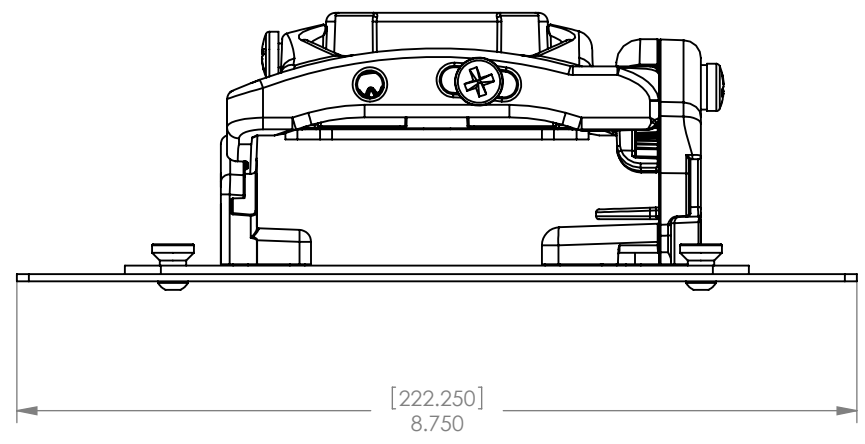
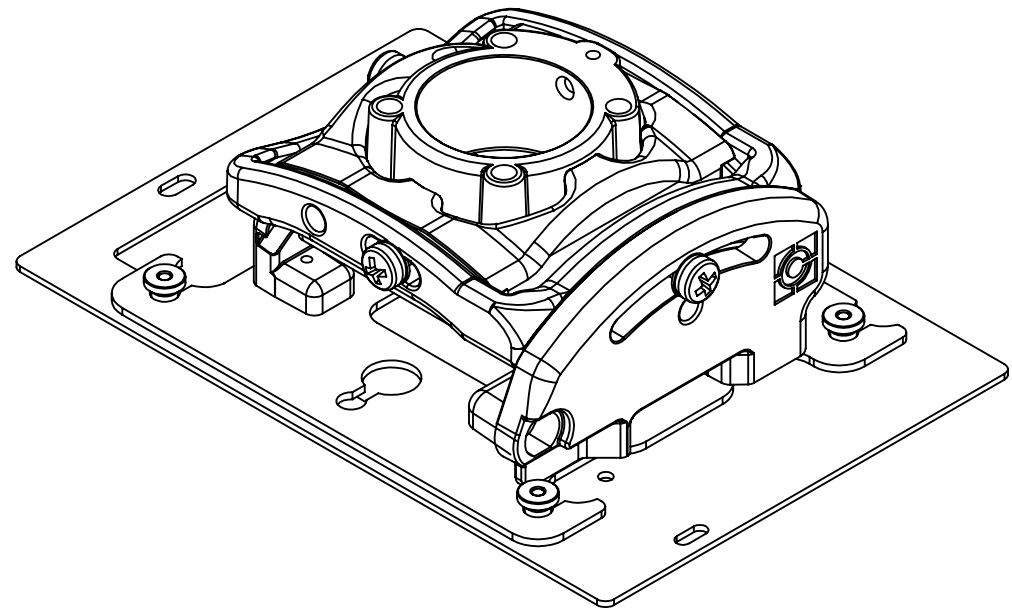
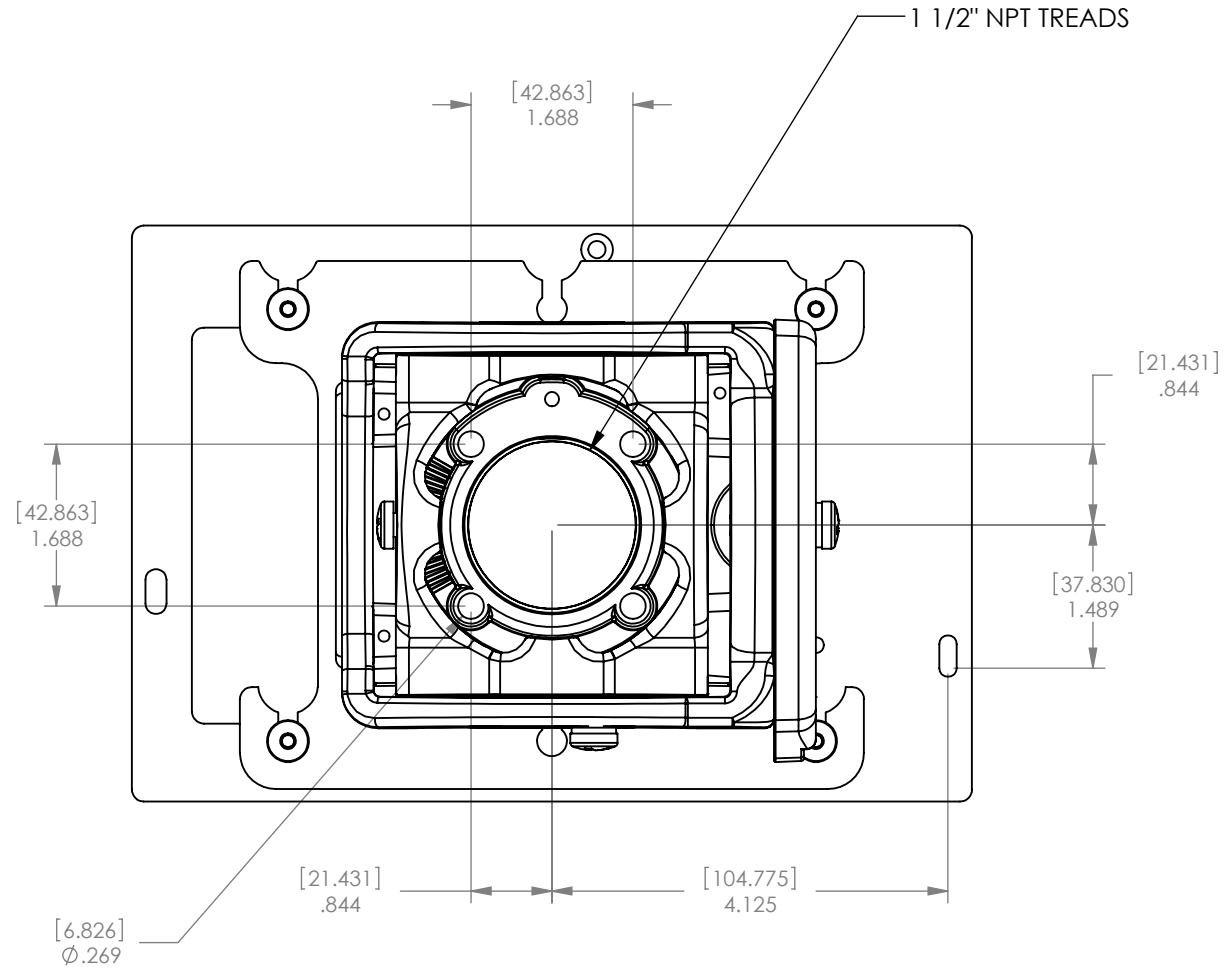



1 2 3 4 5 6 7 8

BRACKET ORDER # RPM-121



**CHIEF MANUFACTURING INC.**  
**MOUNT ORDER NUMBER IS RPM-121**  
**PHONE: 1-800-582-6480**

**SCALE = 1 : 2**

 8401 EAGLE CREEK PKY SAVAGE, MN 55378 PHONE: 952-894-6280 FAX: 877-894-6918	
TITLE <b>CUSTOMER PRINT</b> <b>RPM-121,</b>	
SIZE <b>B</b>	DWG. NO. <b>BRACKET ORDER # RPM-121</b>

1 2 3 4 5 6 7 8