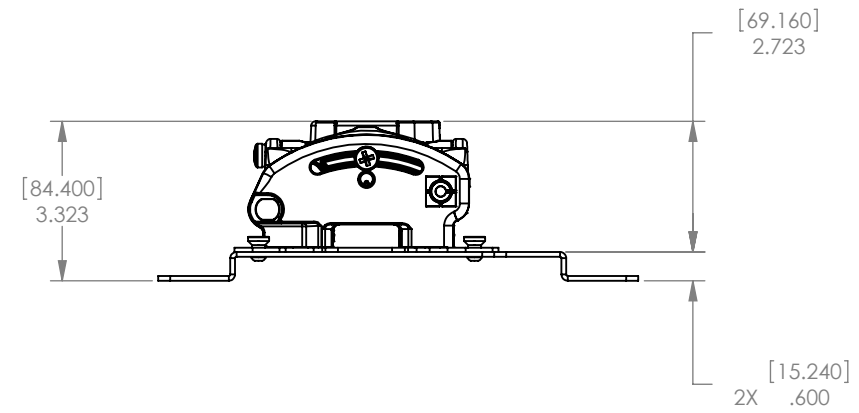
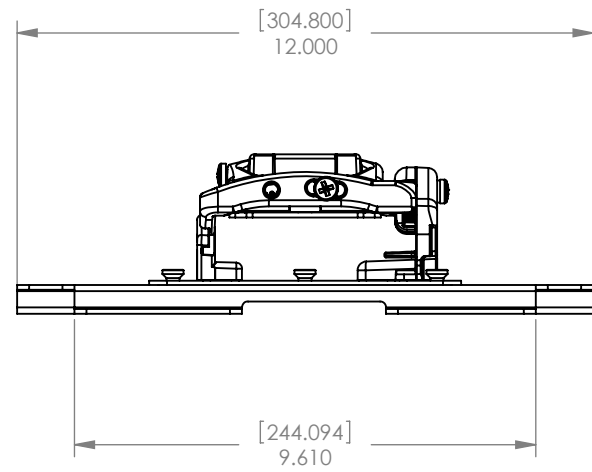
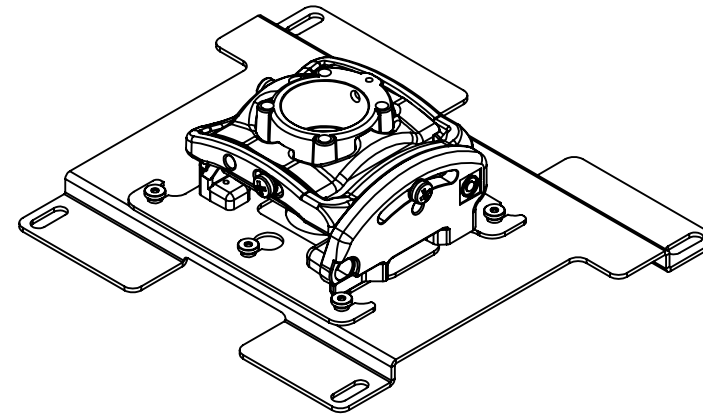
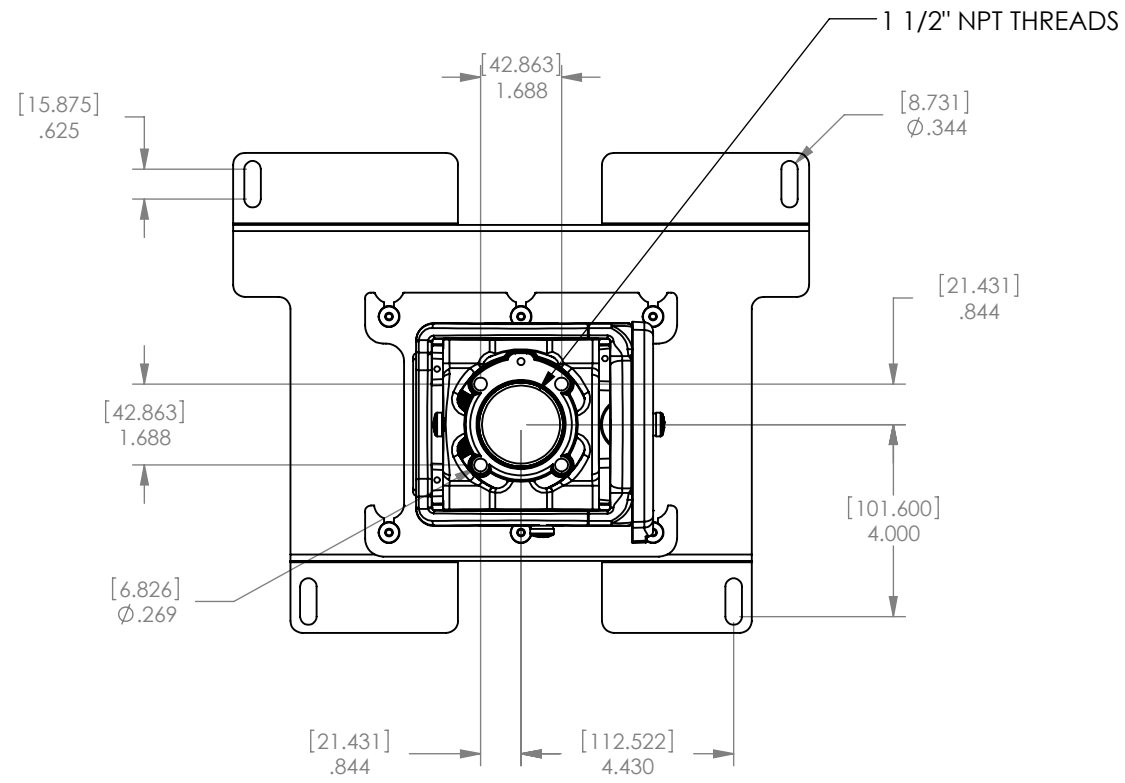


1 2 3 4 5 6 7 8

BRACKET ORDER # RPM-129



CHIEF MANUFACTURING INC.

MOUNT ORDER NUMBER IS RPM-129
PHONE: 1-800-582-6480

SCALE = 1 : 4

CHIEF 8401 EAGLE CREEK PKY
SAVAGE, MN 55378
PHONE: 952-894-6280
FAX: 877-894-6918

TITLE
CUSTOMER PRINT
RPM-129,

SIZE | DWG. NO.
B BRACKET ORDER # RPM-129

1 2 3 4 5 6 7 8