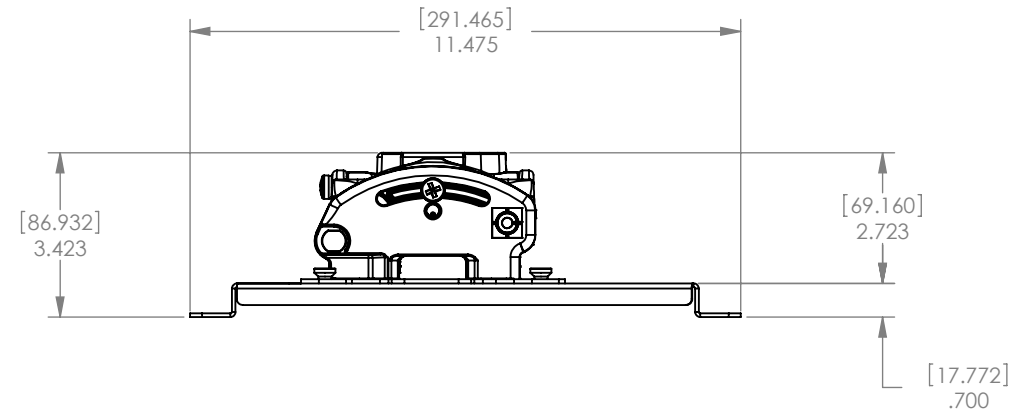
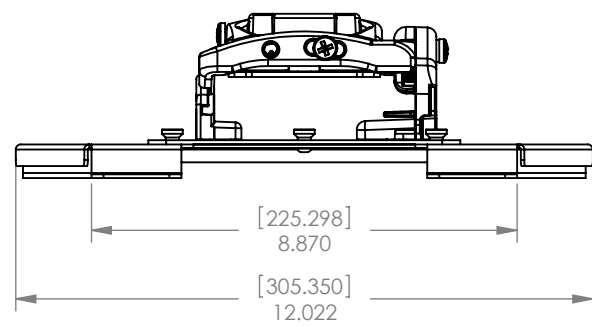
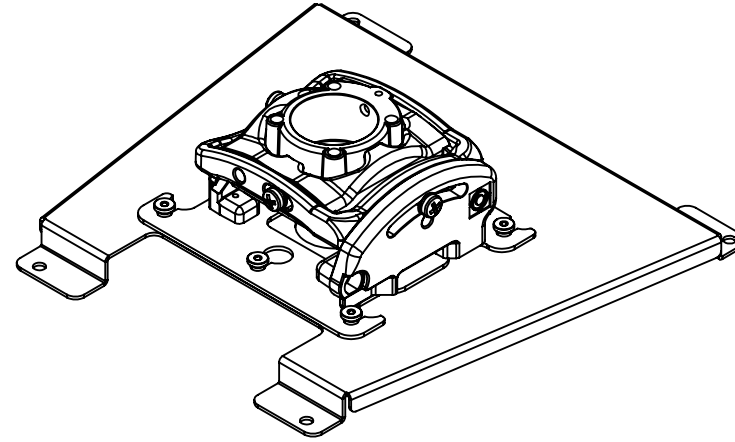
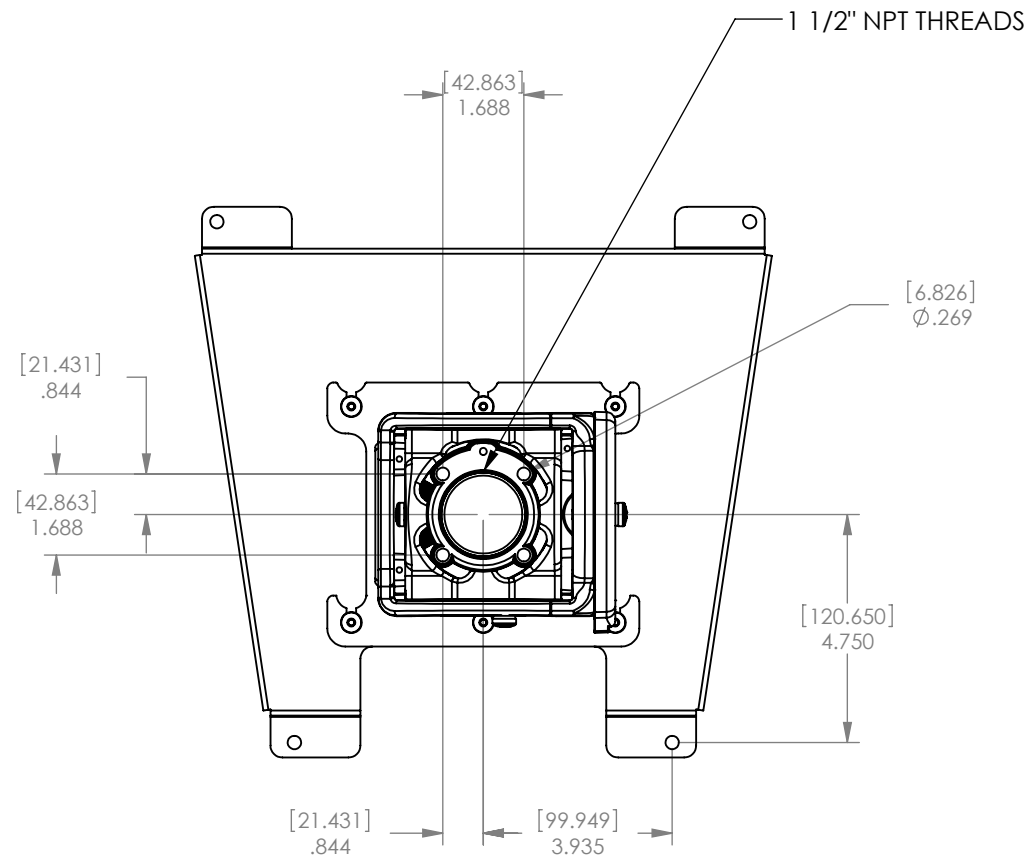


1 2 3 4 5 6 7 8

BRACKET ORDER # RPM-176



CHIEF MANUFACTURING INC.

MOUNT ORDER NUMBER IS RPM-176  
PHONE: 1-800-582-6480

SCALE = 1 : 4

**CHIEF** 8401 EAGLE CREEK PKY  
SAVAGE, MN 55378  
PHONE: 952-894-6280  
FAX: 877-894-6918

TITLE  
CUSTOMER PRINT  
RPM176,

SIZE DWG. NO.  
B BRACKET ORDER # RPM-176

1 2 3 4 5 6 7 8