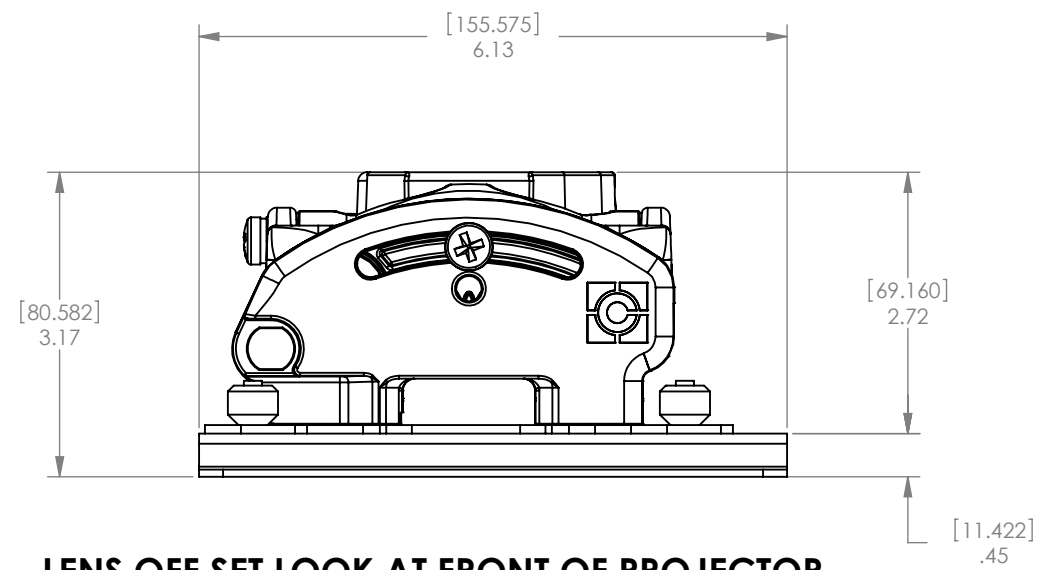
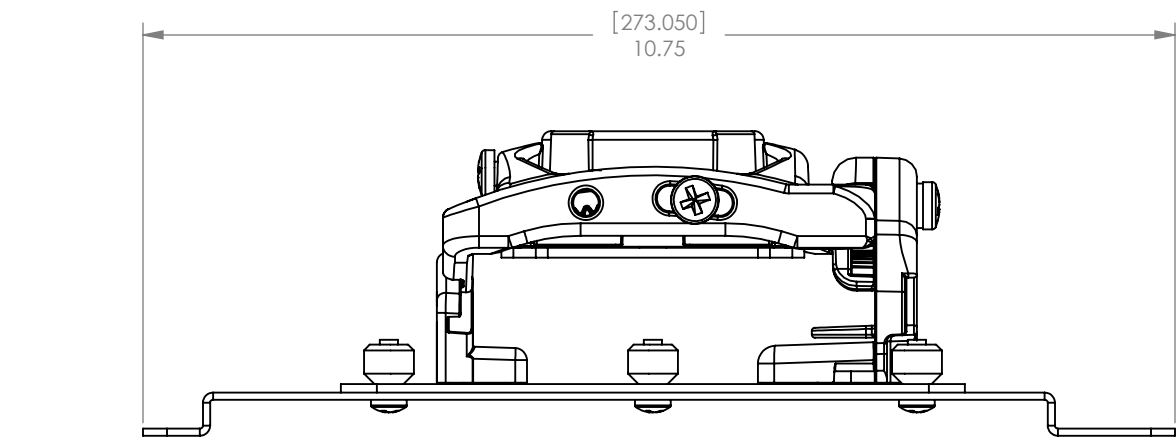
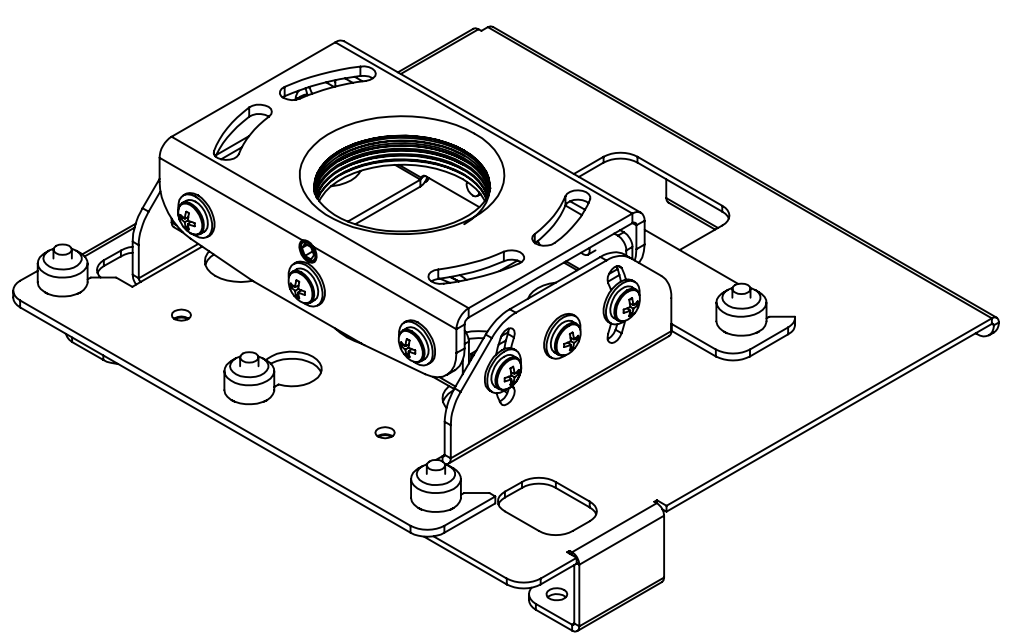
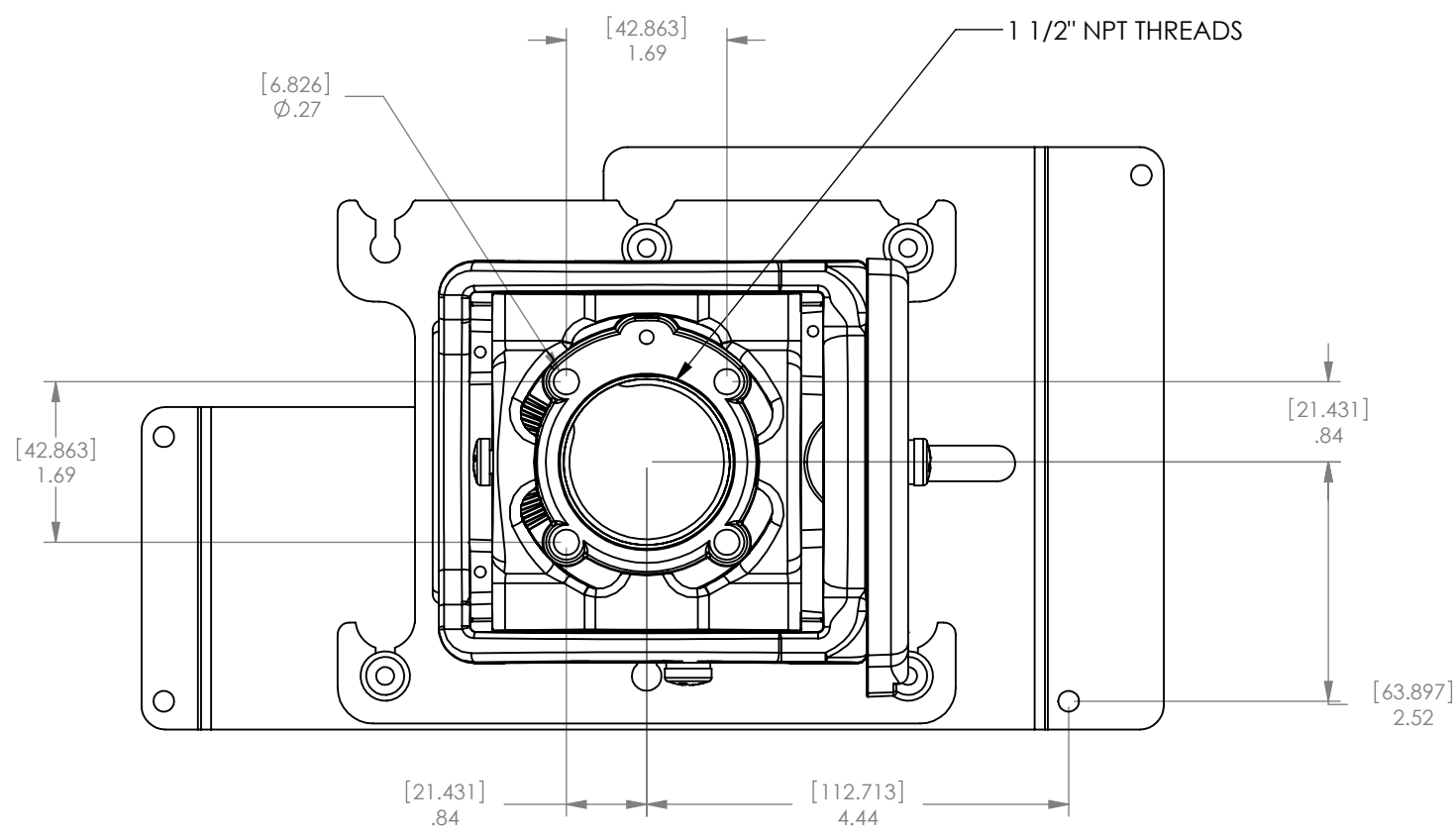


1 2 3 4 5 6 7

RPM-178



LENS OFF SET LOOK AT FRONT OF PROJECTOR

**FROM TOP OF MOUNT TO CENTER OF LENS
FLUSH MOUNTED, 5.375"**

**FROM CENTER OF MOUNT OR PIPE TO CENTER
OF LENS, LEFT 3.125"**

**FROM FRONT OF PROJECTOR LENS TO CENTER
OF MOUNT OR PIPE, 5.50"**

SCALE = 1 : 2



CHIEF MANUFACTURING INC.

MOUNT ORDER NUMBER IS RPM-178

PHONE: 1-800-582-6480

CHIEF 8401 EAGLE CREEK PKY
SAVAGE, MN 55378
PHONE: 952-894-6280
FAX: 877-894-6918

TITLE
**CUSTOMER PRINT,
RPM-178**

SIZE | DWG. NO. | **RPM-178**

1 2 3 4 5 6 7 8