

CHIEF MANUFACTURING INC.

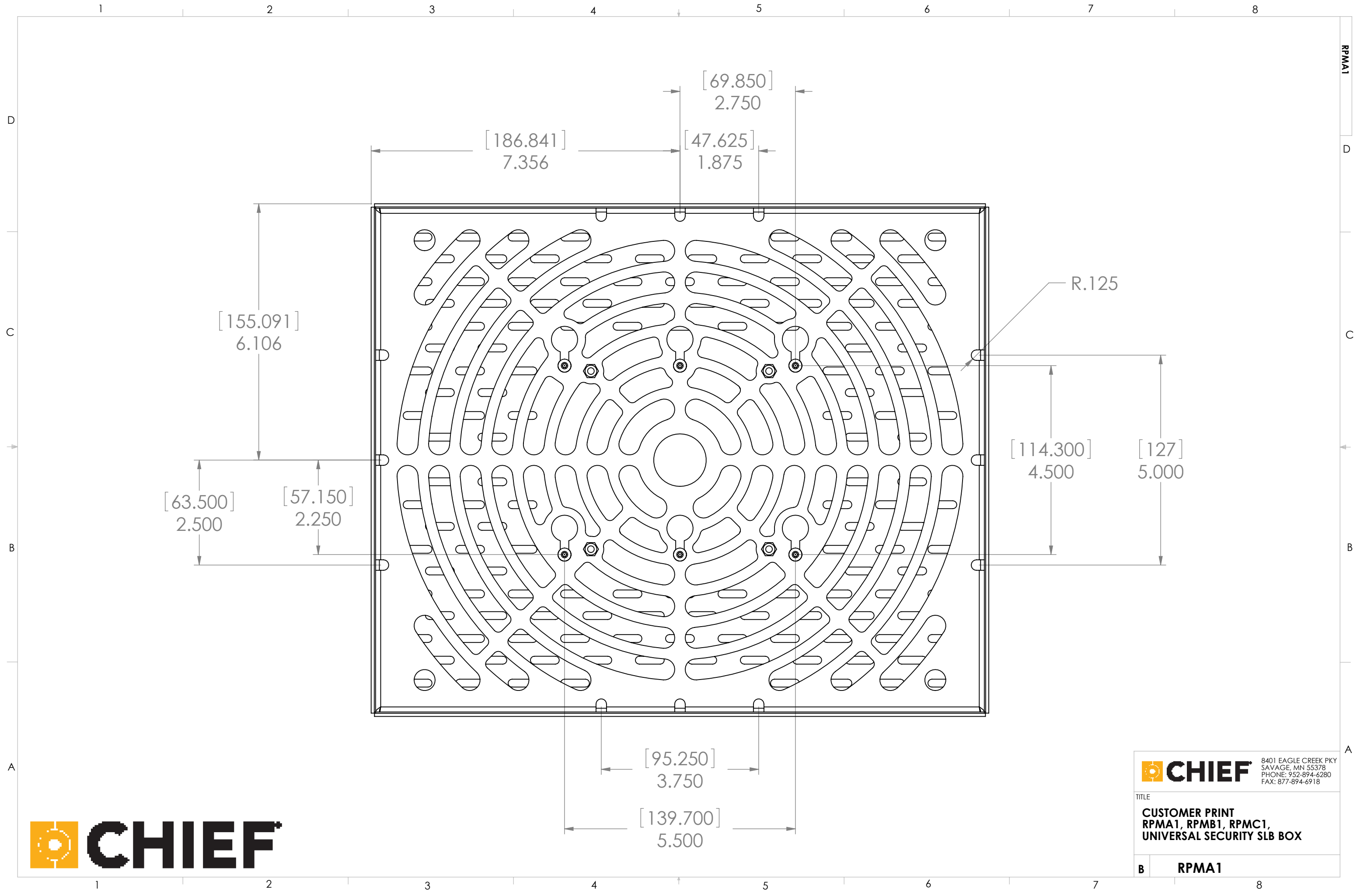
**MOUNT ORDER NUMBER IS RPMA1, RPMB1, RPMC1
PHONE: 1-800-582-6480**

**THE INFORMATION AND DESIGNS CONTAINED
IN THIS DRAWING ARE CONFIDENTIAL AND THE
PROPRIETARY PROPERTY OF CHIEF MFG., INC.
NEITHER THIS DESIGN NOR ANY INFORMATION
CONTAINED IN THIS DRAWING MAY BE
REPRODUCED OR DISCLOSED TO OTHERS
WITHOUT THE EXPRESS WRITTEN CONSENT OF
CHIEF MFG., INC.**

CHIEF 8401 EAGLE CREEK PKY
SAVAGE, MN 55378
PHONE: 952-894-6280
FAX: 877-894-6918

TITLE
**CUSTOMER PRINT
RPMA1, RPMB1, RPMC1,
UNIVERSAL SECURITY SLB BOX**

SIZE DWG. NO.
B RPMA1



CHIEF 8401 EAGLE CREEK PKY
SAVAGE, MN 55378
PHONE: 952-894-6280
FAX: 877-894-6918

TITLE
**CUSTOMER PRINT
RPMA1, RPMB1, RPMC1,
UNIVERSAL SECURITY SLB BOX**

B RPMA1