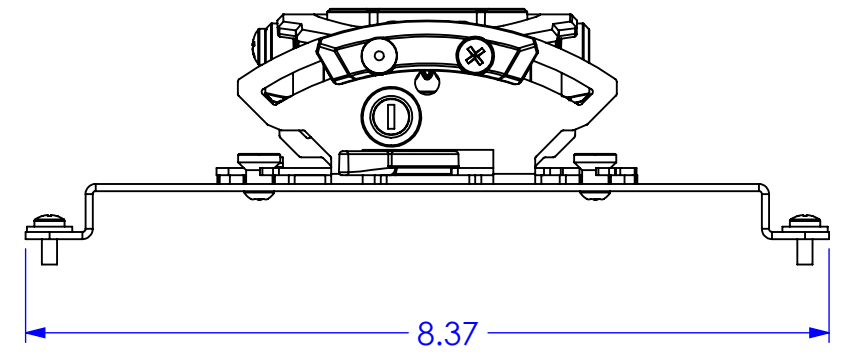
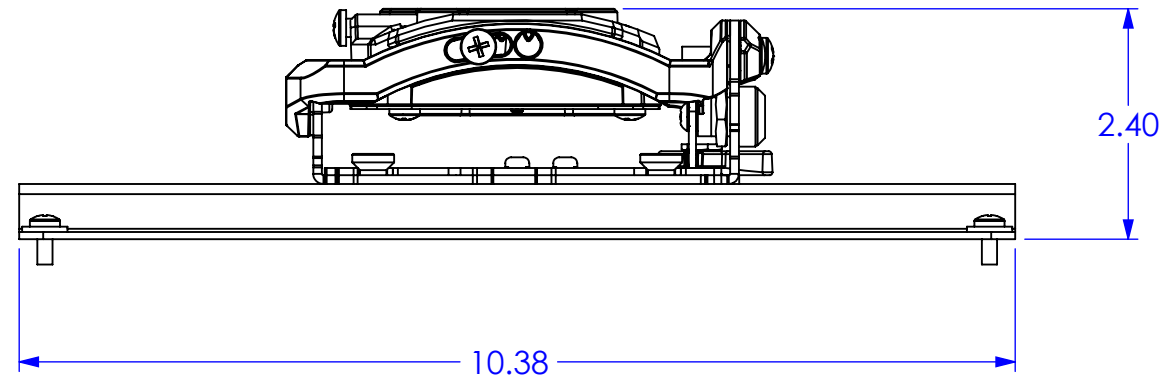
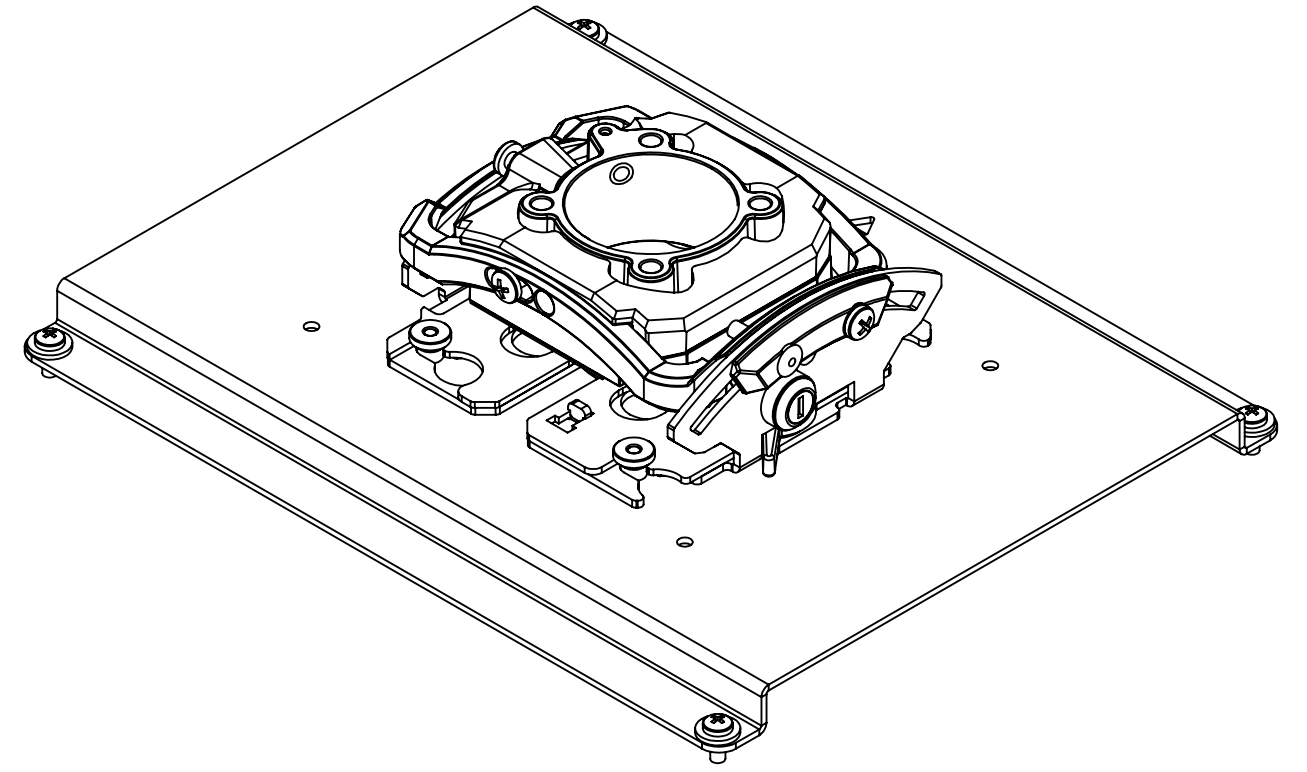
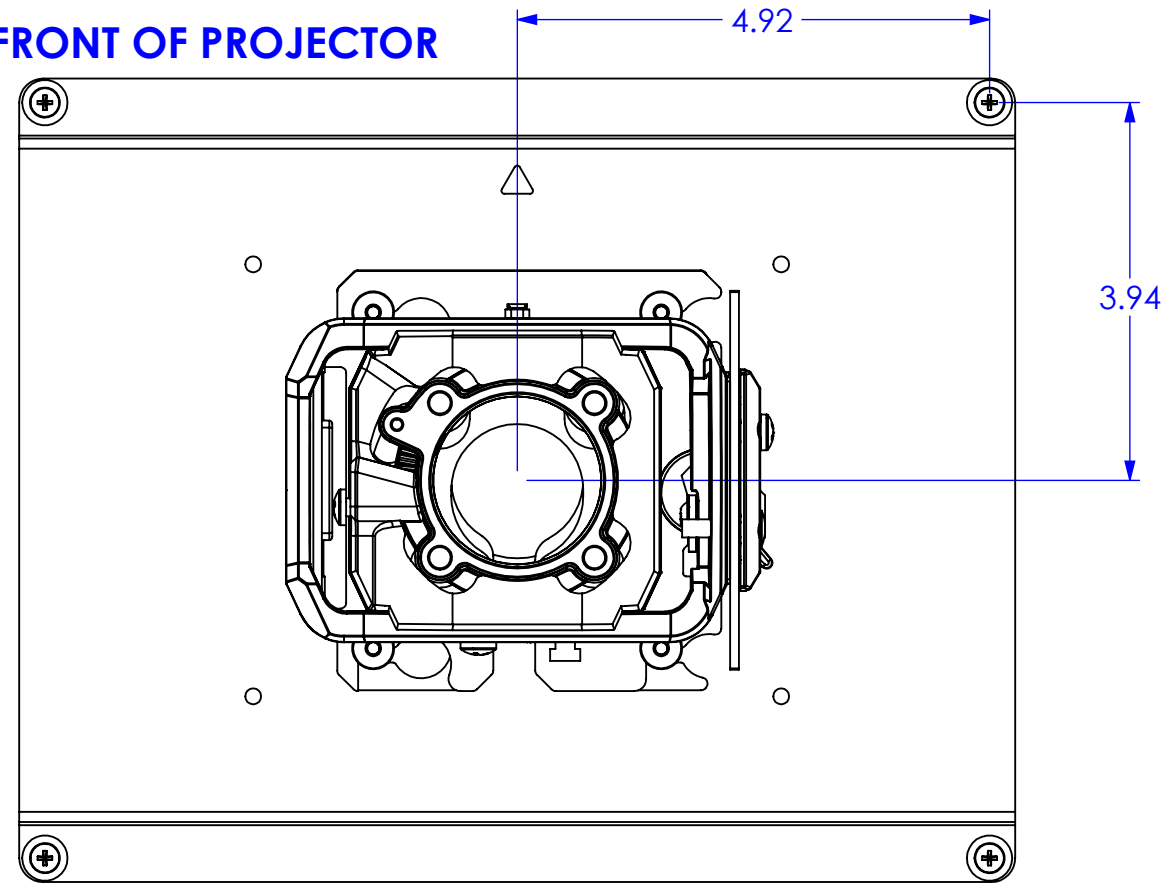


FRONT OF PROJECTOR



THE INFORMATION AND DESIGNS CONTAINED IN THIS DRAWING ARE CONFIDENTIAL AND THE PROPRIETARY PROPERTY OF MILESTONE AV TECHNOLOGIES NEITHER THIS DESIGN NOR ANY INFORMATION CONTAINED IN THIS DRAWING MAY BE REPRODUCED OR DISCLOSED TO OTHERS WITHOUT THE EXPRESS WRITTEN CONSENT OF MILESTONE AV TECHNOLOGIES.

CAD GENERATED DRAWING, DO NOT MANUALLY UPDATE.				6436 CITY WEST PKWY EDEN PRAIRIE MN, 55344 PHONE: 866-977-3901 FAX: 877-894-6918	
DRAWN BY	MW	12/20/2013		DESCRIPTION	
ENG APPROVAL			RSMA285		
MFG APPROVAL			MODEL NO.		
QA APPROVAL			REV.		
SHEET 1 OF 1		SCALE	SIZE	DWG. NO.	REV.
		1:2	B	TECH-000165	00