

MAX PROJECTOR/EQUIPMENT SIZE:  
 Height: 8.375"  
 Width: 18.25"  
 Length: 18.25"  
 Weight: 35#

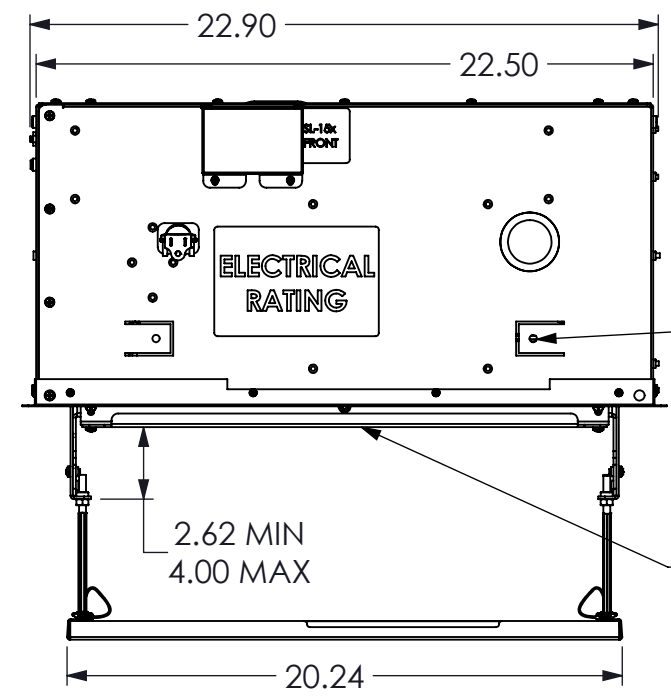
Total Forward/Aft adjustment of projector inside the lift:  
 2.00" [Incremental, 1.00" forward of center]  
 [Incremental, 1.00" rear of center]

Total Lateral adjustment of projector inside the lift:  
 7.50" [Incremental, 3.75" either side of center]

Total Vertical adjustment of projector inside the lift:  
 1.875" [Incremental]

SLOTS ACCOMODATE 3/8" THREADED ROD

TOP VIEW

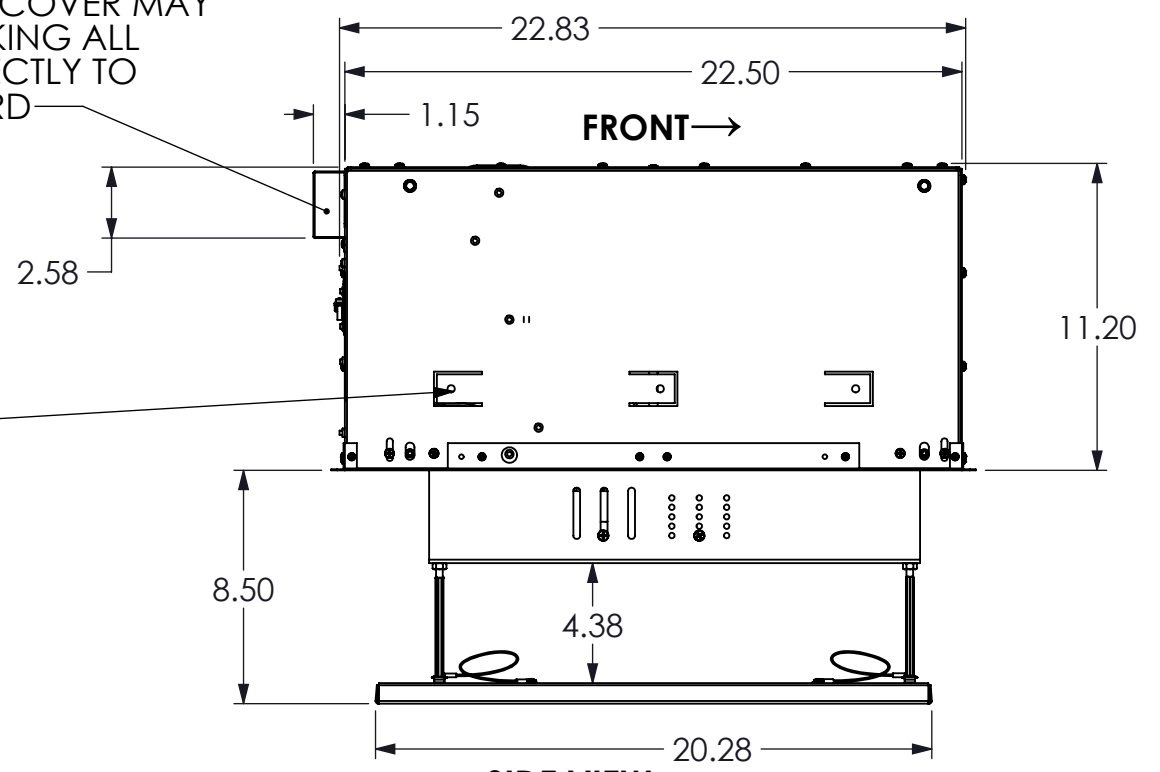


MOUNTING TABS ACCEPT 1/4" LAG BOLTS FOR JOIST MOUNTING

SLB MOUNTING SURFACE

REAR VIEW

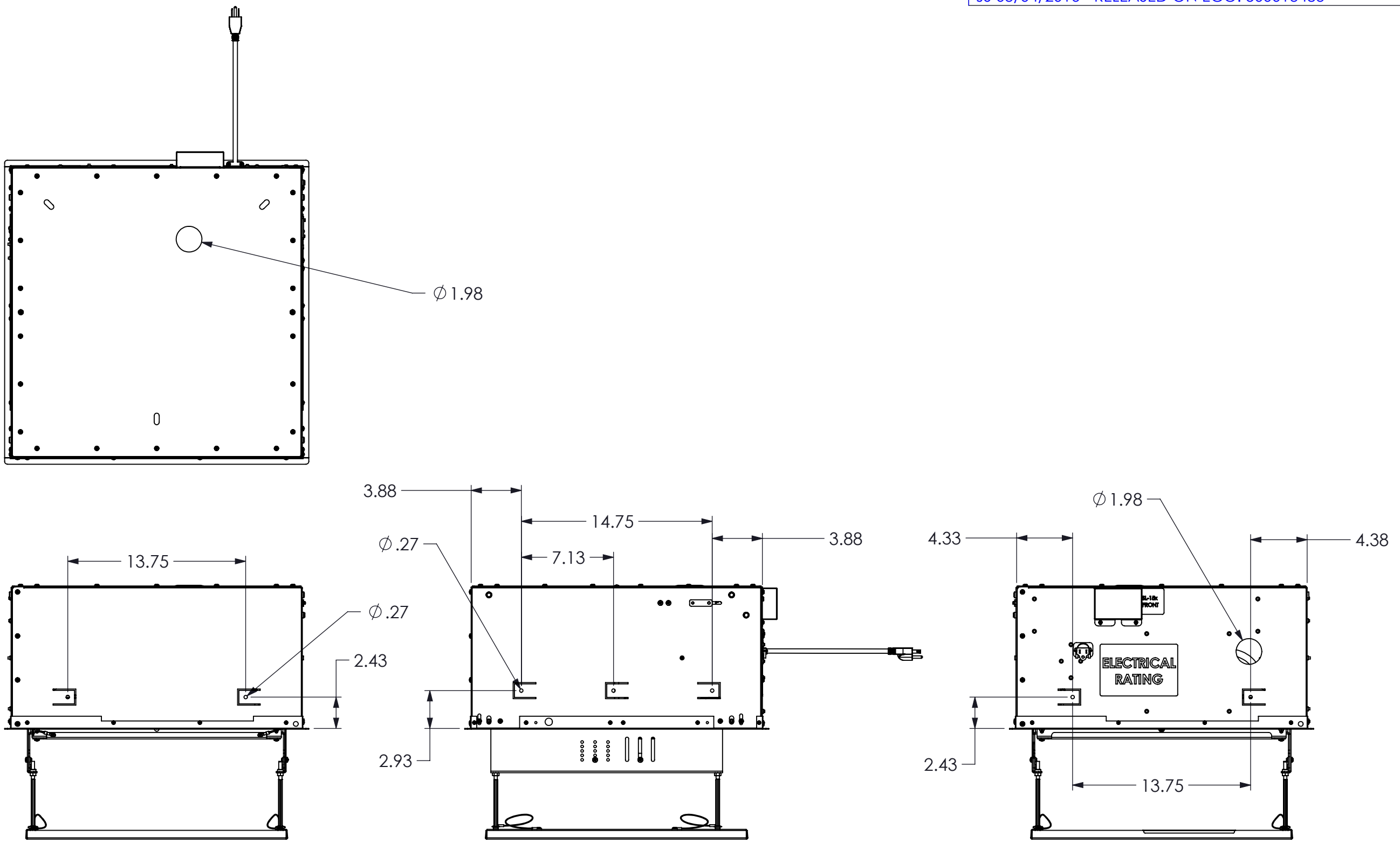
TERMINAL BLOCK & COVER MAY BE REMOVED IF MAKING ALL CONNECTIONS DIRECTLY TO THE CONTROL BOARD



SIDE VIEW

THE INFORMATION AND DESIGNS CONTAINED IN THIS DRAWING ARE CONFIDENTIAL AND THE PROPRIETARY PROPERTY OF MILESTONE AV TECHNOLOGIES NEITHER THIS DESIGN NOR ANY INFORMATION CONTAINED IN THIS DRAWING MAY BE REPRODUCED OR DISCLOSED TO OTHERS WITHOUT THE EXPRESS WRITTEN CONSENT OF MILESTONE AV TECHNOLOGIES.

CAD GENERATED DRAWING, DO NOT MANUALLY UPDATE.				6436 CITY WEST PKWY EDEN PRAIRIE MN, 55344 PHONE: 866-977-3901 FAX: 877-894-6918	
DRAWN BY	MW	2/27/2013		DESCRIPTION	
ENG APPROVAL			SL151		
MFG APPROVAL			MODEL NO.		
QA APPROVAL			SL151		
SHEET 1 OF 2		SCALE	SIZE	DWG. NO.	REV.
		1:7	B	TECH-000144	01



THE INFORMATION AND DESIGNS CONTAINED IN THIS DRAWING ARE CONFIDENTIAL AND THE PROPRIETARY PROPERTY OF MILESTONE AV TECHNOLOGIES NEITHER THIS DESIGN NOR ANY INFORMATION CONTAINED IN THIS DRAWING MAY BE REPRODUCED OR DISCLOSED TO OTHERS WITHOUT THE EXPRESS WRITTEN CONSENT OF MILESTONE AV TECHNOLOGIES.

CAD GENERATED DRAWING, DO NOT MANUALLY UPDATE.			6436 CITY WEST PKWY EDEN PRAIRIE MN, 55344 PHONE: 866-977-3901 FAX: 877-894-6918
DRAWN BY	MW	2/27/2013	
ENG APPROVAL			DESCRIPTION
MFG APPROVAL			SL151
QA APPROVAL			MODEL NO.
SHEET 2 OF 2			SL151
SCALE	1:8	SIZE	DWG. NO.
		B	TECH-000144
			REV.
			01