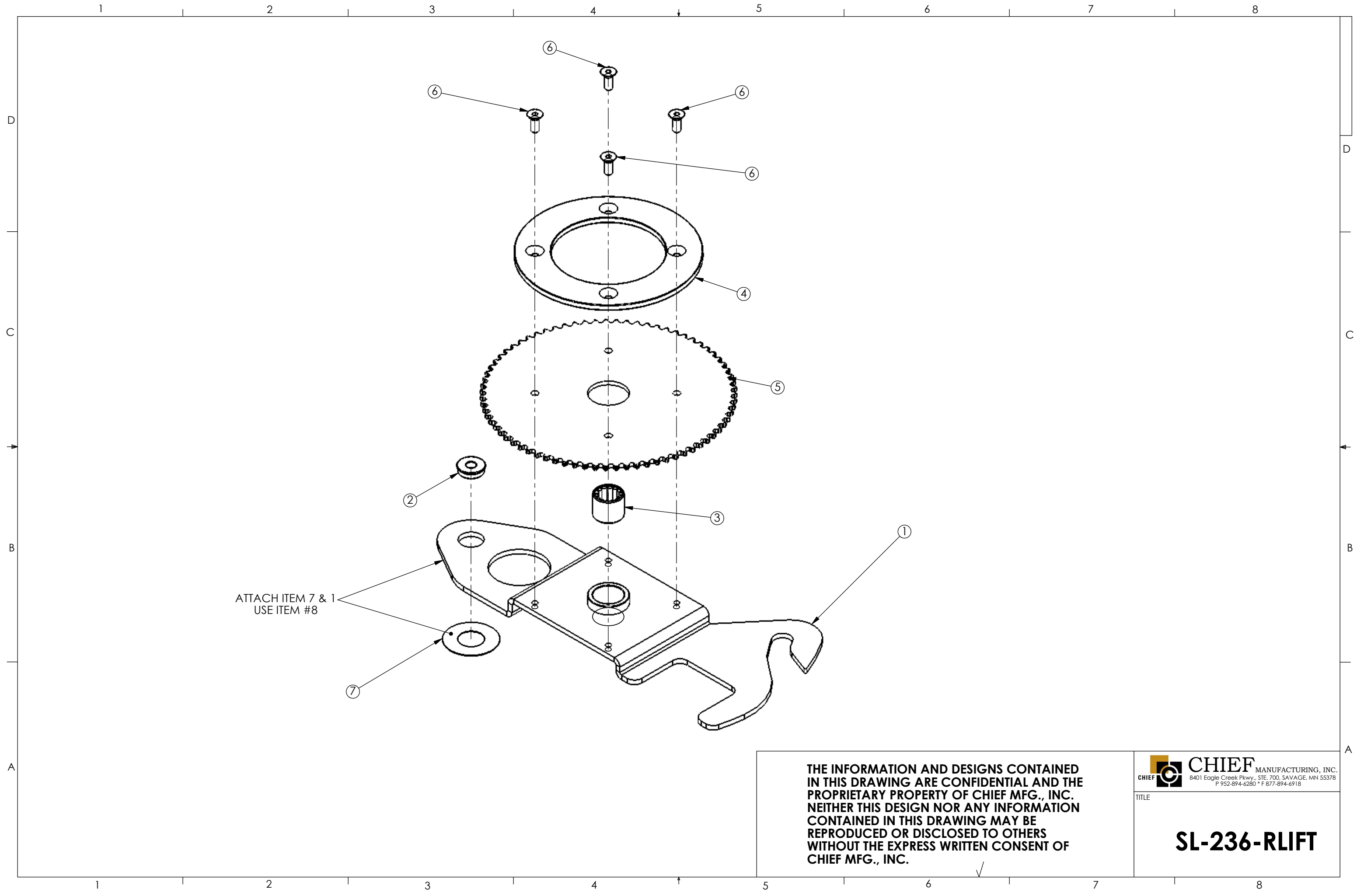


THE INFORMATION AND DESIGNS CONTAINED  
IN THIS DRAWING ARE CONFIDENTIAL AND THE  
PROPRIETARY PROPERTY OF CHIEF MFG., INC.  
NEITHER THIS DESIGN NOR ANY INFORMATION  
CONTAINED IN THIS DRAWING MAY BE  
REPRODUCED OR DISCLOSED TO OTHERS  
WITHOUT THE EXPRESS WRITTEN CONSENT OF  
CHIEF MFG., INC.

**CHIEF** MANUFACTURING, INC.  
8401 Eagle Creek Pkwy., STE. 700, SAVAGE, MN 55378  
P 952-894-6260 \* F 877-894-6918

TITLE

**SL-236-RLIFT**



THE INFORMATION AND DESIGNS CONTAINED IN THIS DRAWING ARE CONFIDENTIAL AND THE PROPRIETARY PROPERTY OF CHIEF MFG., INC. NEITHER THIS DESIGN NOR ANY INFORMATION CONTAINED IN THIS DRAWING MAY BE REPRODUCED OR DISCLOSED TO OTHERS WITHOUT THE EXPRESS WRITTEN CONSENT OF CHIEF MFG., INC.

**CHIEF** MANUFACTURING, INC.  
 8401 Eagle Creek Pkwy., STE. 700, SAVAGE, MN 55378  
 P 952-894-6260 \* F 877-894-6918

TITLE

**SL-236-RLIFT**