

BRACKET POSITIONS SHOWN ARE FOR TS325 ROTATE BRACKETS 180 DEGREES FOR TS525

GROUNDING SCREW

GROUNDING SCREW

KNOCK OUT FOR CABLE ACCESS (SEE NOTES) (2 PLACES)

KNOCK OUT FOR ELECTRICAL JUNCTION BOX (SEE NOTES) (2 PLACES)

DETAIL A SCALE 1:3

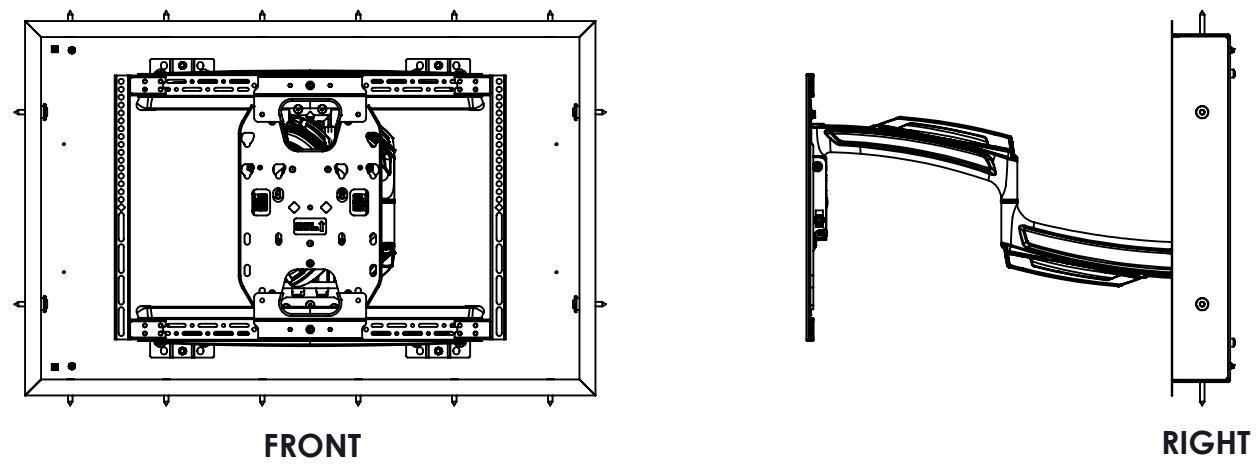
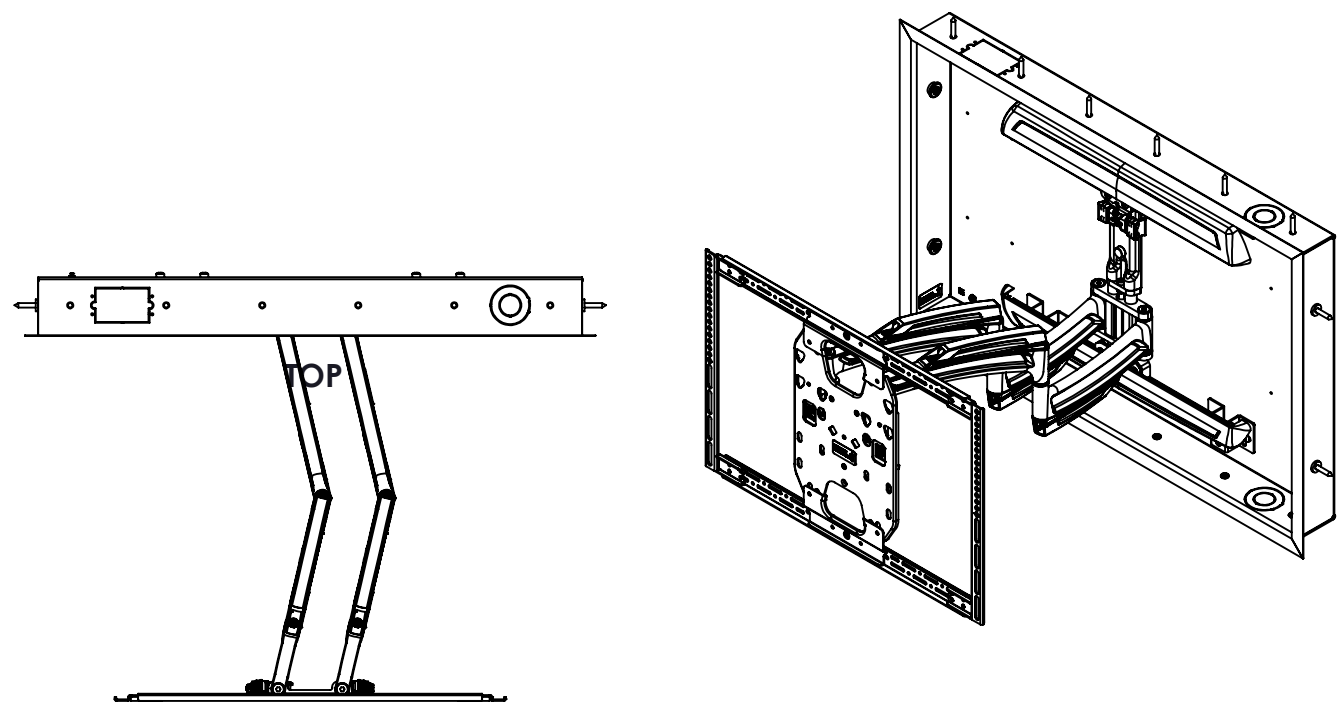
DETAIL B SCALE 1:3

TRIM NOT SHOWN (USE THESE DIMENSIONS FOR CUTOUT)

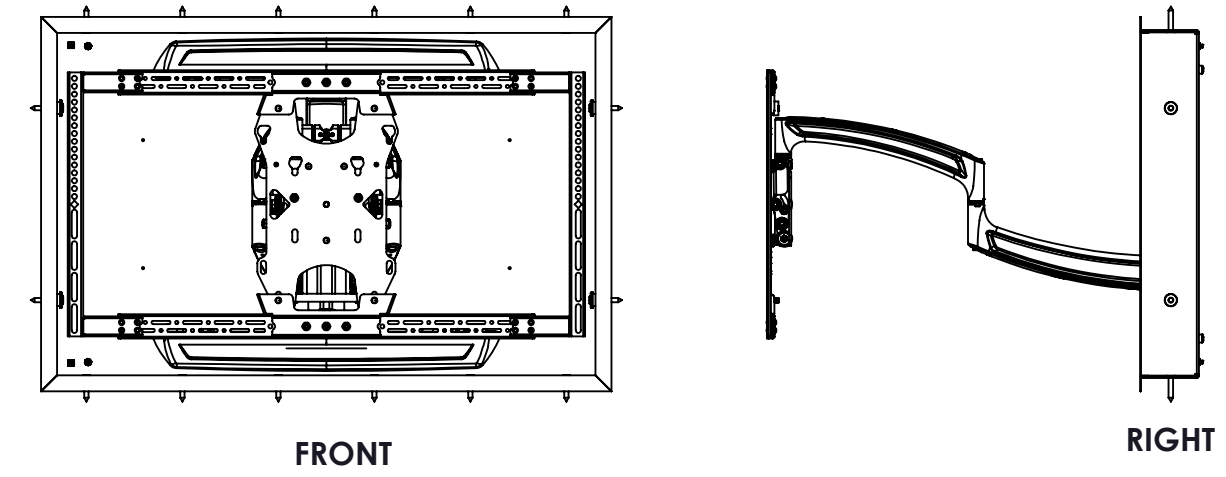
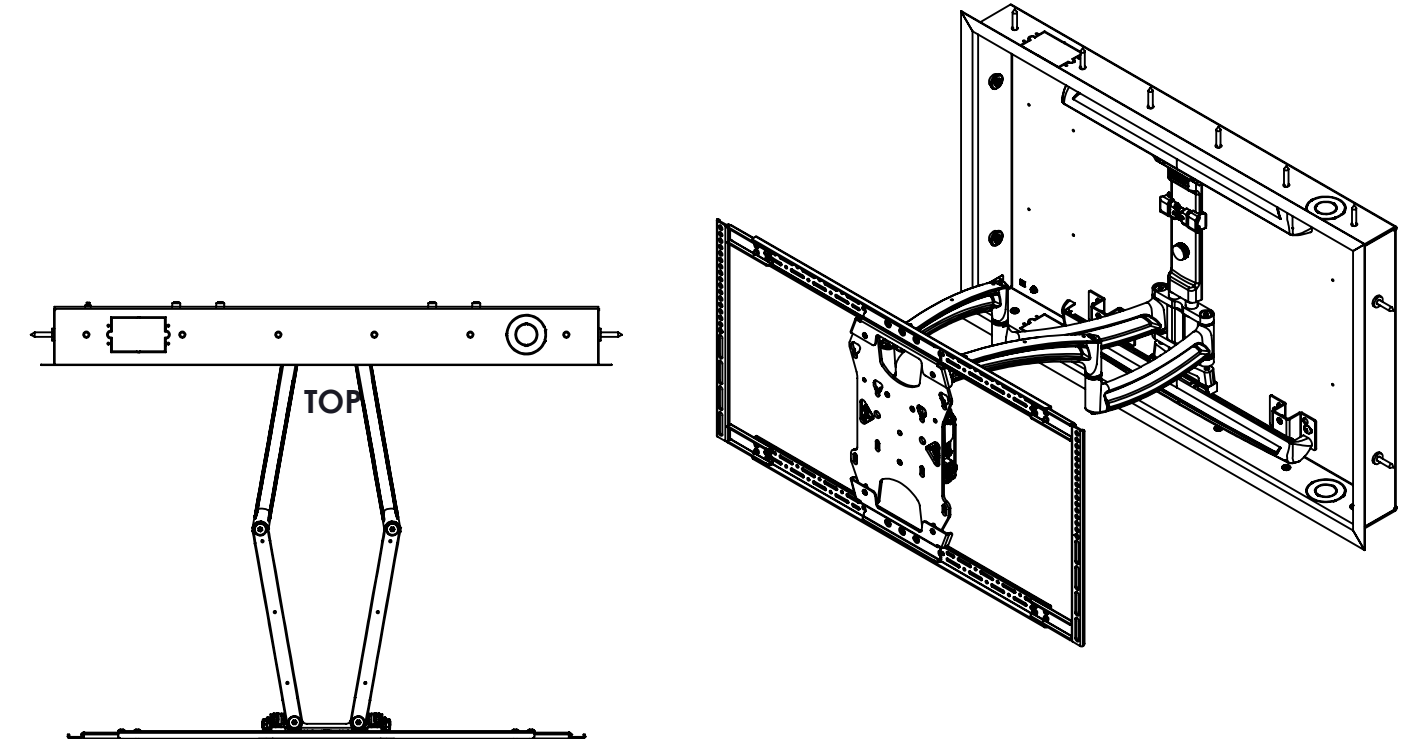
- NOTES:**
- ELECTRICAL KNOCK OUTS:
    - SINGLE GANG RACO 590. STEEL CITY CY 1/2, OR SIMILAR STYLE ELECTRICAL BOX.
    - 1" AND 2" TRADE PIPE CONDUIT.
  - PRODUCT WORKS WITH TS525 AND TS325.

THE INFORMATION AND DESIGNS CONTAINED IN THIS DRAWING ARE CONFIDENTIAL AND THE PROPRIETARY PROPERTY OF MILESTONE AV TECHNOLOGIES NEITHER THIS DESIGN NOR ANY INFORMATION CONTAINED IN THIS DRAWING MAY BE REPRODUCED OR DISCLOSED TO OTHERS WITHOUT THE EXPRESS WRITTEN CONSENT OF MILESTONE AV TECHNOLOGIES.

CAD GENERATED DRAWING, DO NOT MANUALLY UPDATE.			<b>CHIEF</b>		6436 CITY WEST PKWY EDEN PRAIRIE MN, 55344 PHONE: 866-977-3901 FAX: 877-894-6918
DRAWN BY	LRP	8/20/2012	DESCRIPTION <b>THINSTALL IN-WALL BOX - LARGE</b>		
ENG APPROVAL	LRP	8/20/2012	MODEL NO. <b>TA500</b>		
MFG APPROVAL			SIZE DWG. NO. <b>B TECH-000104</b>		
QA APPROVAL			REV. <b>03</b>		
SHEET 1 OF 2		SCALE <b>1:8</b>			



**SWING ARM LARGE BOX WITH TS325**  
 FULLY RETRACTED MONITOR WILL BE FLUSH WITH WALL  
 FULLY EXTENDED MONITOR WILL BE 22.67 FROM WALL  
 MAX TILT IS 15 DEGREES  
 TS325 WILL BE CENTERED BOTH HORIZONTALLY AND VERTICALLY



**SWING ARM LARGE BOX WITH TS525**  
 FULLY RETRACTED MONITOR WILL BE FLUSH WITH WALL  
 FULLY EXTENDED MONITOR WILL BE 23.34 FROM WALL  
 MAX TILT IS 15 DEGREES  
 TS525 WILL BE CENTERED BOTH HORIZONTALLY AND VERTICALLY

THE INFORMATION AND DESIGNS CONTAINED IN THIS DRAWING ARE CONFIDENTIAL AND THE PROPRIETARY PROPERTY OF MILESTONE AV TECHNOLOGIES NEITHER THIS DESIGN NOR ANY INFORMATION CONTAINED IN THIS DRAWING MAY BE REPRODUCED OR DISCLOSED TO OTHERS WITHOUT THE EXPRESS WRITTEN CONSENT OF MILESTONE AV TECHNOLOGIES.

CAD GENERATED DRAWING, DO NOT MANUALLY UPDATE.			6436 CITY WEST PKWY EDEN PRAIRIE MN, 55344 PHONE: 866-977-3901 FAX: 877-894-6918
DRAWN BY	LRP	8/20/2012	
ENG APPROVAL	LRP	8/20/2012	DESCRIPTION <b>THINSTALL IN-WALL BOX - LARGE</b>
MFG APPROVAL			MODEL NO. <b>TA500</b>
QA APPROVAL			SIZE DWG. NO. <b>B TECH-000104</b>
SHEET 2 OF 2		SCALE <b>1:12</b>	REV. <b>03</b>