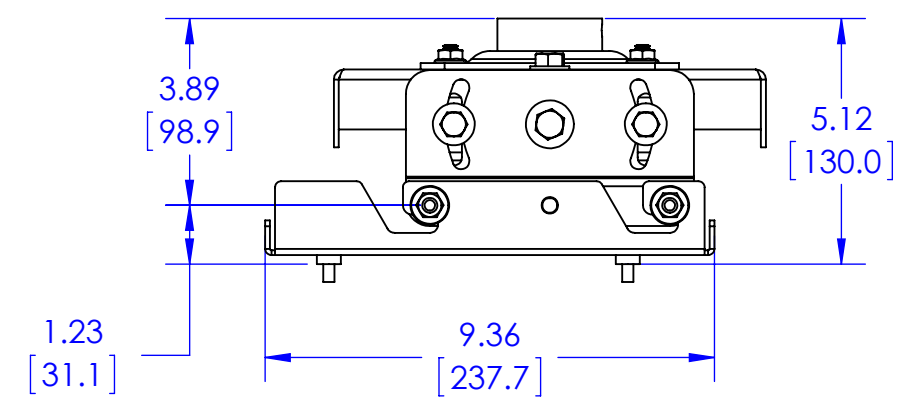
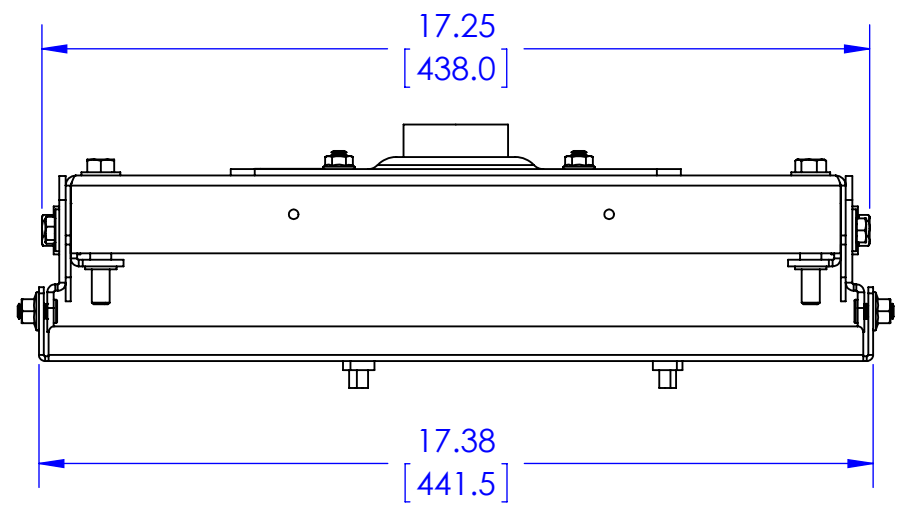


ACCEPTS 1 1/2" NPT THREADS



THE INFORMATION AND DESIGNS CONTAINED IN THIS DRAWING ARE CONFIDENTIAL AND THE PROPRIETARY PROPERTY OF MILESTONE AV TECHNOLOGIES NEITHER THIS DESIGN NOR ANY INFORMATION CONTAINED IN THIS DRAWING MAY BE REPRODUCED OR DISCLOSED TO OTHERS WITHOUT THE EXPRESS WRITTEN CONSENT OF MILESTONE AV TECHNOLOGIES.

CAD GENERATED DRAWING, DO NOT MANUALLY UPDATE.				6436 CITY WEST PKWY EDEN PRAIRIE MN, 55344 PHONE: 866-977-3901 FAX: 877-894-6918	
DRAWN BY	SEF	10/17/2013		DESCRIPTION <b>VCM74P/HB74P TECH DRAWING</b>	
ENG APPROVAL		09/19/2013	MODEL NO. <b>VCM74P/HB74P</b>		
MFG APPROVAL			SIZE	DWG. NO.	REV.
QA APPROVAL			<b>B</b>	<b>TECH-000445</b>	<b>00</b>
SHEET 1 OF 1			SCALE		
			<b>1:4</b>		