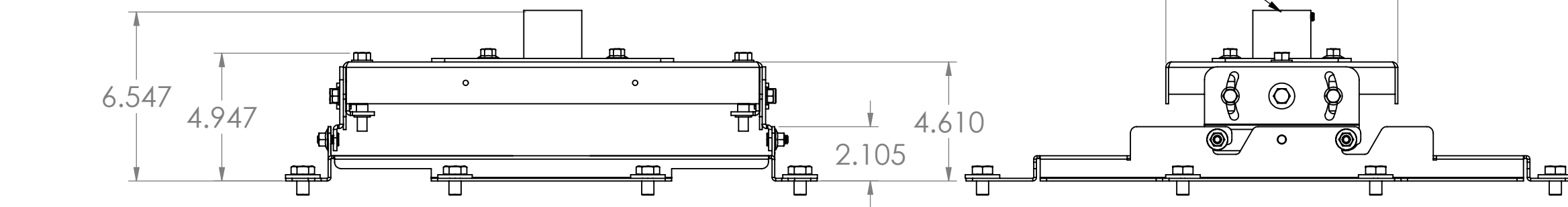
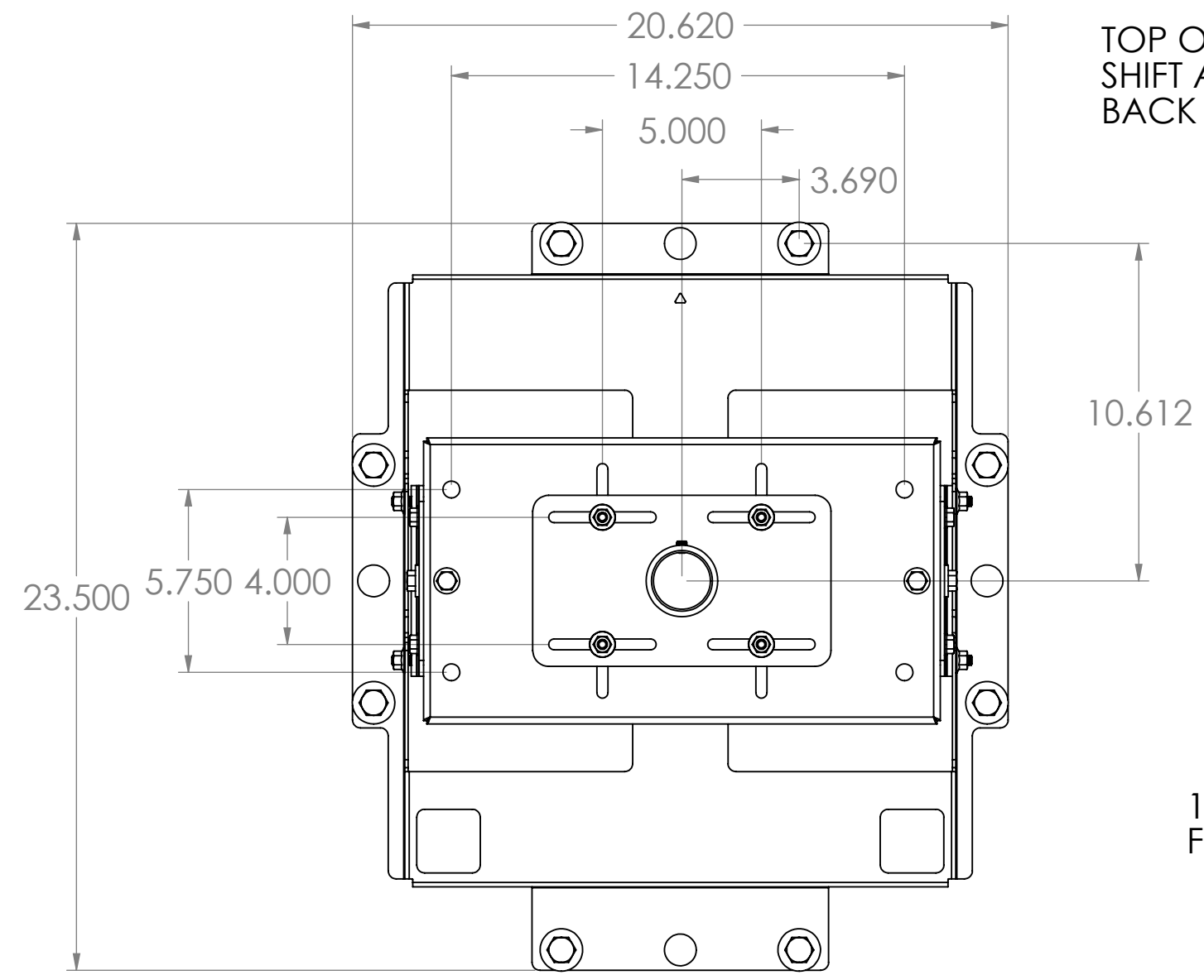
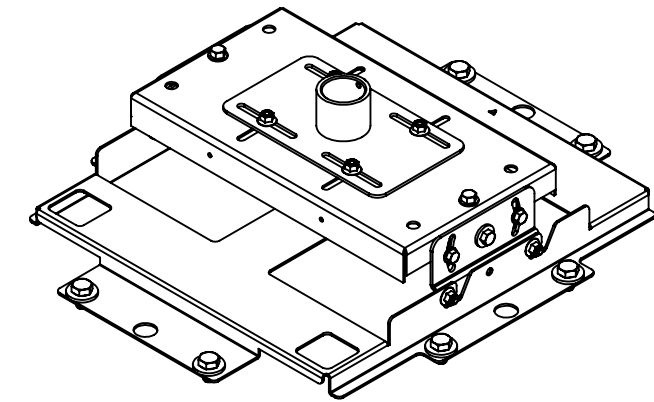


MANUFACTURER	MODEL	X	Y	Z
CHRISTIE DIGITAL	Mirage S+14K	0.00"	0.00"	0.00"
CHRISTIE DIGITAL	Roadster HD12K	0.00"	0.00"	0.00"
CHRISTIE DIGITAL	Roadster HD18K	0.00"	0.00"	0.00"
CHRISTIE DIGITAL	Roadster S+12K	0.00"	0.00"	0.00"
CHRISTIE DIGITAL	Roadster S+16K	0.00"	0.00"	0.00"
CHRISTIE DIGITAL	Roadster S+20K	0.00"	0.00"	0.00"

TOP OF MOUNT HAS 3" OF LATERAL SHIFT AND 3" OF FORWARD AND BACK MOVMENT BUILT IN.



1.5" NPT PIPE FITTING

X = TOP OF 1.5" NPT FITTING DOWN TO CENTER OF LENS.
 Y = LENS OFF SET TO LEFT OF CENTER OF MOUNT WHEN INVERTED, WHEN LOOKING AT PROJECTOR FROM FRONT OF MOUNT..
 Z = FRONT OF PROJECTORS LENS TO CENTER OF PIPE.



CHIEF MANUFACTURING INC.
MOUNT ORDER NUMBER IS VCM-92C
PHONE: 1-800-582-6480

THE INFORMATION AND DESIGNS CONTAINED IN THIS DRAWING ARE CONFIDENTIAL AND THE PROPRIETARY PROPERTY OF CHIEF MFG., INC. NEITHER THIS DESIGN NOR ANY INFORMATION CONTAINED IN THIS DRAWING MAY BE REPRODUCED OR DISCLOSED TO OTHERS WITHOUT THE EXPRESS WRITTEN CONSENT OF CHIEF MFG., INC.

CHIEF MANUFACTURING, INC.
 12800 HWY 13 SOUTH STE. 500 * SAVAGE, MN 55378
 1.800.582.6480 * fax 1.877.894.6918

TITLE
CUSTOMER PRINT, SEE LISTING IN UPPER RIGHT CORNER FOR MODELS THIS BRACKET FITS

SIZE | DWG. NO.
B | VCM-92C