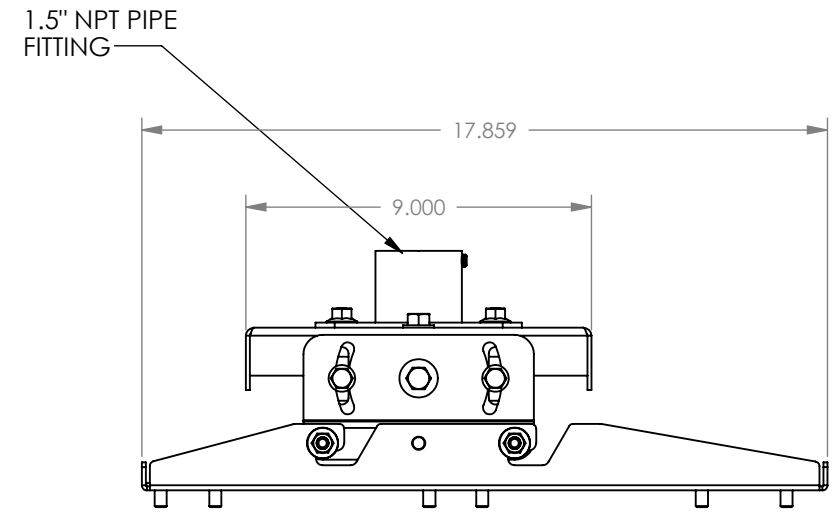
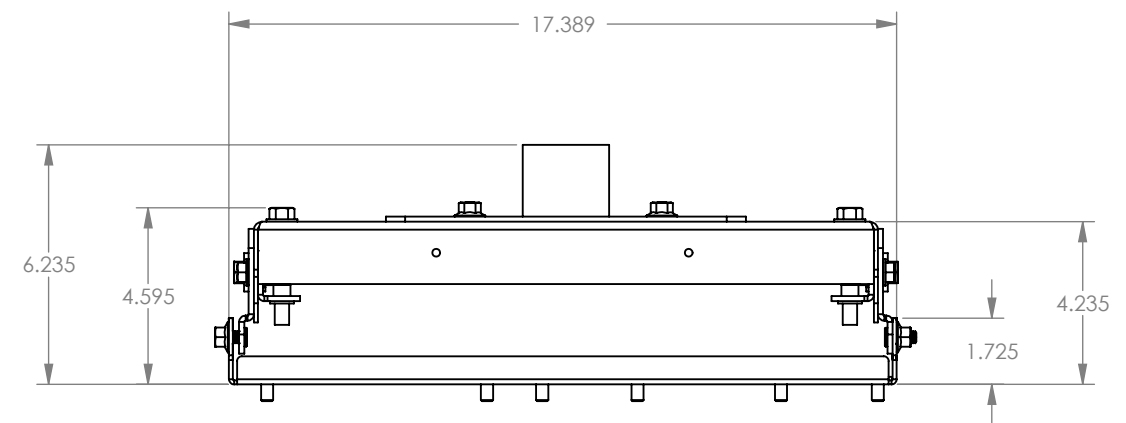
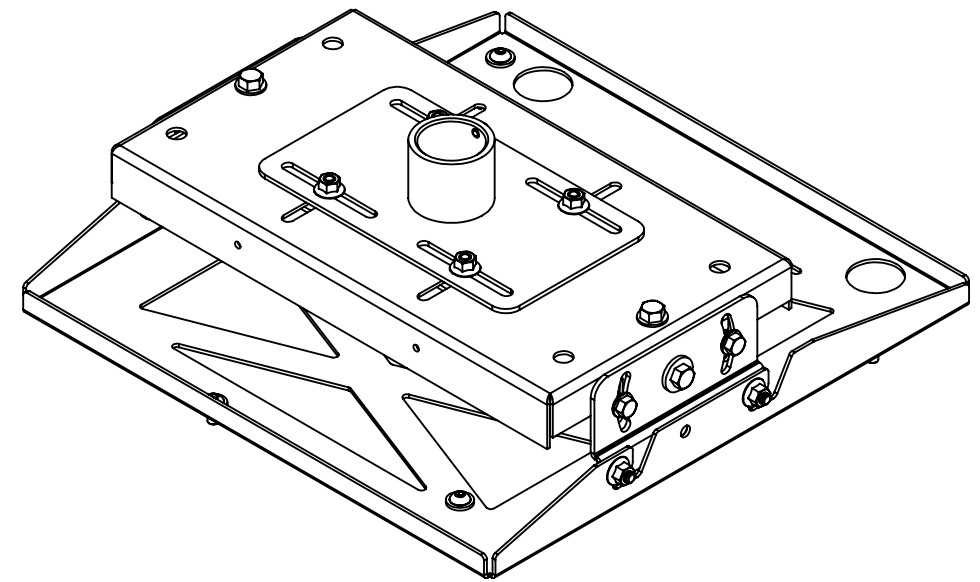
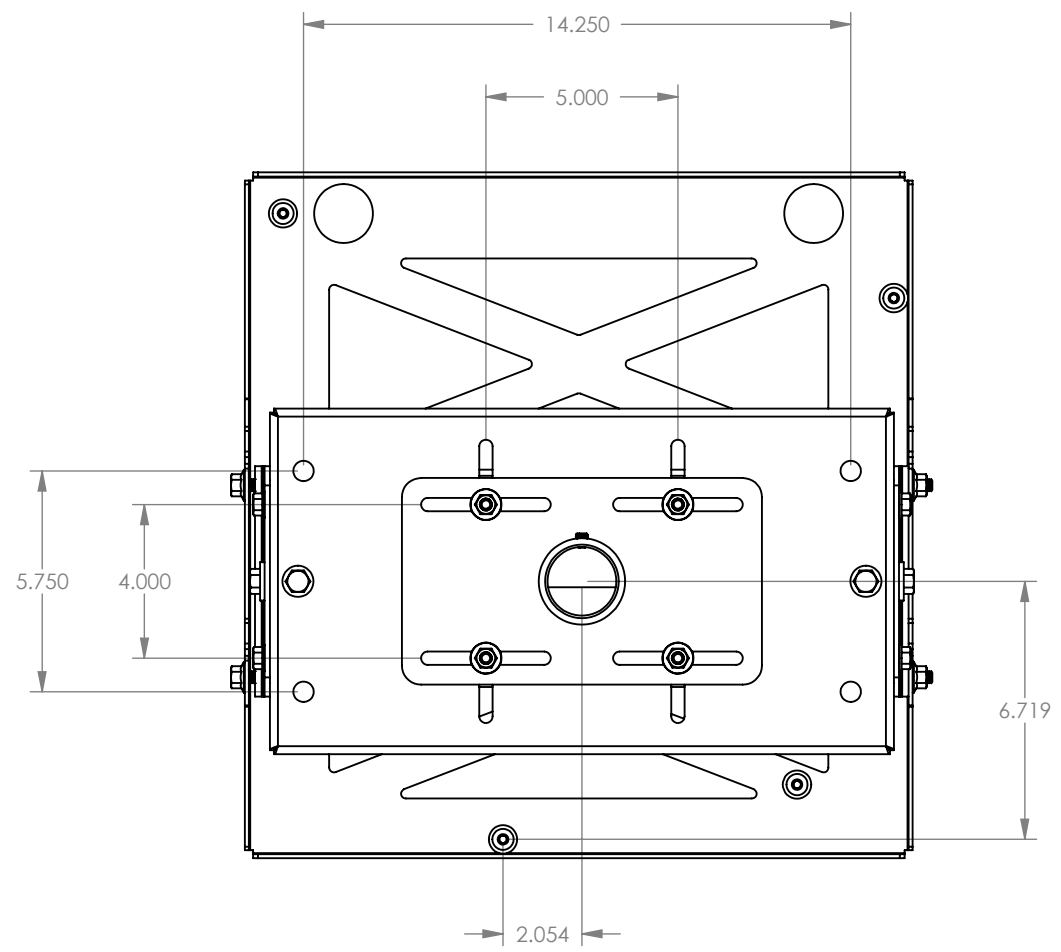


| MANUFACTURER | MODEL | X | Y | Z |
|------------------|-----------------|-------|-------|-------|
| CHRISTIE DIGITAL | TITAN 1080P-600 | 0.00" | 0.00" | 0.00" |
| CHRISTIE DIGITAL | TITAN 1080P-700 | 0.00" | 0.00" | 0.00" |
| CHRISTIE DIGITAL | TITAN HD-600 | 0.00" | 0.00" | 0.00" |
| CHRISTIE DIGITAL | TITAN SX+600 | 0.00" | 0.00" | 0.00" |
| | | | | |

TOP OF MOUNT HAS 3" OF LATERAL SHIFT AND 3" OF FORWARD AND BACK MOVMENT BUILT IN.



X = TOP OF 1.5" NPT FITTING DOWN TO CENTER OF LENS.

Y = LENS OFF SET TO LEFT OF CENTER OF MOUNT WHEN INVERTED, WHEN LOOKING AT PROJECTOR FROM FRONT OF MOUNT..

Z = FRONT OF PROJECTORS LENS TO CENTER OF PIPE.



CHIEF MANUFACTURING INC.
MOUNT ORDER NUMBER IS VCM-93C
PHONE: 1-800-582-6480

THE INFORMATION AND DESIGNS CONTAINED IN THIS DRAWING ARE CONFIDENTIAL AND THE PROPRIETARY PROPERTY OF CHIEF MFG., INC. NEITHER THIS DESIGN NOR ANY INFORMATION CONTAINED IN THIS DRAWING MAY BE REPRODUCED OR DISCLOSED TO OTHERS WITHOUT THE EXPRESS WRITTEN CONSENT OF CHIEF MFG., INC.

CHIEF MANUFACTURING, INC.
 12800 HWY 13 SOUTH STE. 500 * SAVAGE, MN 55378

TITLE
CUSTOMER PRINT, SEE LISTING IN UPPER RIGHT CORNER FOR MODELS THIS BRACKET FITS

SIZE | DWG. NO.
B | VCM-93C