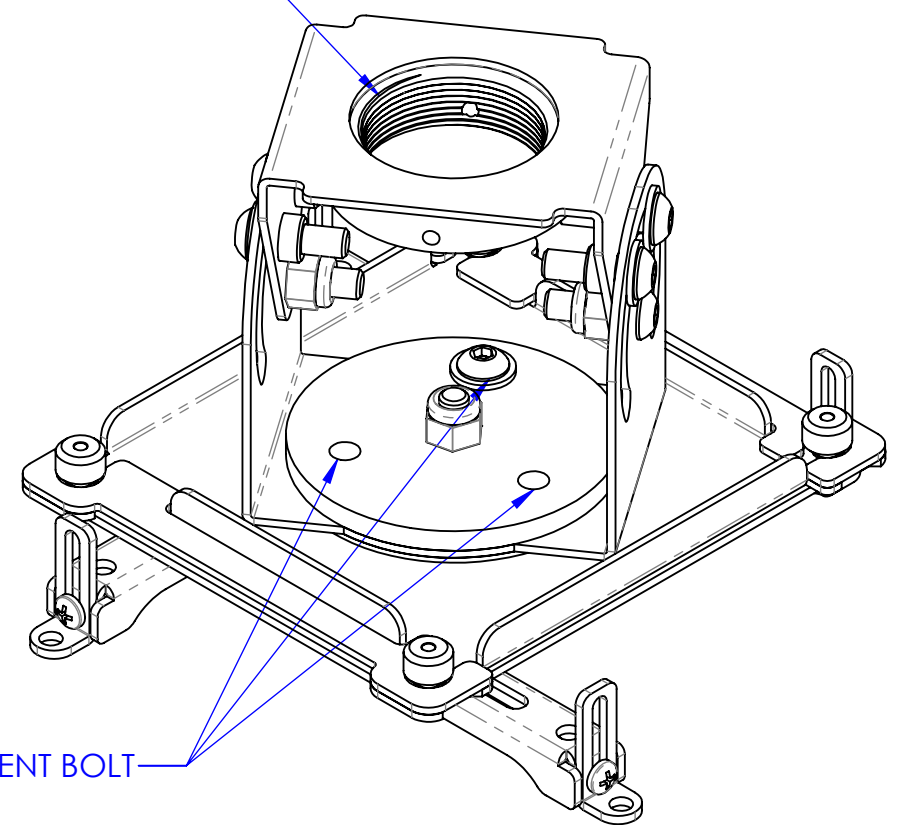
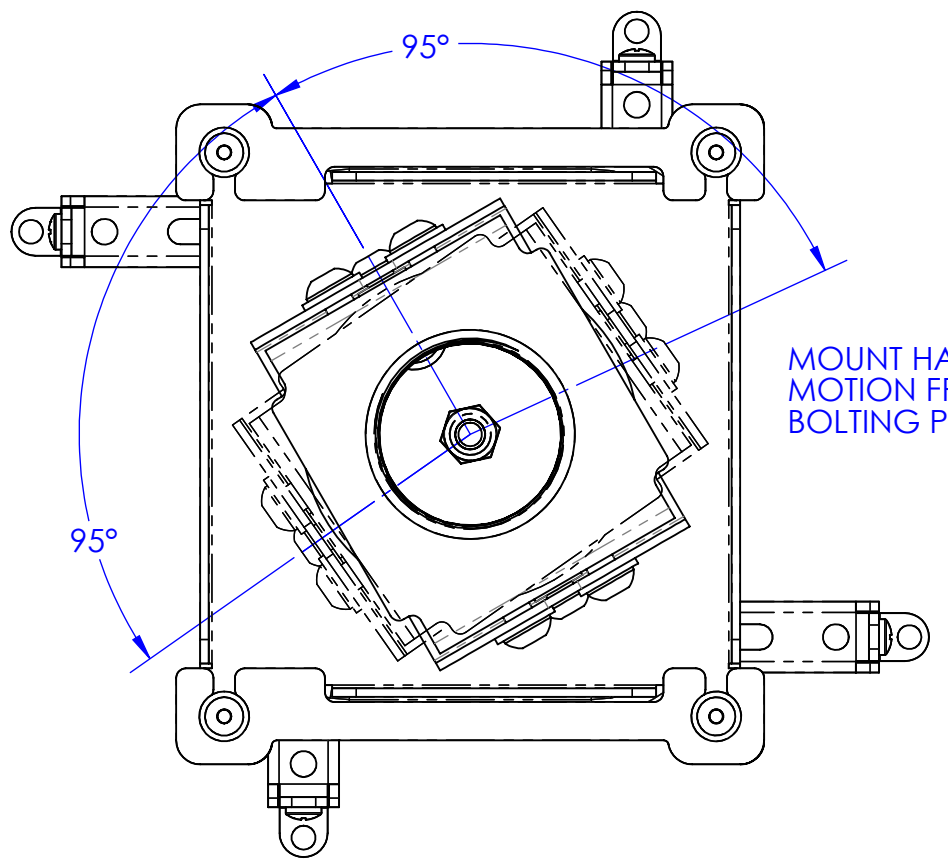


1 1/2" NPT THREAD

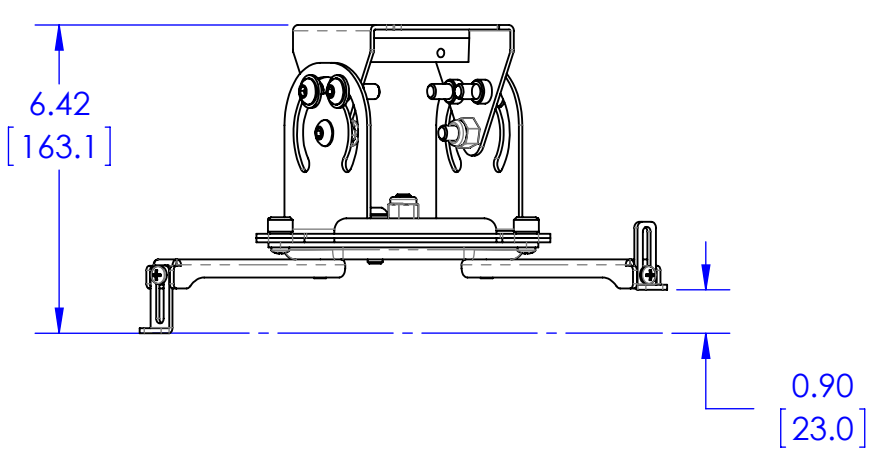
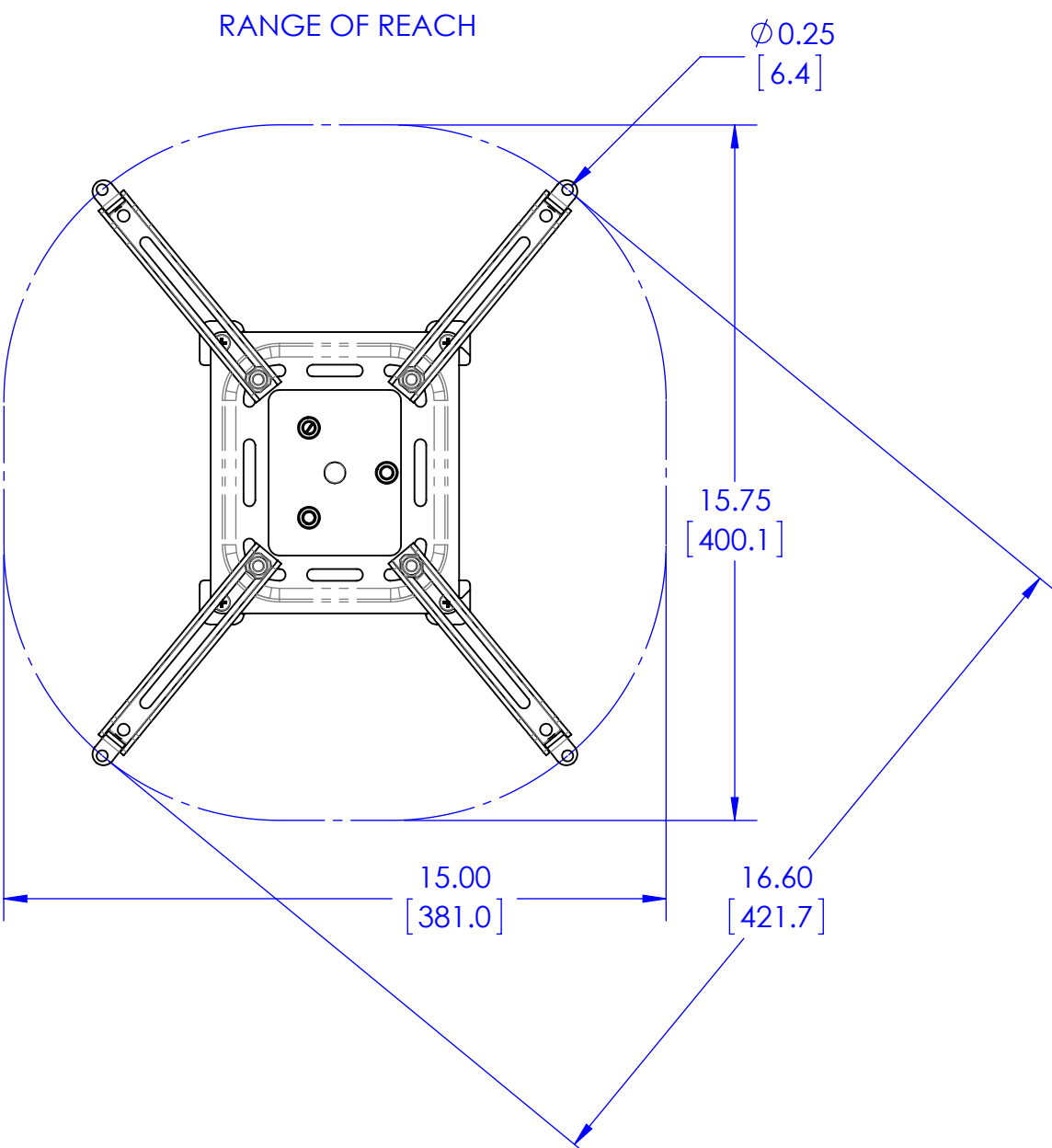


LARGER RANGE OF ROTATION CAN BE ACHIEVED BY ADDING ADDITIONAL BOLT IN SEPARATE HOLE THEN REMOVING CURRENT BOLT



THE INFORMATION AND DESIGNS CONTAINED IN THIS DRAWING ARE CONFIDENTIAL AND THE PROPRIETARY PROPERTY OF MILESTONE AV TECHNOLOGIES NEITHER THIS DESIGN NOR ANY INFORMATION CONTAINED IN THIS DRAWING MAY BE REPRODUCED OR DISCLOSED TO OTHERS WITHOUT THE EXPRESS WRITTEN CONSENT OF MILESTONE AV TECHNOLOGIES.

CAD GENERATED DRAWING, DO NOT MANUALLY UPDATE.				6436 CITY WEST PKWY EDEN PRAIRIE MN, 55344 PHONE: 866-977-3901 FAX: 877-894-6918	
DRAWN BY	JS	4/12/2016	DESCRIPTION		
ENG APPROVAL			VPAU TECH DRAWING		
MFG APPROVAL			MODEL NO.		
QA APPROVAL			REV.		
SHEET 1 OF 2		SCALE 1:2	SIZE B	DWG. NO. TECH-000775	00



**THE INFORMATION AND DESIGNS CONTAINED IN THIS DRAWING ARE CONFIDENTIAL AND THE PROPRIETARY PROPERTY OF MILESTONE AV TECHNOLOGIES NEITHER THIS DESIGN NOR ANY INFORMATION CONTAINED IN THIS DRAWING MAY BE REPRODUCED OR DISCLOSED TO OTHERS WITHOUT THE EXPRESS WRITTEN CONSENT OF MILESTONE AV TECHNOLOGIES.**

CAD GENERATED DRAWING, DO NOT MANUALLY UPDATE.			6436 CITY WEST PKWY EDEN PRAIRIE MN, 55344 PHONE: 866-977-3901 FAX: 877-894-6918		
DRAWN BY	JS	4/12/2016			
ENG APPROVAL			DESCRIPTION		
MFG APPROVAL			VPAU TECH DRAWING		
QA APPROVAL			MODEL NO.		
SHEET 2 OF 2		SCALE	SIZE	DWG. NO.	REV.
		1:4	B	TECH-000775	00