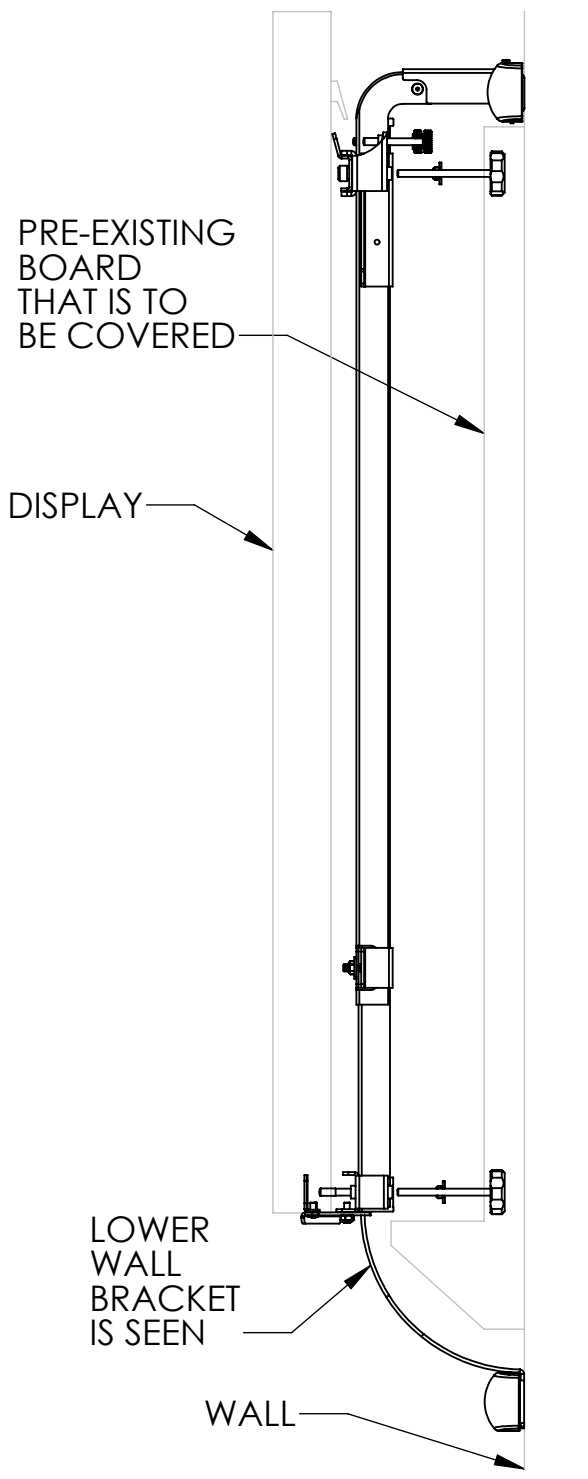
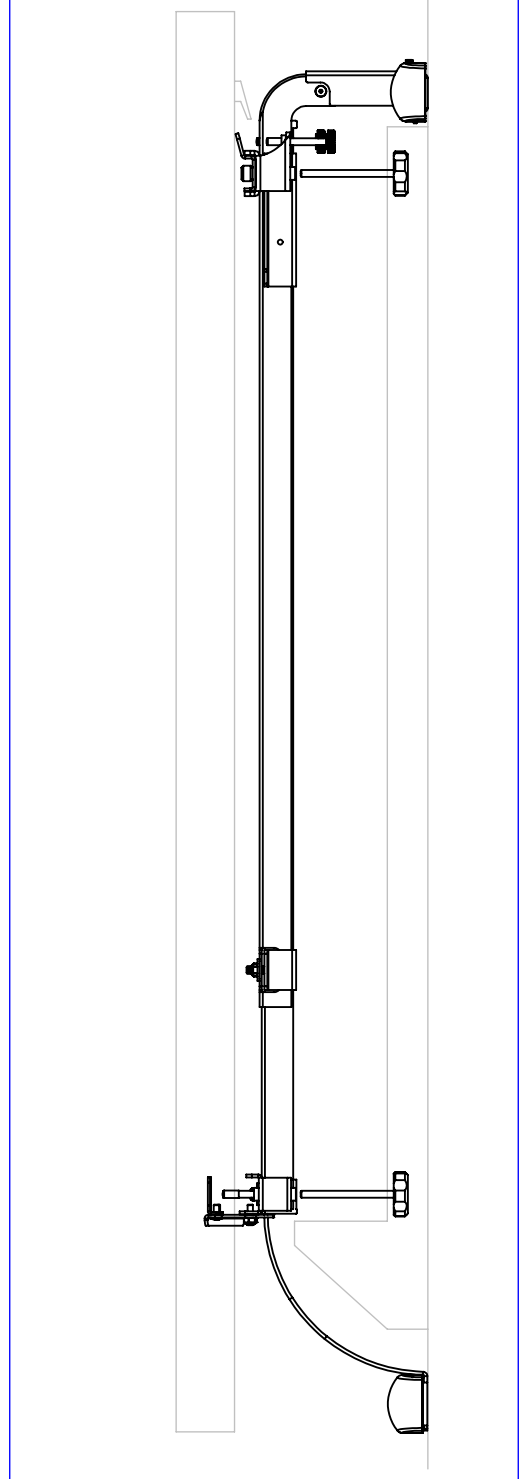


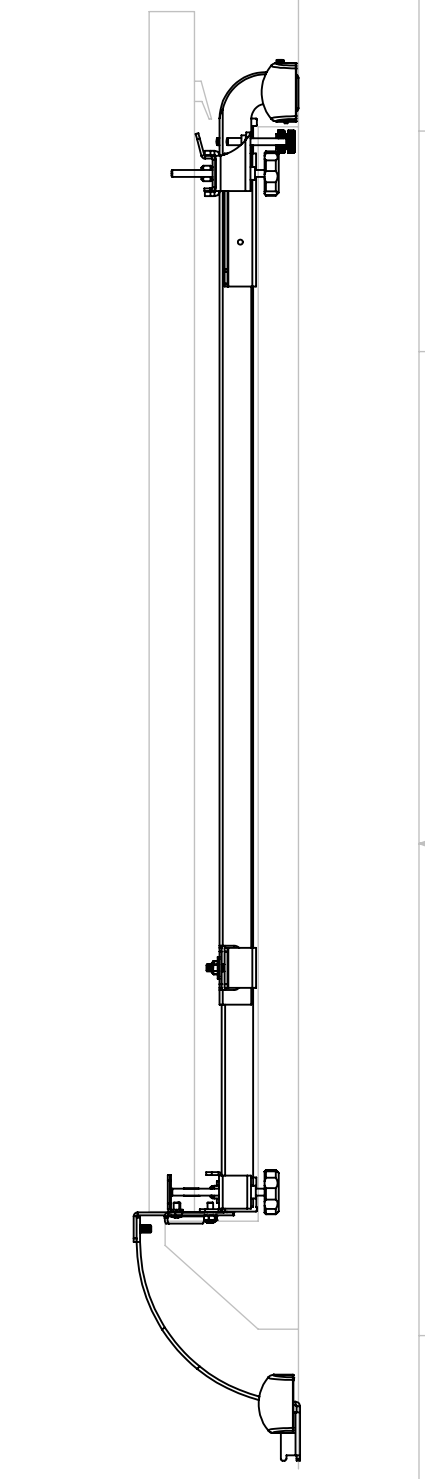
DEFAULT CONFIGURATION



OPTIONAL CONFIGURATION HIDES LOWER WALL BRACKET



OPTIONAL CONFIGURATION FOR A LOWER PROFILE



CHIEF MANUFACTURING INC.
MOUNT ORDER NUMBER IS WBMUS
PHONE: 1-800-582-6480

THE INFORMATION AND DESIGNS CONTAINED IN THIS DRAWING ARE CONFIDENTIAL AND THE PROPRIETARY PROPERTY OF MILESTONE AV TECHNOLOGIES NEITHER THIS DESIGN NOR ANY INFORMATION CONTAINED IN THIS DRAWING MAY BE REPRODUCED OR DISCLOSED TO OTHERS WITHOUT THE EXPRESS WRITTEN CONSENT OF MILESTONE AV TECHNOLOGIES.

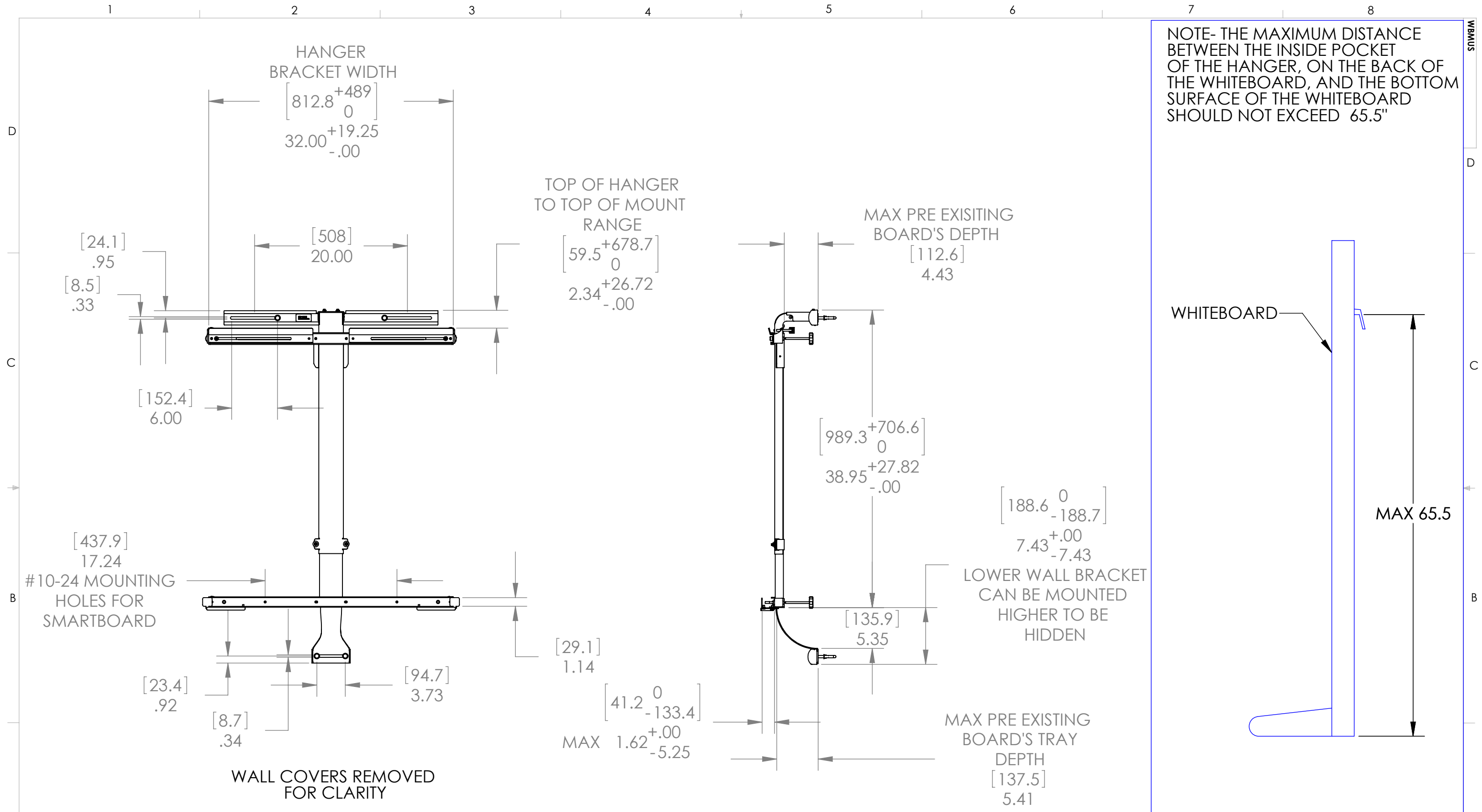


TITLE
CUSTOMER PRINT
WBMUS

SIZE DWG. NO.
B WBMUS

8401 EAGLE CREEK PKY
 SUITE #700
 SAVAGE, MN 55378
 PHONE: 952-894-6280
 FAX: 877-894-6918

SHEET SCALE = 1:8



CHIEF MANUFACTURING INC.
MOUNT ORDER NUMBER IS WBMUS
PHONE: 1-800-582-6480

SHEET SCALE = 1:12

THE INFORMATION AND DESIGNS CONTAINED IN THIS DRAWING ARE CONFIDENTIAL AND THE PROPRIETARY PROPERTY OF MILESTONE AV TECHNOLOGIES NEITHER THIS DESIGN NOR ANY INFORMATION CONTAINED IN THIS DRAWING MAY BE REPRODUCED OR DISCLOSED TO OTHERS WITHOUT THE EXPRESS WRITTEN CONSENT OF MILESTONE AV TECHNOLOGIES.



TITLE
CUSTOMER PRINT
WBMUS

SIZE DWG. NO.
B WBMUS

8401 EAGLE CREEK PKY
 SUITE #700
 SAVAGE, MN 55378
 PHONE: 952-894-6280
 FAX: 877-894-6918

A