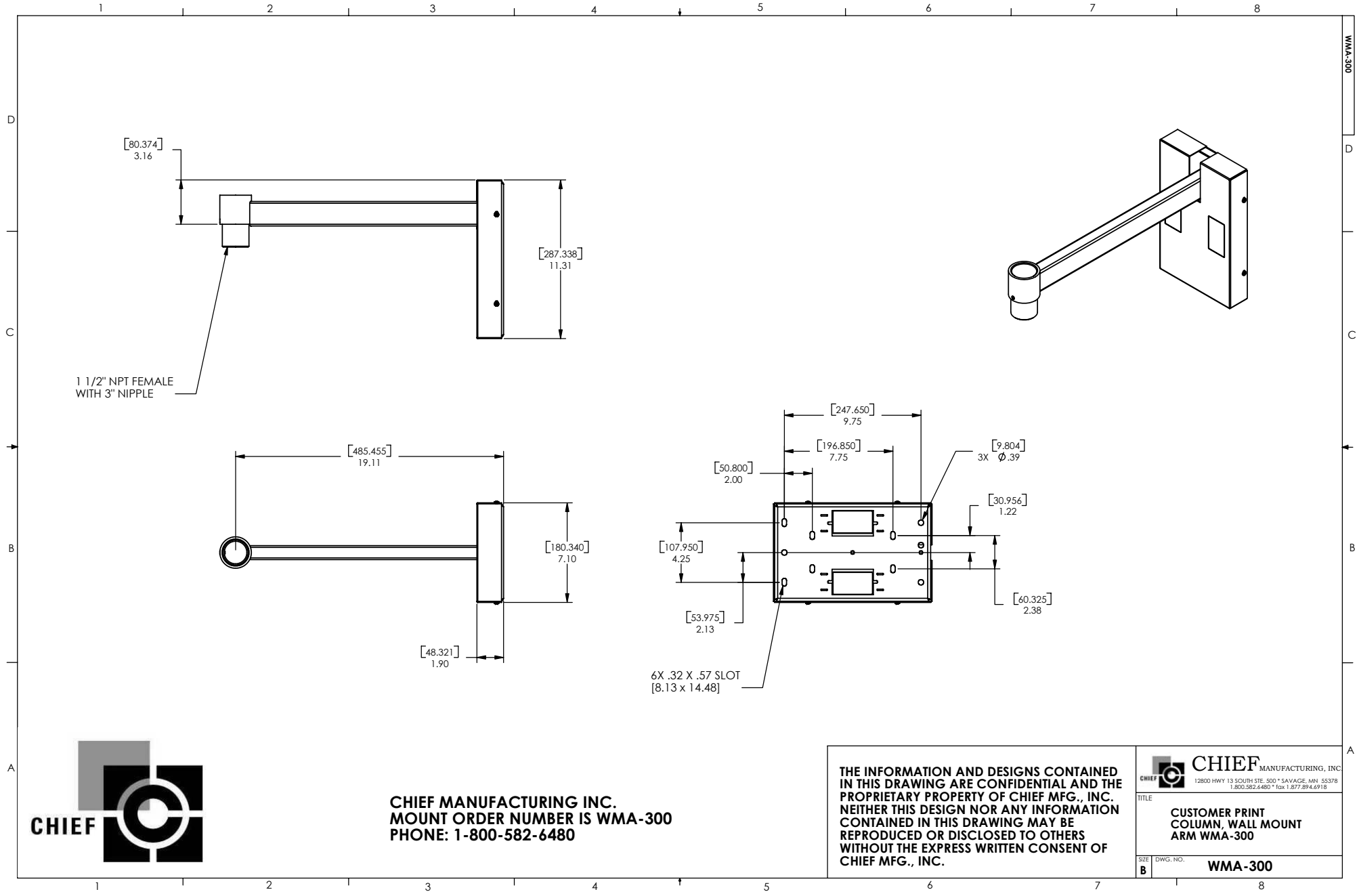


WMA-300



**CHIEF MANUFACTURING INC.**  
**MOUNT ORDER NUMBER IS WMA-300**  
**PHONE: 1-800-582-6480**

THE INFORMATION AND DESIGNS CONTAINED IN THIS DRAWING ARE CONFIDENTIAL AND THE PROPRIETARY PROPERTY OF CHIEF MFG., INC. NEITHER THIS DESIGN NOR ANY INFORMATION CONTAINED IN THIS DRAWING MAY BE REPRODUCED OR DISCLOSED TO OTHERS WITHOUT THE EXPRESS WRITTEN CONSENT OF CHIEF MFG., INC.

**CHIEF** MANUFACTURING, INC.  
 12800 HWY 13 SOUTH STE. 500 • SAVAGE, MN 55378  
 1.800.582.6480 • Fax 1.877.894.6918

TITLE  
**CUSTOMER PRINT  
 COLUMN, WALL MOUNT  
 ARM WMA-300**

SIZE DWG. NO.  
**B WMA-300**