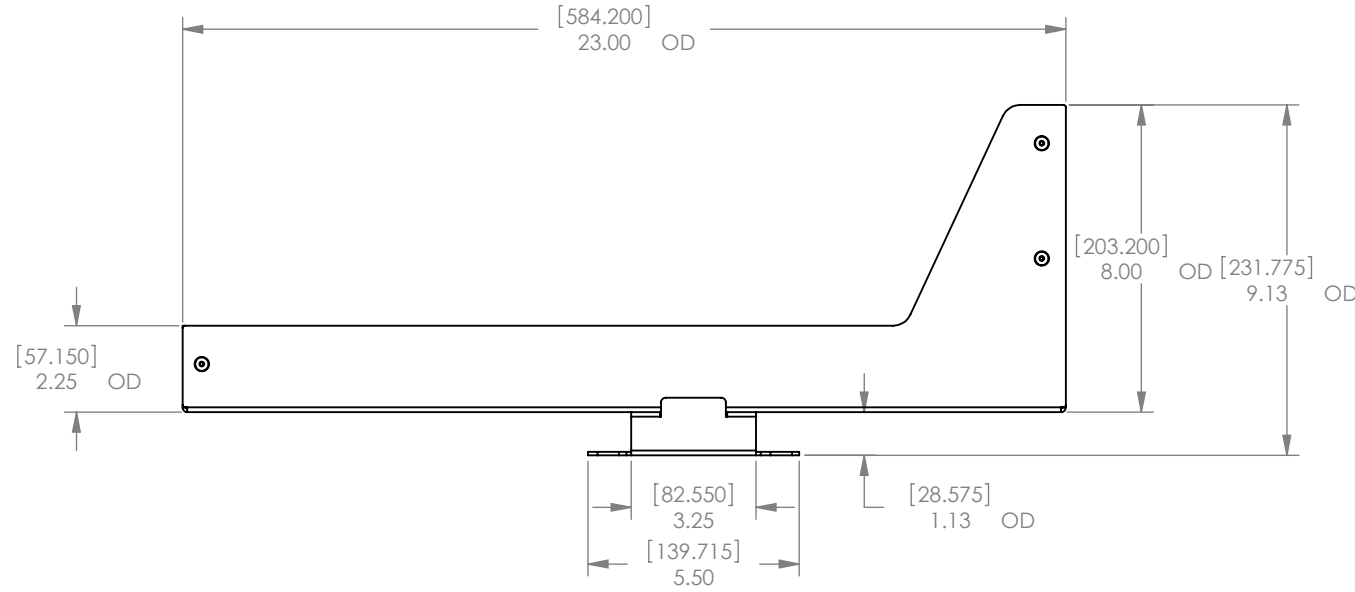
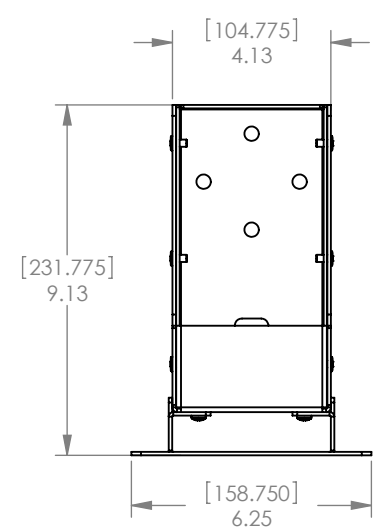
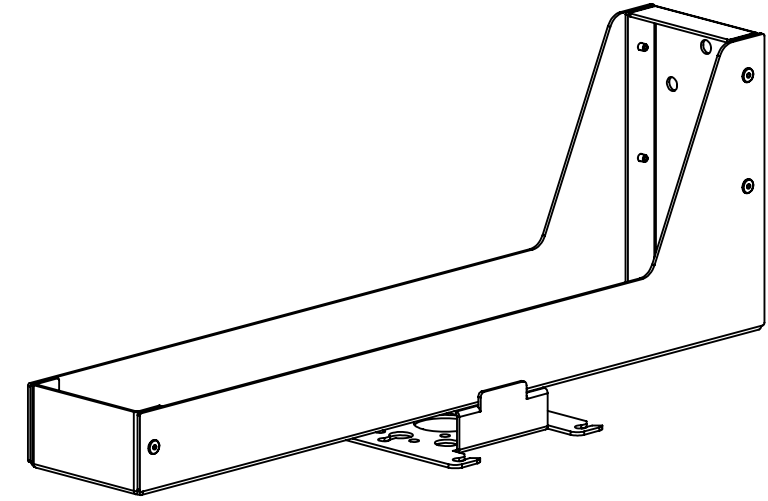
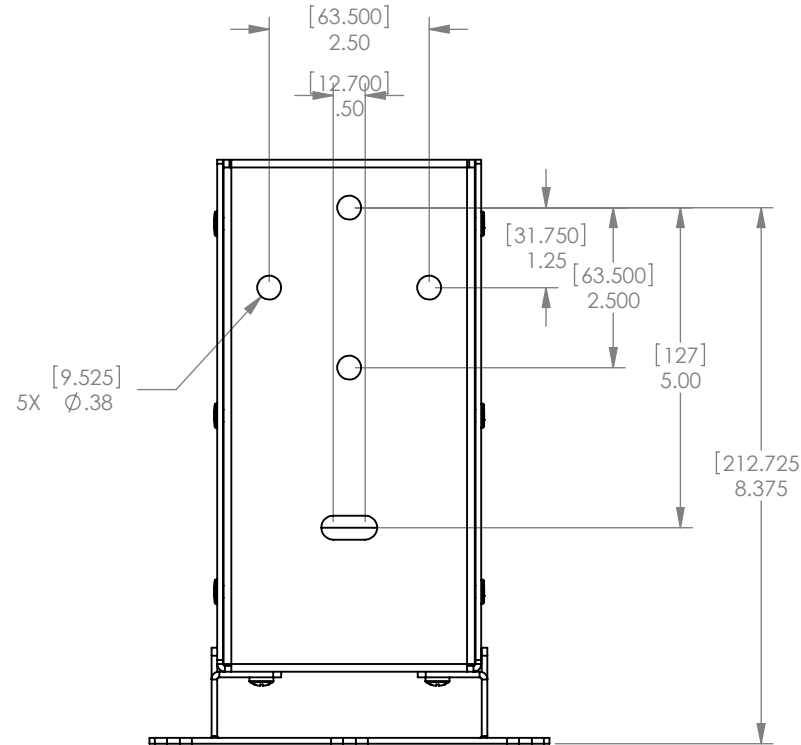
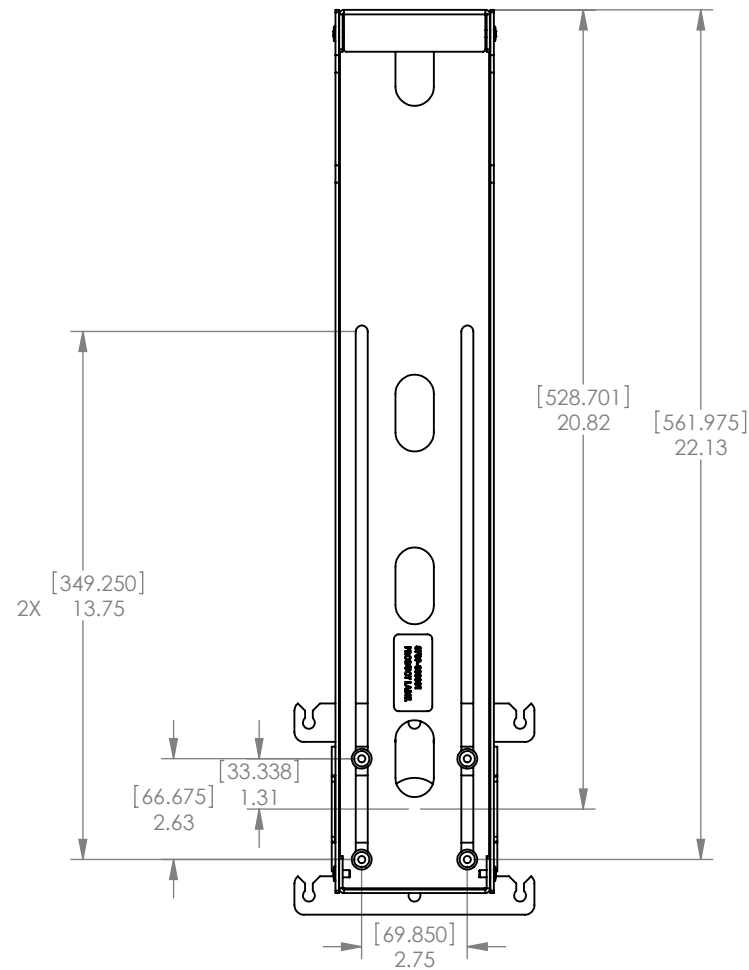


D

C

B

A



LENS OFF SET MESURMENTS:
TOP OF MOUNT TO CENTER OF LENS
0.00"



CHIEF MANUFACTURING INC.
MOUNT ORDER NUMBER IS WPA-000
PHONE: 1-800-582-6480

CHIEF 8401 EAGLE CREEK PKY
 SAVAGE, MN 55378
 PHONE: 952-894-6280
 FAX: 877-894-6918

TITLE
CUSTOMER PRINT
WPA000,

SIZE | DWG. NO.
B BRACKET ORDER # WPA000