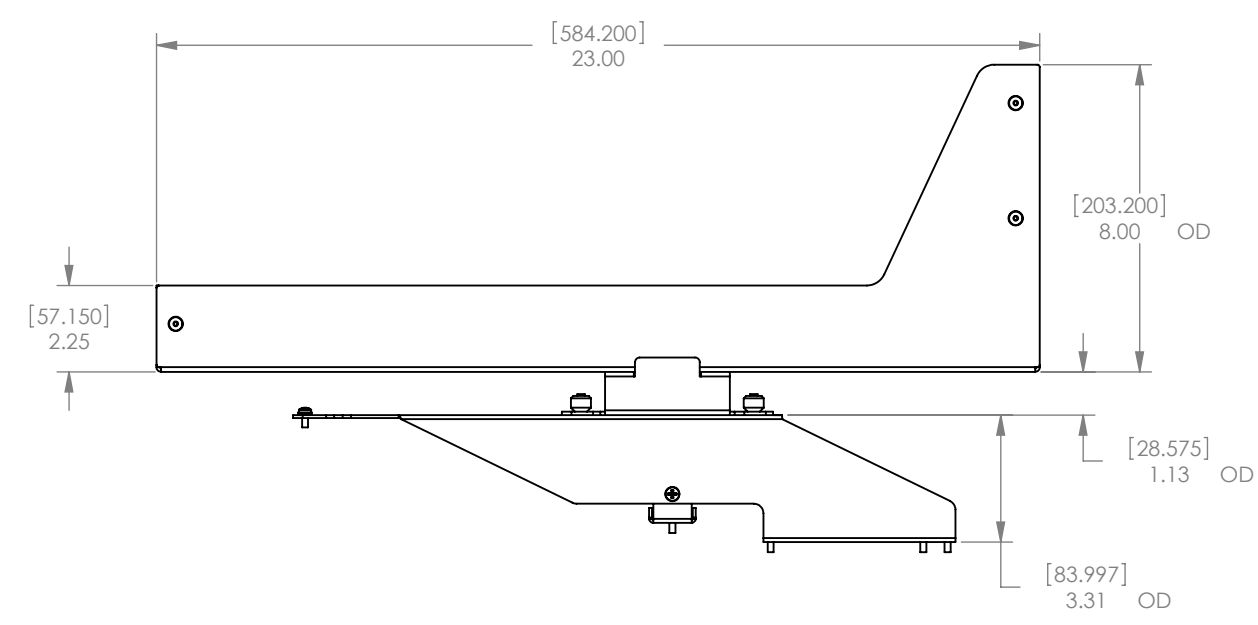
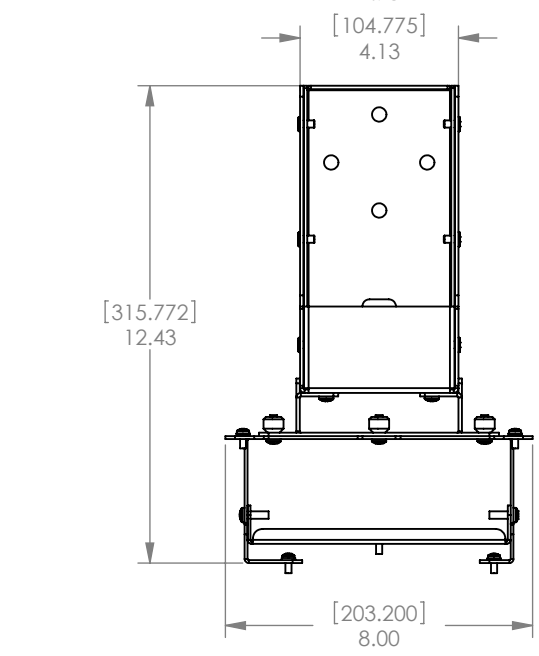
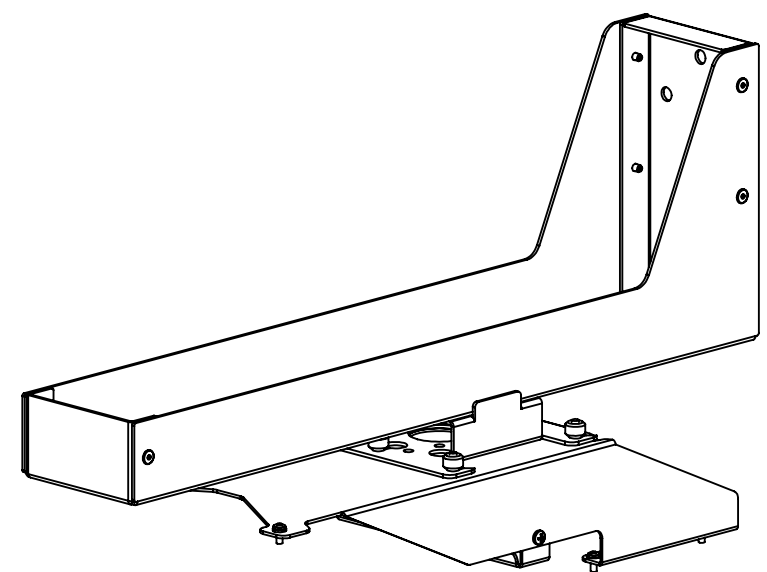
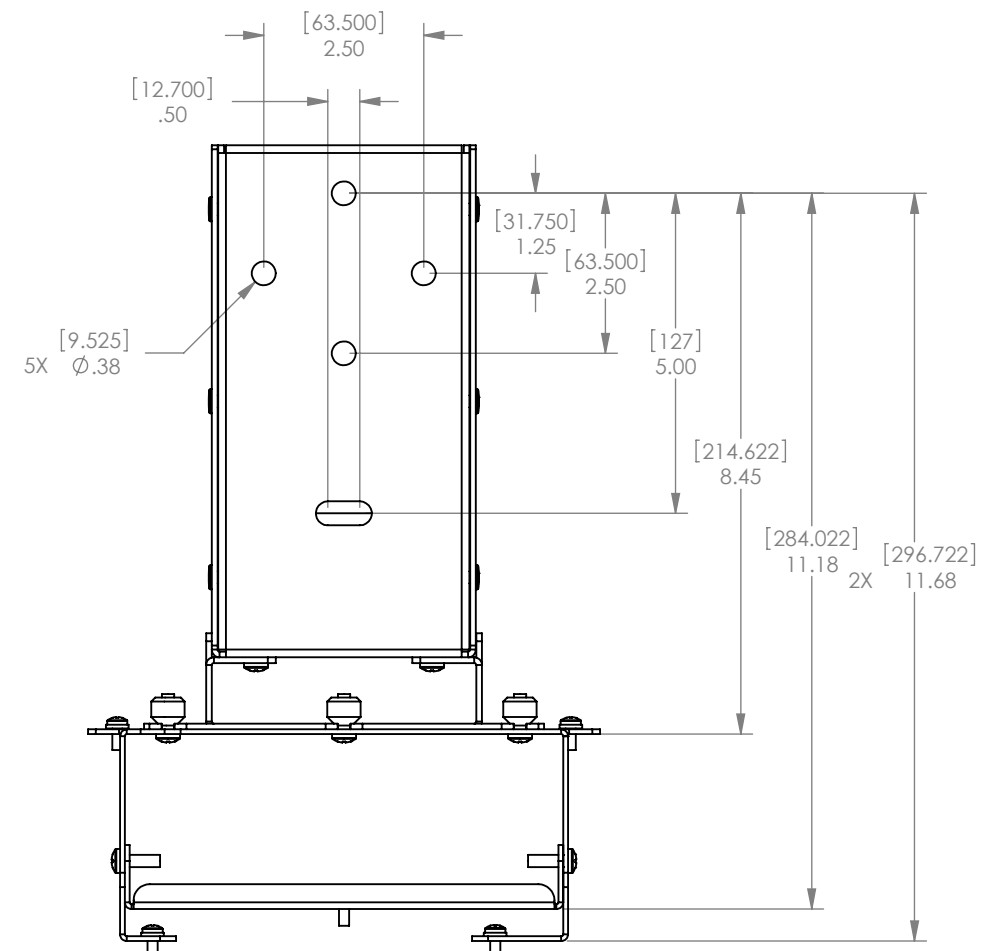
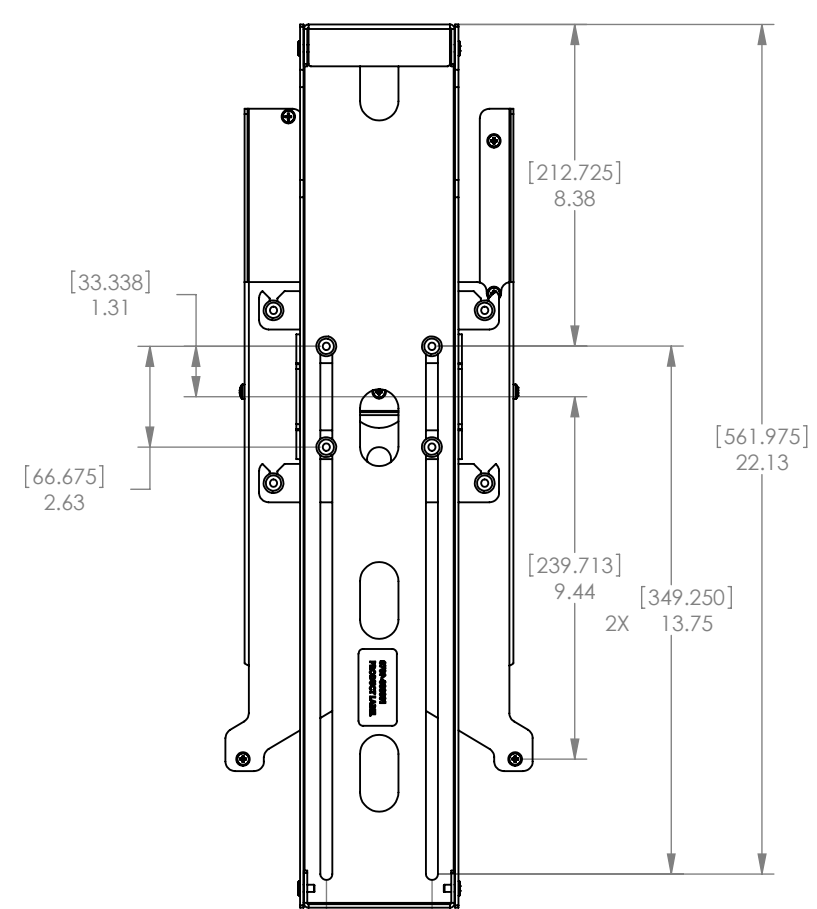


1 2 3 4 5 6 7 8

BRACKET ORDER # WPA211



LENS OFF SET MESURMENTS:

TOP OF PROJECTOR MOUNT TO TOP MOUNTING HOLE IN WALL MOUNT 8.45"

FROM CENTER OF LENS TO CENTER IF MOUNT 0.000"

FROM BACK OF PROJECTOR TO WALL AJUSTABLE FROM 2.00" FROM WALL TO 15.75" FROM WALL



CHIEF MANUFACTURING INC.
MOUNT ORDER NUMBER IS WPA211
PHONE: 1-800-582-6480

	8401 EAGLE CREEK PKY SAVAGE, MN 55378 PHONE: 952-894-6280 FAX: 877-894-6918
TITLE	CUSTOMER PRINT WPA211,
SIZE DWG. NO.	B BRACKET ORDER # WPA211

1 2 3 4 5 6 7 8

A

B

C

D

D

C

B

A