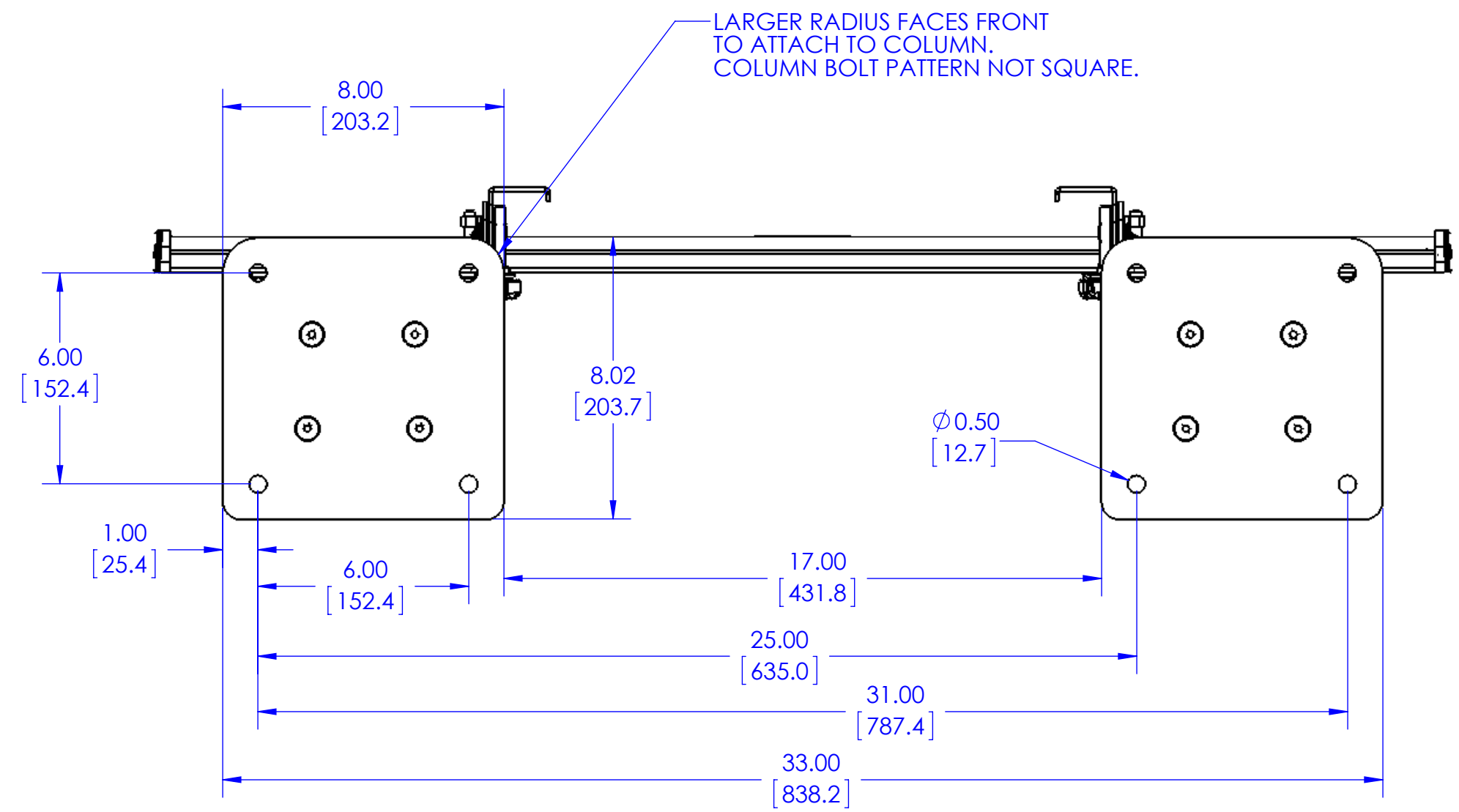


MAX WEIGHT:  
250 LBS

THE INFORMATION AND DESIGNS CONTAINED IN THIS DRAWING ARE CONFIDENTIAL AND THE PROPRIETARY PROPERTY OF MILESTONE AV TECHNOLOGIES NEITHER THIS DESIGN NOR ANY INFORMATION CONTAINED IN THIS DRAWING MAY BE REPRODUCED OR DISCLOSED TO OTHERS WITHOUT THE EXPRESS WRITTEN CONSENT OF MILESTONE AV TECHNOLOGIES.

|                                                |     |            |                                                                                           |             |      |
|------------------------------------------------|-----|------------|-------------------------------------------------------------------------------------------|-------------|------|
| CAD GENERATED DRAWING, DO NOT MANUALLY UPDATE. |     |            | 6436 CITY WEST PKWY<br>EDEN PRAIRIE MN, 55344<br>PHONE: 866-977-3901<br>FAX: 877-894-6918 |             |      |
| DRAWN BY                                       | PLL | 10/22/2014 |                                                                                           |             |      |
| ENG APPROVAL                                   |     |            | DESCRIPTION                                                                               |             |      |
| MFG APPROVAL                                   |     |            | XBM1U                                                                                     |             |      |
| QA APPROVAL                                    |     |            | MODEL NO.                                                                                 |             |      |
|                                                |     |            | XBM1U                                                                                     |             |      |
| SHEET 1 OF 2                                   |     | SCALE      | SIZE                                                                                      | DWG. NO.    | REV. |
|                                                |     | 1:16       | B                                                                                         | TECH-000650 | 00   |

# BOTTOM VIEW FOR BOLT DOWN INSTALATION



|                     |                      |
|---------------------|----------------------|
| SYMBOLS 符号          | REVISION CHANGE 版本变更 |
| INSPECTION 检验       | ITEM NUMBER 编号       |
| REFERENCE DIM. 参考尺寸 |                      |

**THE INFORMATION AND DESIGNS CONTAINED IN THIS DRAWING ARE CONFIDENTIAL AND THE PROPRIETARY PROPERTY OF MILESTONE AV TECHNOLOGIES NEITHER THIS DESIGN NOR ANY INFORMATION CONTAINED IN THIS DRAWING MAY BE REPRODUCED OR DISCLOSED TO OTHERS WITHOUT THE EXPRESS WRITTEN CONSENT OF MILESTONE AV TECHNOLOGIES.** 本图纸所包含的信息和设计均系 Milestone 机密和知识产权，本图纸包含的设计和信息的在未经 Milestone 允许情况下均不得复制或泄露

|                                                                          |                                   |
|--------------------------------------------------------------------------|-----------------------------------|
| THIRD ANGLE PROJECTION 第三角度投影                                            | UNLESS OTHERWISE SPECIFIED 除非另有说明 |
| DIMS. AND TOLERANCES PER ASME Y14.5 - 1994 按照 ASME Y14.5 - 1994 规定的尺寸和公差 | MATERIAL 材质                       |
| SPECIFICATIONS 规范                                                        |                                   |
| TOOL NO. 模具编号                                                            |                                   |

|                            |                    |
|----------------------------|--------------------|
| .X ±.100 [X] ±2.5mm        | FRACTION 分数 ±1/16  |
| .XX ±.030 [X.X] ±.75mm     | ANGULAR 角度 ±0°30'  |
| .XXX ±.010 [X.XX] ±.25mm   | SURFACE FINISH 125 |
| .XXXX ±.005 [X.XXX] ±.13mm | 表面加工               |

|                                                               |     |               |
|---------------------------------------------------------------|-----|---------------|
| CAD GENERATED DRAWING, DO NOT MANUALLY UPDATE. CAD 制作图, 非手工更新 |     |               |
| DRAWN BY 绘图者                                                  | PLL | 10/22/2014    |
| ENG APPROVAL 工程批准                                             |     |               |
| MFG APPROVAL 制造批准                                             |     |               |
| QA APPROVAL 品质批准                                              |     |               |
| SHEET 清 2 OF 单 2                                              |     | SCALE 比例 1:16 |

|                                     |                                                                                           |
|-------------------------------------|-------------------------------------------------------------------------------------------|
| <b>milestone</b><br>AV Technologies | 6436 CITY WEST PKWY<br>EDEN PRAIRIE MN, 55344<br>PHONE: 866-977-3901<br>FAX: 877-894-6918 |
| DESCRIPTION 描述                      | <b>XBM1U</b>                                                                              |
| SIZER 寸 DWG. NO. 图纸编号               | B TECH-000650                                                                             |
| REV 修订                              | 00                                                                                        |