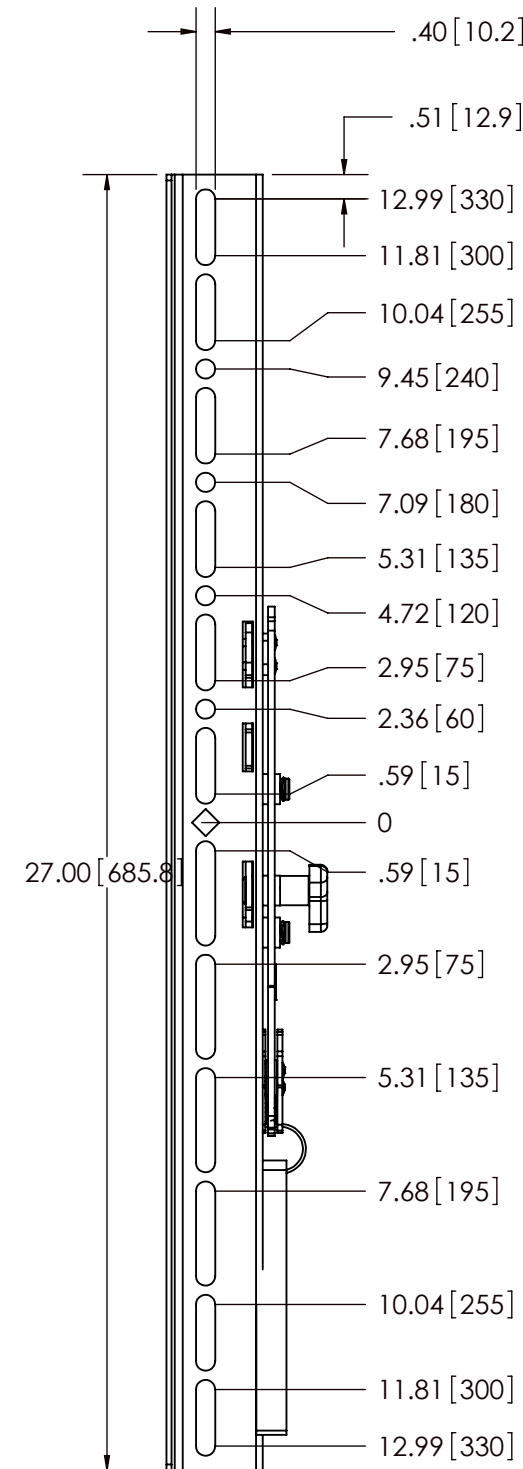
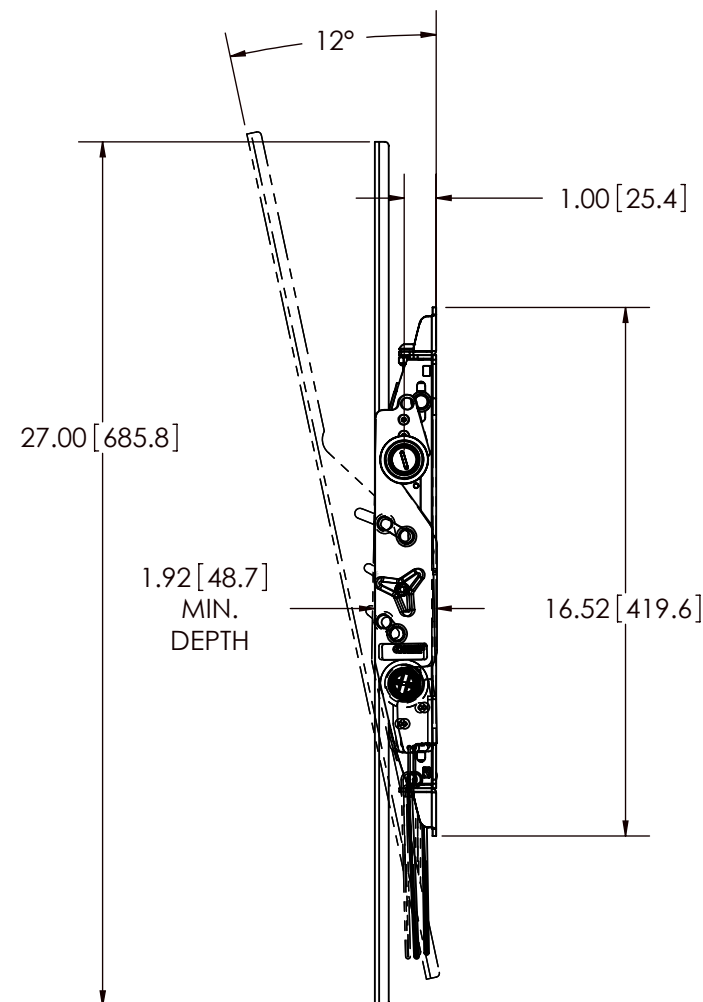
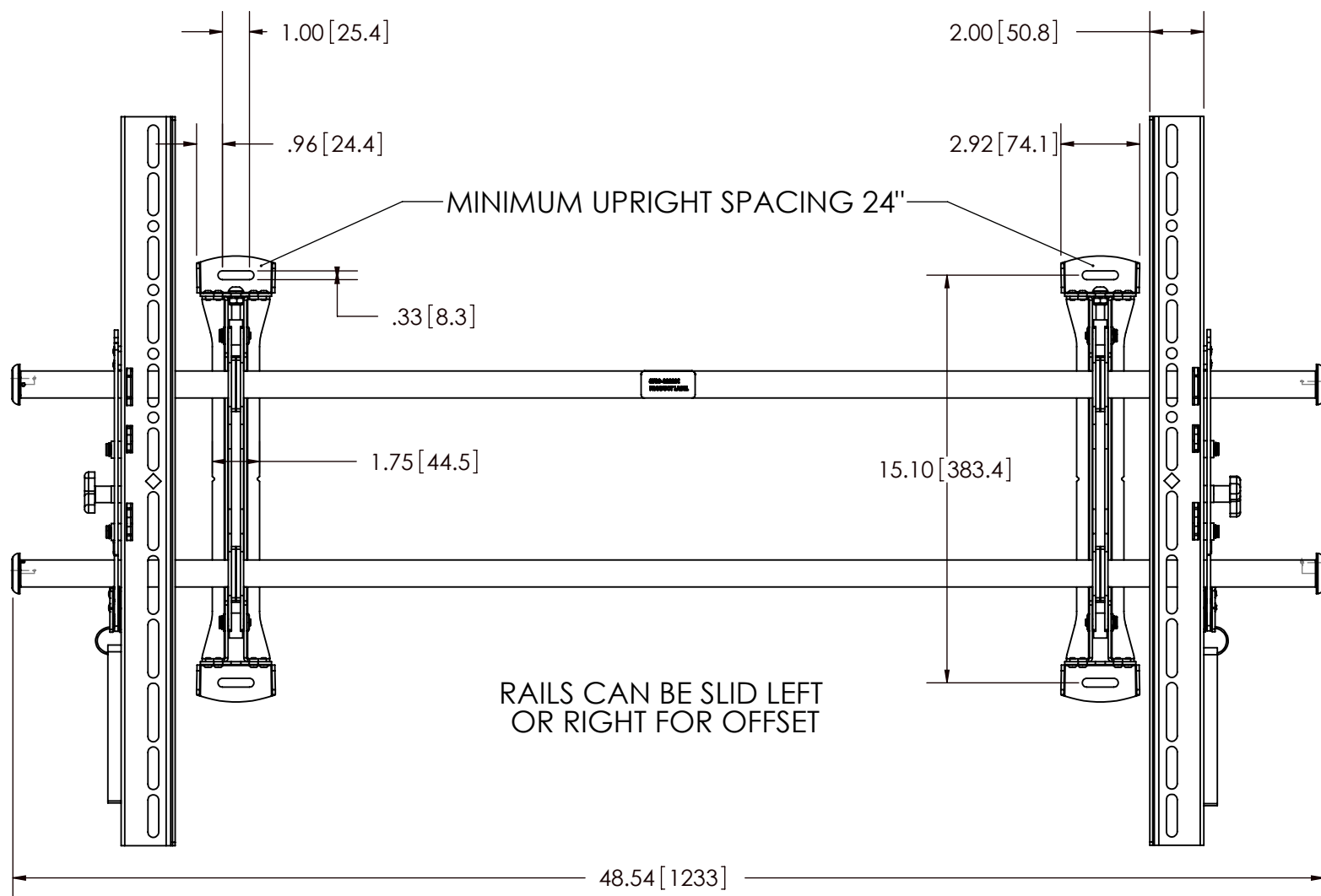
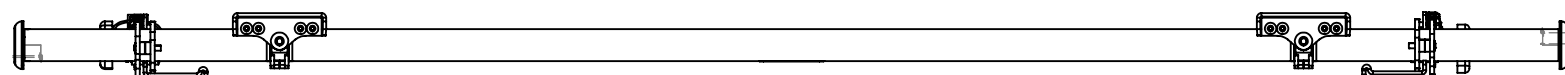


NOTES:

1. MAX MOUNTING PATTERN IS 44.7" (1135.4 mm) WITHOUT REVERSING UPRIGHTS.
2. MAX MOUNTING PATTERN IS 49.2" (1249.7 mm) WITH REVERSING UPRIGHTS.
3. FOR RECESSED APPLICATIONS, MINIMUM VERTICAL LIFT FOR HOOK ENGAGEMENT IS .41"[10.4mm].
4. MOUNT IS 1.92"[48.7mm] DEEP WHEN FLAT TO WALL.



CHIEF MANUFACTURING INC.
 PRODUCT ORDER NUMBER IS: XTMU AND XTMXXXX
 PHONE: 1-800-582-6480

SHEET SCALE = 1:6

THE INFORMATION AND DESIGNS CONTAINED IN THIS DRAWING ARE CONFIDENTIAL AND THE PROPRIETARY PROPERTY OF MILESTONE AV TECHNOLOGIES NEITHER THIS DESIGN NOR ANY INFORMATION CONTAINED IN THIS DRAWING MAY BE REPRODUCED OR DISCLOSED TO OTHERS WITHOUT THE EXPRESS WRITTEN CONSENT OF MILESTONE AV TECHNOLOGIES.



TITLE
CUSTOMER PRINT
XTMU AND XTMXXXX

SIZE DWG. NO.
B XTMU AND XTMXXXX

8401 EAGLE CREEK PKY
 SUITE #700
 SAVAGE, MN 55378
 PHONE: 952-894-6280
 FAX: 877-894-6918