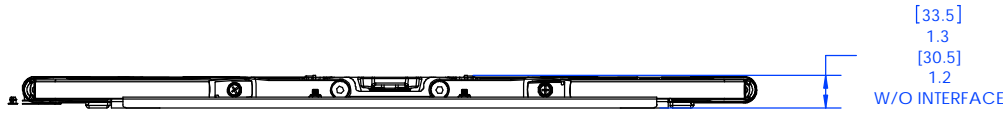
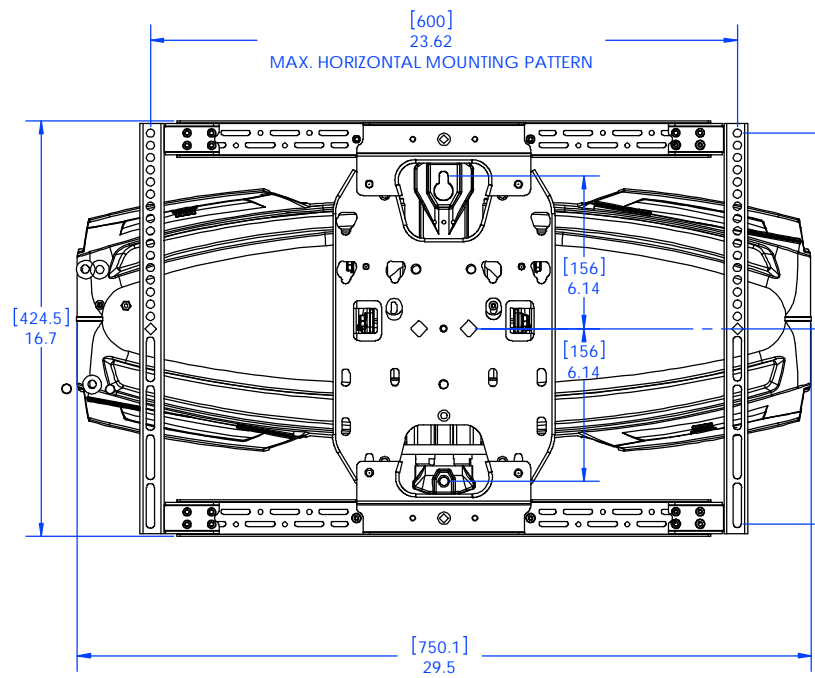


1 2 3 4 5 6 7 8

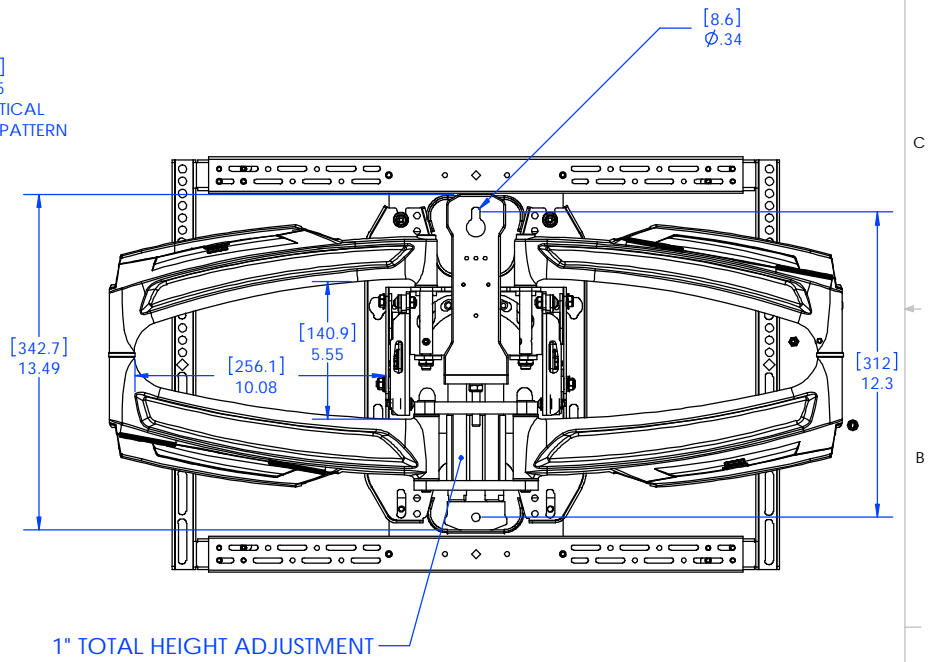


FACEPLATE CONTAINS
200 X 200
100 X 100
100 X 200
MOUNTING PATTERNS
INTERFACE NOT REQUIRED

25" [635 mm] MAXIMUM EXTENSION
15° MAXIMUM TILT



[400]
15.75
MAX VERTICAL
MOUNTING PATTERN



CHIEF MANUFACTURING INC.
MOUNT CONNECTOR ORDER NUMBER ICF30BXX
PHONE: 1-800-582-6480

SHEET SCALE = 1:5

THE INFORMATION AND DESIGNS CONTAINED
IN THIS DRAWING ARE CONFIDENTIAL AND THE
PROPRIETARY PROPERTY OF CHIEF MFG., INC.
NEITHER THIS DESIGN NOR ANY INFORMATION
CONTAINED IN THIS DRAWING MAY BE
REPRODUCED OR DISCLOSED TO OTHERS
WITHOUT THE EXPRESS WRITTEN CONSENT OF
CHIEF MFG., INC.

CHIEF
8401 EAGLE CREEK PKY
SUITE #700
SAVAGE, MN 55378
PHONE: 952-894-6280
FAX: 877-694-6918

TITLE
ICF30BXX

SIZE DWG. NO.
B XXXXXXXX

1 2 3 4 5 6 7 8

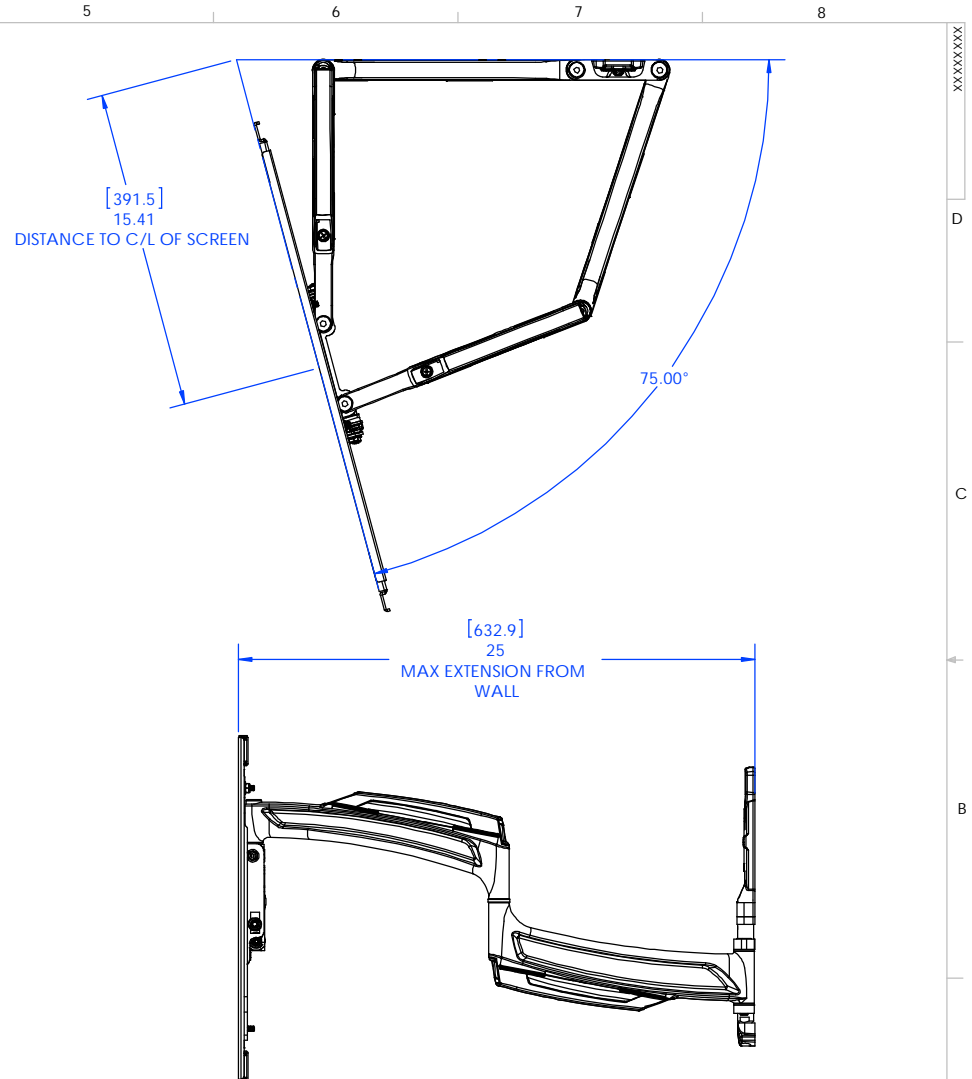
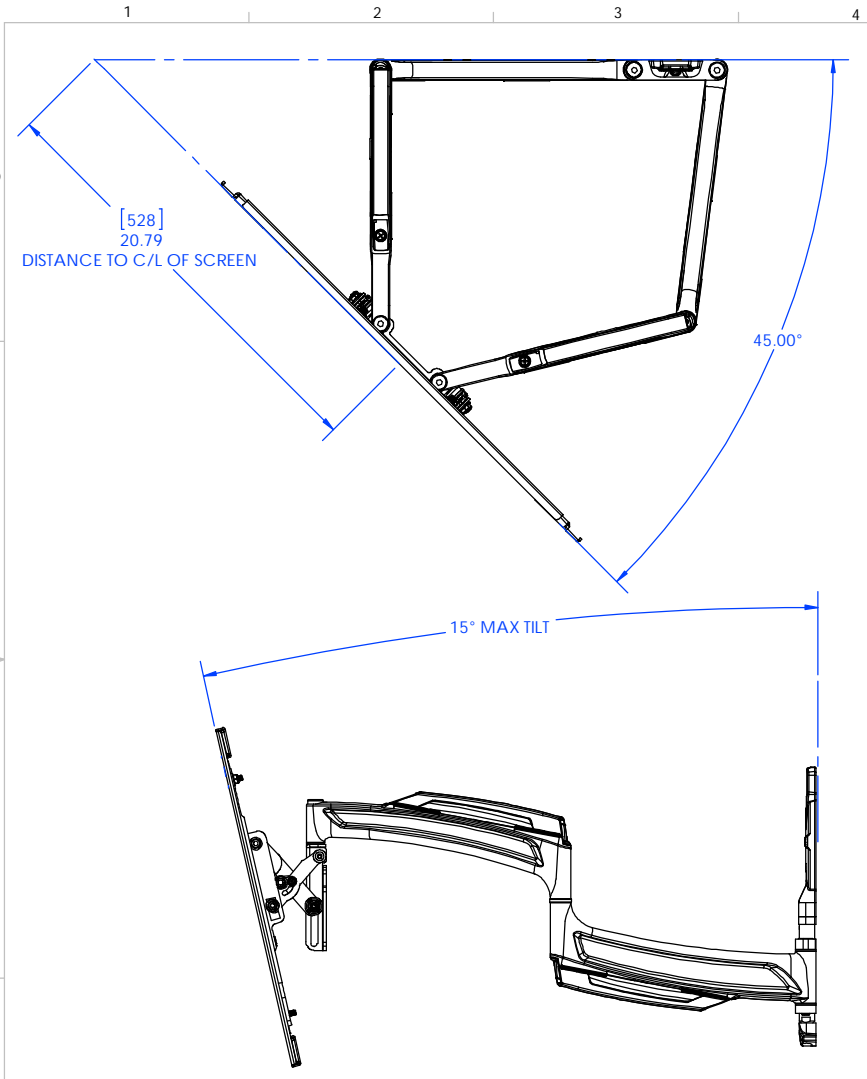
XXXXXXXXXX

D

C

B

A



CHIEF MANUFACTURING INC.
MOUNT CONNECTOR ORDER NUMBER ICF30BXX
PHONE: 1-800-582-6480

SHEET SCALE = 1:6

THE INFORMATION AND DESIGNS CONTAINED IN THIS DRAWING ARE CONFIDENTIAL AND THE PROPRIETARY PROPERTY OF CHIEF MFG., INC. NEITHER THIS DESIGN NOR ANY INFORMATION CONTAINED IN THIS DRAWING MAY BE REPRODUCED OR DISCLOSED TO OTHERS WITHOUT THE EXPRESS WRITTEN CONSENT OF CHIEF MFG., INC.

CHIEF
8401 EAGLE CREEK PKY
SUITE #700
SAVAGE, MN 55378
PHONE: 952-894-6280
FAX: 877-894-6918

TITLE
ICF30BXX

SIZE DWG. NO.
B XXXXXXXX

XXXXXXXXXX
D
C
B
A