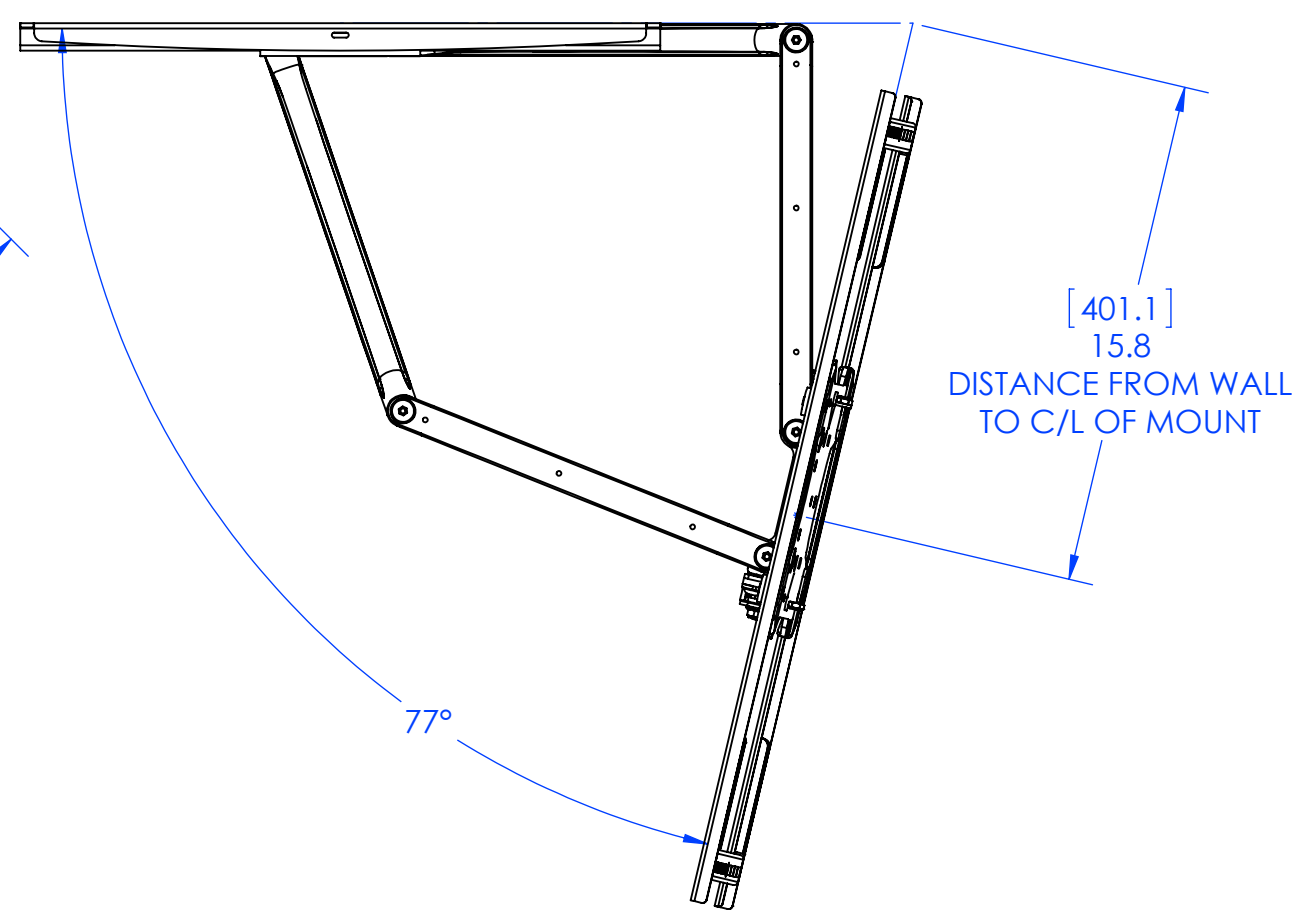
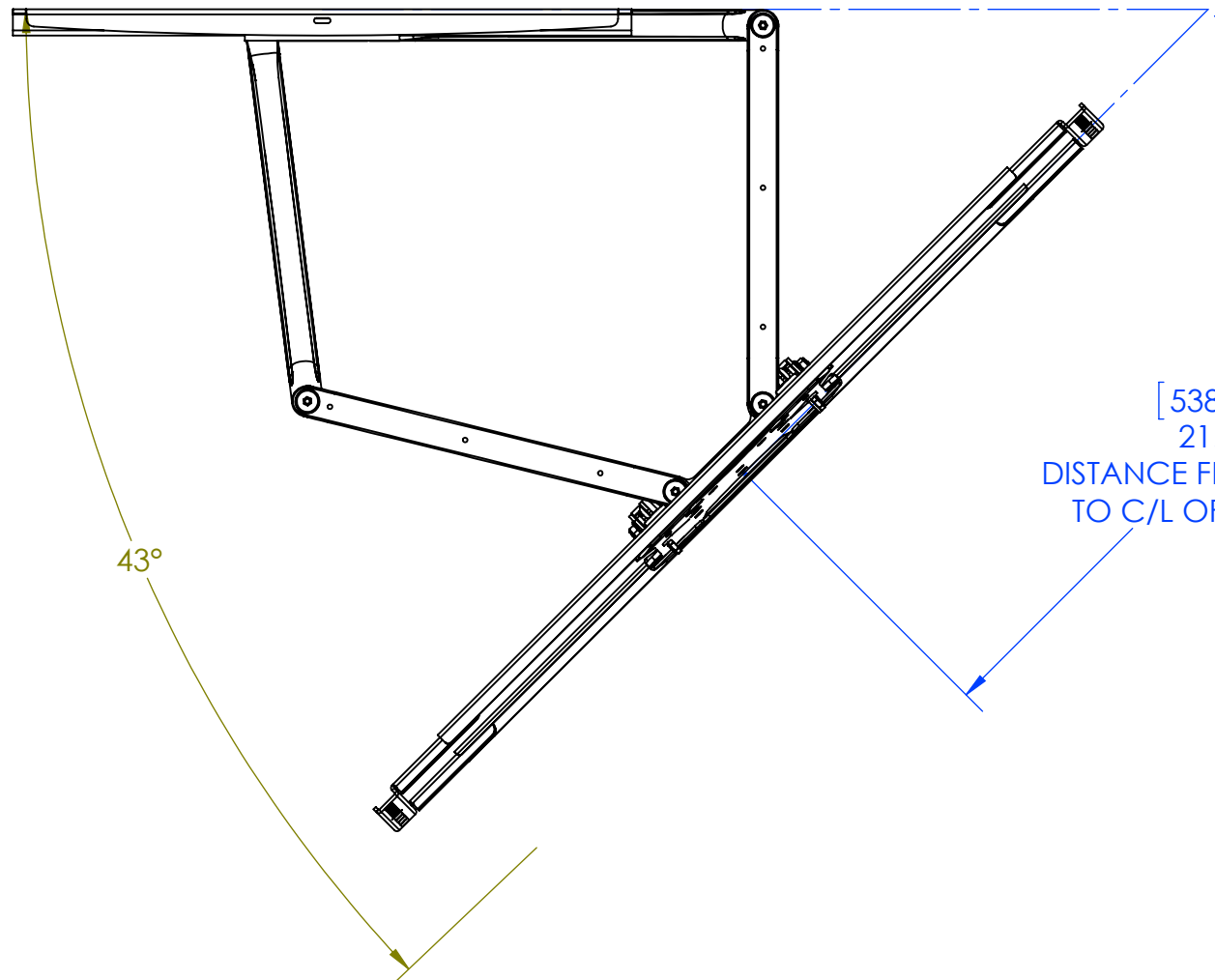


THE INFORMATION AND DESIGNS CONTAINED IN THIS DRAWING ARE CONFIDENTIAL AND THE PROPRIETARY PROPERTY OF MILESTONE AV TECHNOLOGIES NEITHER THIS DESIGN NOR ANY INFORMATION CONTAINED IN THIS DRAWING MAY BE REPRODUCED OR DISCLOSED TO OTHERS WITHOUT THE EXPRESS WRITTEN CONSENT OF MILESTONE AV TECHNOLOGIES.

CAD GENERATED DRAWING, DO NOT MANUALLY UPDATE.			CHIEF 6436 CITY WEST PKWY EDEN PRAIRIE MN, 55344 PHONE: 866-977-3901 FAX: 877-894-6918
DRAWN BY	TLC	7/30/2012	
ENG APPROVAL		07/30/2012	DESCRIPTION IC THIN SWING ARM - 125 LBS - 25"
MFG APPROVAL			MODEL NO. ICF50B03
QA APPROVAL			SIZE B
SHEET 1 OF 2		SCALE 1:6	DWG. NO. TECH-000086
			REV. 00

MAXIMUM SIDE SWIVEL



THE INFORMATION AND DESIGNS CONTAINED IN THIS DRAWING ARE CONFIDENTIAL AND THE PROPRIETARY PROPERTY OF MILESTONE AV TECHNOLOGIES NEITHER THIS DESIGN NOR ANY INFORMATION CONTAINED IN THIS DRAWING MAY BE REPRODUCED OR DISCLOSED TO OTHERS WITHOUT THE EXPRESS WRITTEN CONSENT OF MILESTONE AV TECHNOLOGIES.

CAD GENERATED DRAWING, DO NOT MANUALLY UPDATE.		<p>6436 CITY WEST PKWY EDEN PRAIRIE MN, 55344 PHONE: 866-977-3901 FAX: 877-894-6918</p>
DRAWN BY	TLC 7/30/2012	
ENG APPROVAL		DESCRIPTION
MFG APPROVAL	07/30/2012	IC THIN SWING ARM - 125 LBS - 25"
QA APPROVAL		MODEL NO.
		ICF50B03
SHEET 2 OF 2	SCALE	SIZE
	1:6	B
	DWG. NO.	REV.
	TECH-000086	00