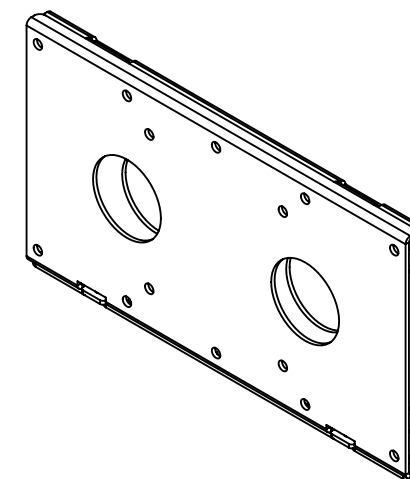
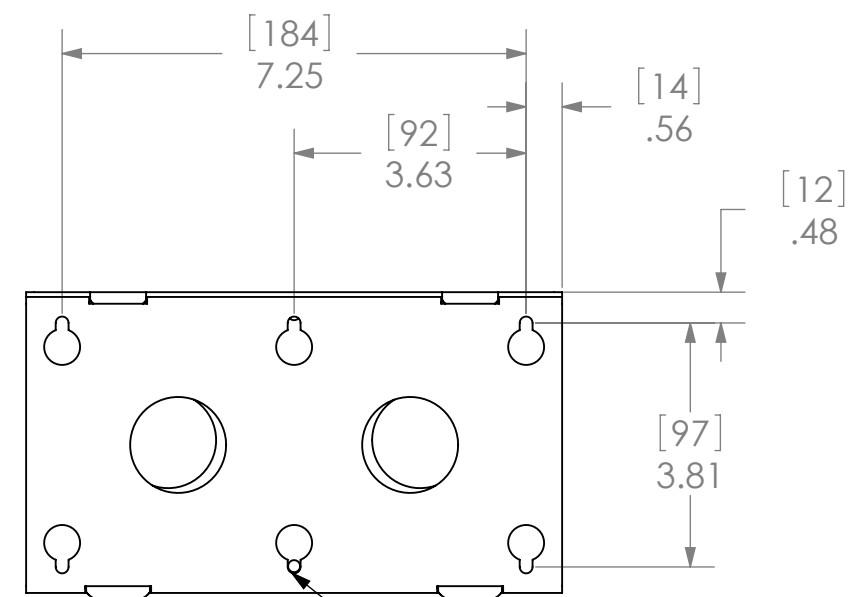
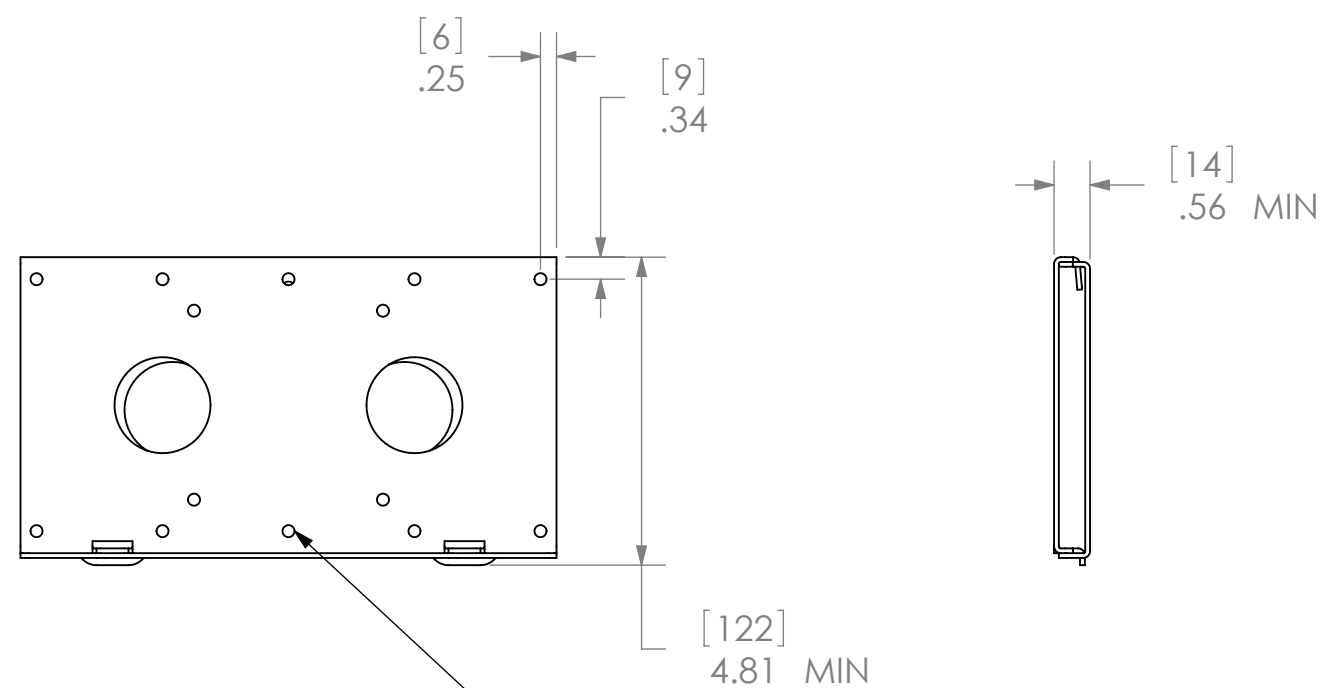
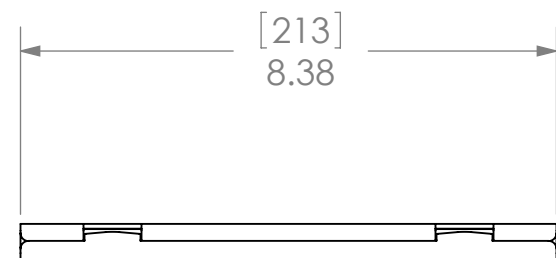


VESA STANDARD 75x75, 100x100, & 200x100



FLAT PANEL MOUNTING PATTERN INFORMATION

VESA: 75 x 75 mm, 100 x 100 mm, 200 x 100 mm, 200 x 200 mm (SHEET 2)



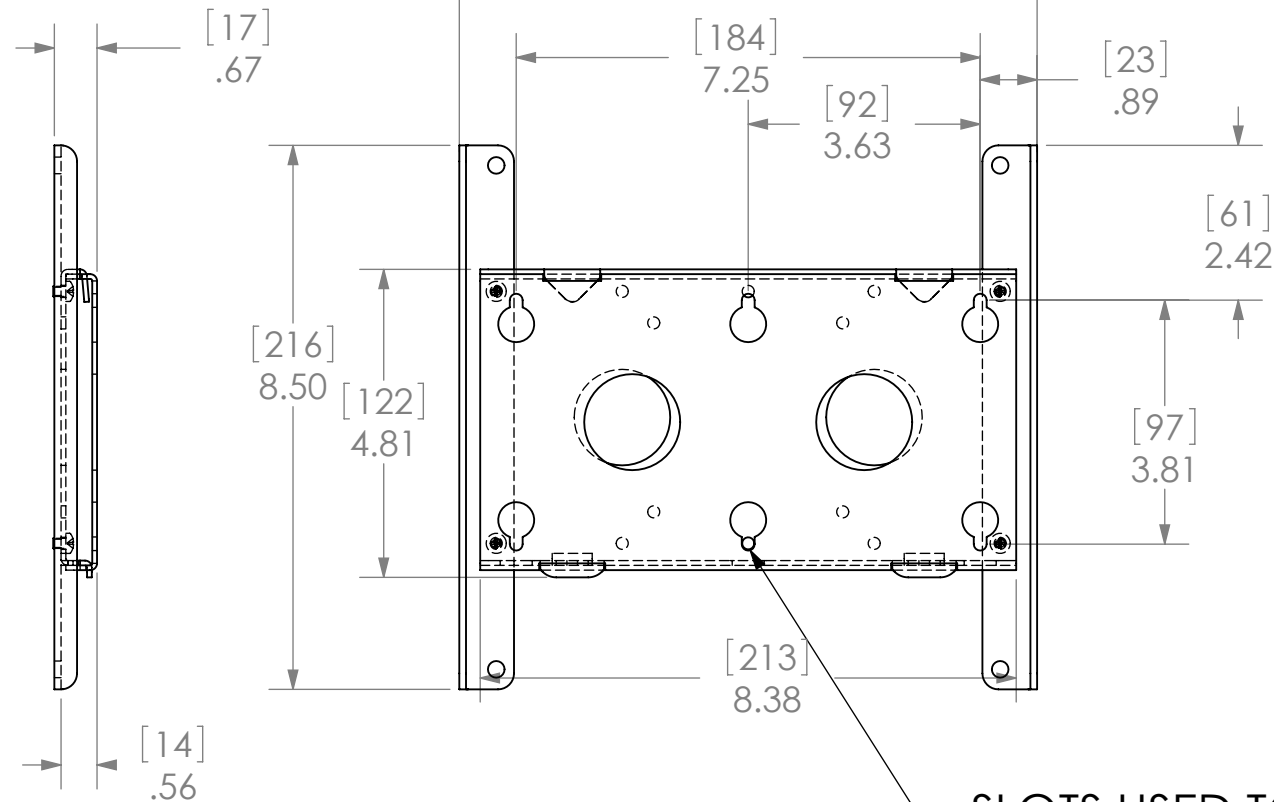
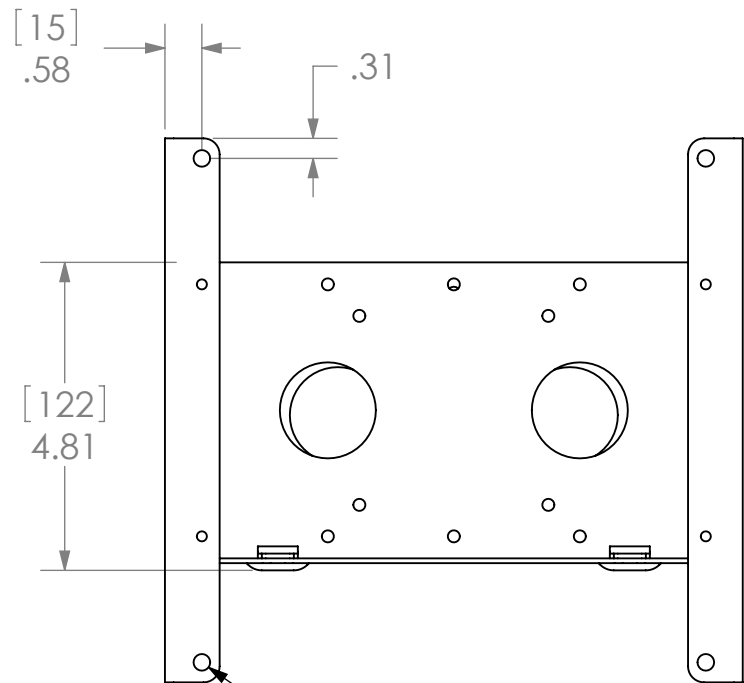
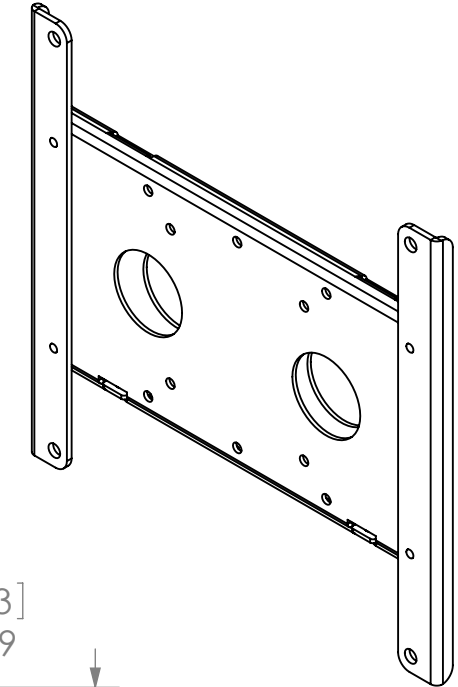
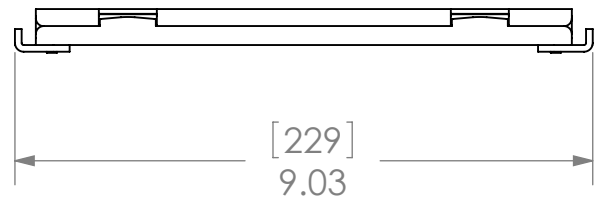
iC Mounting Solutions
 Mount order # is: iC-SP-FM1
 P: 1-800-572-1373

THE INFORMATION AND DESIGNS CONTAINED IN THIS DRAWING ARE CONFIDENTIAL AND THE PROPRIETARY PROPERTY OF IC MOUNTING SOLUTIONS. NEITHER THIS DESIGN NOR ANY INFORMATION CONTAINED IN THIS DRAWING MAY BE REPRODUCED OR DISCLOSED TO OTHERS WITHOUT THE EXPRESS WRITTEN CONSENT OF IC MOUNTING SOLUTIONS

iC Mounting Solutions
 8401 EAGLE CREEK PKWY STE. 700, SAVAGE, MN 55378
 1.800.572.1373 * FAX 1.877.894.6918

TITLE
CUSTOMER PRINT
iC-SP-FM1

SIZE DWG. NO.
B iC-SP-FM1



USE SUPPLIED SCREWS
TO ATTACH SCREEN.
VESA STANDARD MOUNTING

SLOTS USED TO ATTACH
UNIT TO WALL



iC Mounting Solutions
Mount order # is: iC-SP-FM1
P: 1-800-572-1373

THE INFORMATION AND DESIGNS CONTAINED
IN THIS DRAWING ARE CONFIDENTIAL AND THE
PROPRIETARY PROPERTY OF IC MOUNTING
SOLUTIONS. NEITHER THIS DESIGN NOR ANY
INFORMATION CONTAINED IN THIS DRAWING
MAY BE REPRODUCED OR DISCLOSED TO OTHERS
WITHOUT THE EXPRESS WRITTEN CONSENT OF
IC MOUNTING SOLUTIONS

| | |
|--|------------------------------|
| | |
| iC Mounting Solutions <small>8401 EAGLE CREEK PKWY STE. 700, SAVAGE, MN 55378 1.800.572.1373 * FAX 1.877.894.6918</small> | |
| TITLE CUSTOMER PRINT iC-SP-FM1 | |
| SIZE B | DWG. NO. iC-SP-FM1 |