



**Office of Statewide Health Planning and Development
ANCHORAGE PRE-APPROVAL**

OPA-2515-10

THIS PRE- APPROVAL CONFORMS TO THE 2010 CALIFORNIA BUILDING CODE

Equipment Manufacturer: Milestone Inc.

Equipment Type: MSM/MTM Series Monitor Mount

GENERAL NOTES

1. FORCES PER ASCE 7-05 SECTION 13.3.1, EQUATIONS 13.3-1, 13.3-2 & 13.3-3, WHERE $S_{Ds} = 2.0$, $a_p = 1.0$, $I_p = 1.5$ & $R_p = 2.5$, $z/h \leq 1.0$
2. THIS PRE-APPROVAL CONFORMS TO THE 2010 CALIFORNIA BUILDING CODE.
3. THE DETAILS IN THIS PRE-APPROVAL MAY BE USED AT ANY HEIGHT AND AT ANY LOCATION IN THE STATE OF CALIFORNIA, WHERE S_{Ds} IS NOT GREATER THAN 2.0.
4. ALL ANCHOR FORCES SHOWN ON THE DRAWINGS ARE FACTORED LOADS THAT SHALL BE USED FOR STRENGTH DESIGN.
5. SHEET METAL SCREWS SHALL BE TEKS SCREWS BY ITW BUILDEX (ICC ESR-1976).
6. THIS PRE-APPROVAL COVERS ONLY THE ANCHORAGE OF THE UNIT TO THE HOSPITAL BUILDING'S STRUCTURE

RESPONSIBILITIES OF THE STRUCTURAL ENGINEER OF RECORD OF THE BUILDING

7. DESIGN BACKING BARS, STUDS, ETC. WHICH THE UNITS ARE ATTACHED TO AS NOTED ON THE DRAWINGS.
THE SEOR SHALL ALSO VERIFY THE ADEQUACY OF THE STRUCTURES (SUCH AS WALLS AND FLOORS) WHICH SUPPORT THE UNITS FOR THE LOADS IMPOSED ON THEM BY THE UNITS AS WELL AS ALL OTHER LOADS.
8. PROVIDE ANY SUPPORTING STRUCTURE REQUIRED TO SUPPORT WEIGHTS AND FORCES SHOWN, IN ADDITION TO ALL OTHER LOADS.
9. VERIFY THAT THE INSTALLATION IS IN CONFORMANCE WITH THE 2010 CBC AND WITH THE DETAILS SHOWN IN THIS PRE-APPROVAL.
VERIFY THAT THE ACTUAL EQUIPMENT'S WEIGHT, CG LOCATION, ANCHOR LOCATIONS, ANCHOR DETAILS AND THE MATERIAL AND GAGE OF THE UNIT WHERE ATTACHMENTS ARE MADE AGREE WITH THE INFORMATION SHOWN ON THE PRE-APPROVAL DOCUMENTS.
10. VERIFY THAT THE COMBINATION OF S_{Ds} & z/h RESULT IN SEISMIC FORCES (E_h , E_v) THAT ARE NOT GREATER THAN THE VALUES ON THE DETAILS.



MILESTONE INC.

DES. **J. ROBERSON**

SHEET

2

JOB **11-1022**

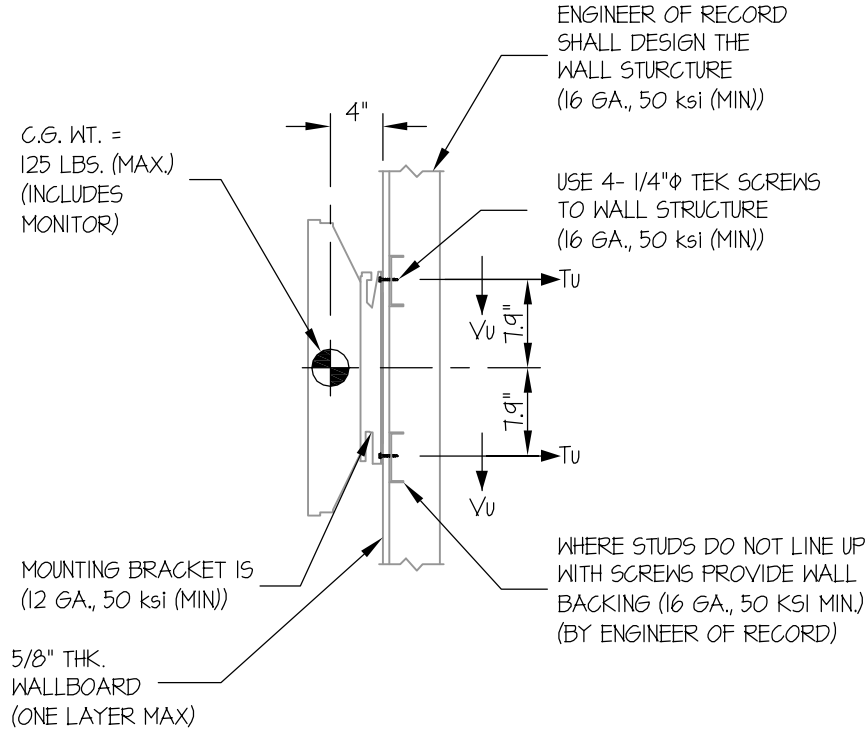
MSM/MTM SERIES MONITOR MOUNT

DATE **3/2/12**

OF **3** SHEETS

SEISMIC ANCHORAGE

WALL MOUNTED



SIDE ELEVATION
AT STEEL STUD WALL

$T_u = 77$ LB/SCREW (MAX)
 $V_u = 67$ LB/SCREW (MAX)

NOTES:

1. ANCHORAGE DESIGN PER 2010 CALIFORNIA BUILDING CODE AND ASCE 7-05 STRENGTH DESIGN IS USED.

HORIZONTAL FORCE (E_h) = $1.44 W_p$ ($S_Ds = 2.00$, $a_p = 1.0$, $I_p = 1.5$, $R_p = 2.5$, $z/h \leq 1.0$)
 VERTICAL FORCE (E_v) = $0.40 W_p$

2. CENTER OF GRAVITY (C.G.) WEIGHT IS A MAXIMUM. THIS PRE-APPROVAL ENCOMPASSES ALL WEIGHTS UP TO THE MAXIMUM WEIGHT SHOWN.

3. ENGINEER OF RECORD FOR THE BUILDING SHALL PROVIDE SUPPORT STRUCTURE DESIGNED TO SUPPORT WEIGHTS AND FORCES SHOWN, IN ADDITION TO ALL OTHER LOADS.

4. SEE GENERAL NOTES: SHEETS 1-2



APPROVED
 Fixed Equipment Anchorage
 Office of Statewide Health Planning and Development

OPA-2515-10

Pre-approval Program Manager:
 Anthony R. Pike
 (916) 440-8470

Reviewed By: Jeffrey Kikumoto 3/2/12

MILESTONE INC.

MSM/MTM SERIES MONITOR MOUNT

DES. **J. ROBERSON**

JOB **11-1022**

DATE **3/2/12**

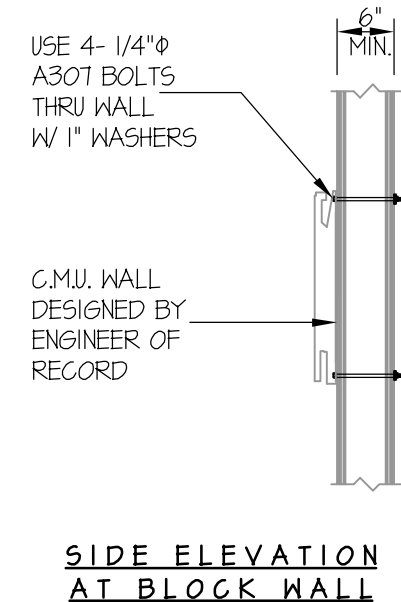
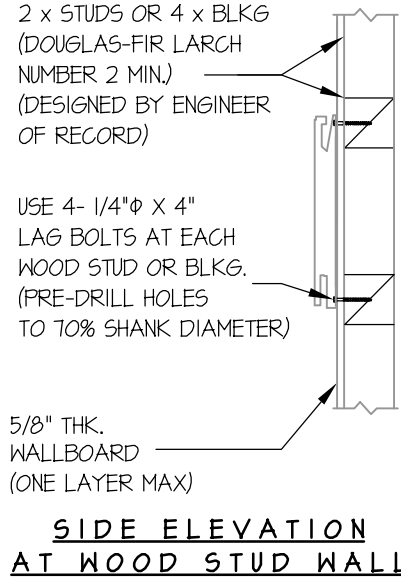
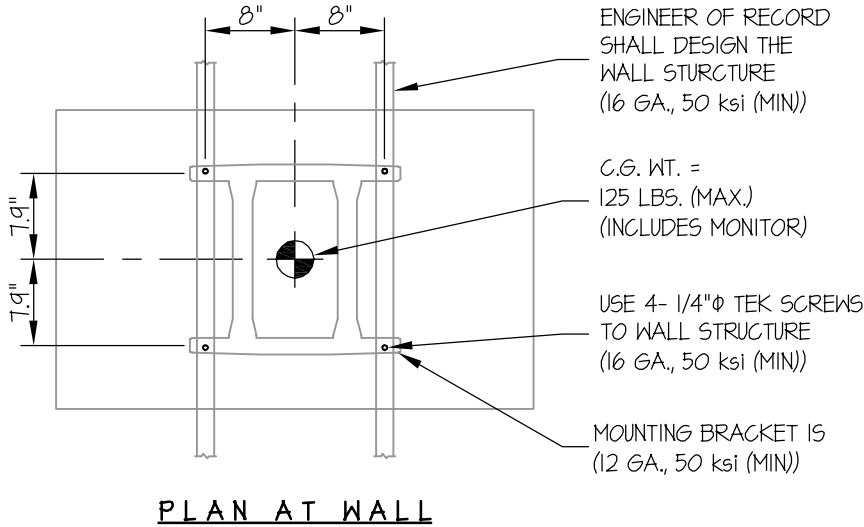
SHEET

3

OF **3** SHEETS

SEISMIC ANCHORAGE

WALL MOUNTED



A P P R O V E D
 Fixed Equipment Anchorage
 Office of Statewide Health Planning and Development

OPA-2515-10

Pre-approval Program Manager:
 Anthony R. Pike
 (916) 440-8470



Reviewed By: Jeffrey Kikumoto 3/2/12